



The Signature of Quality®

FEDERAL INDUSTRIES

A Standex Company
215 Federal Avenue
Belleville, WI 53508-9201
Phone: 800-356-4206
Fax: 608-424-3234
Email: geninfo@federalind.com
Website: www.federalind.com

Project Name: _____

Item #: _____

Model #: _____ Qty: _____

Approval: _____

AIA#

SIS#

SERIES '90 SELF-SERVE REFRIGERATED BAKERY OR DELI CASE

Series '90. The ultimate merchandiser with advanced styling for maximum visual appeal. Designed for continuous case line-ups.



MODEL	DIMENSIONS (Includes End Panels)
<input type="checkbox"/> SN4CDSS	48.25 x 41 x 34 (in) 1226 x 1041 x 864 (mm)
<input type="checkbox"/> SN6CDSS	72.25x 41 x 34 (in) 1835 x 1041 x 864 (mm)
<input type="checkbox"/> SN8CDSS	96.50 x 41 x 34 (in) 2451 x 1041 x 864 (mm)

STANDARD FEATURES

Model Features

- All-welded base construction with a choice of six standard laminates on base. Other finishes optional.
- Base trim: Specify white, black, or stainless.
- White display deck.
- White rear wrapping board.
- Adjustable Leg Levelers
- Easily accessible control panel with main power switch, light switch, digital thermometer, and adjustable temperature control.
- Energy-saving night curtain.

Refrigeration

- Pull-out condensing unit for quick and easy service.
- Condensate pump.
- Average product temperature of 38°F (3.3°C) to 40°F (4.4°C)
- R513a Refrigerant.

Lighting

- Fluorescent rear top lights. Lights are shielded.
- DLC Certified, IP66 rated.

Agency Approvals

- UL Safety and UL Sanitation Listed.
- DOE 2017 Compliant

OPTIONAL ACCESSORIES

- Special Base Finish
- Base Trim Specify White, Black, or Stainless
- Black or Stainless Steel Interior
- Black Rear Wrapping Board
- Legs
- Cord and Plug (Six Foot)
- Front Package Shelf With or Without Light Below
- Fish Case Package (Includes Ice Pan and Drain)
- Step Pan Holder or Riser
- Condensate Evaporator Assembly (Field Install, Separate 120V, 15A Circuit)



WARRANTY*
One year Parts and Labor
2nd thru 5th year part only service compressor
(U.S.A and Canada)

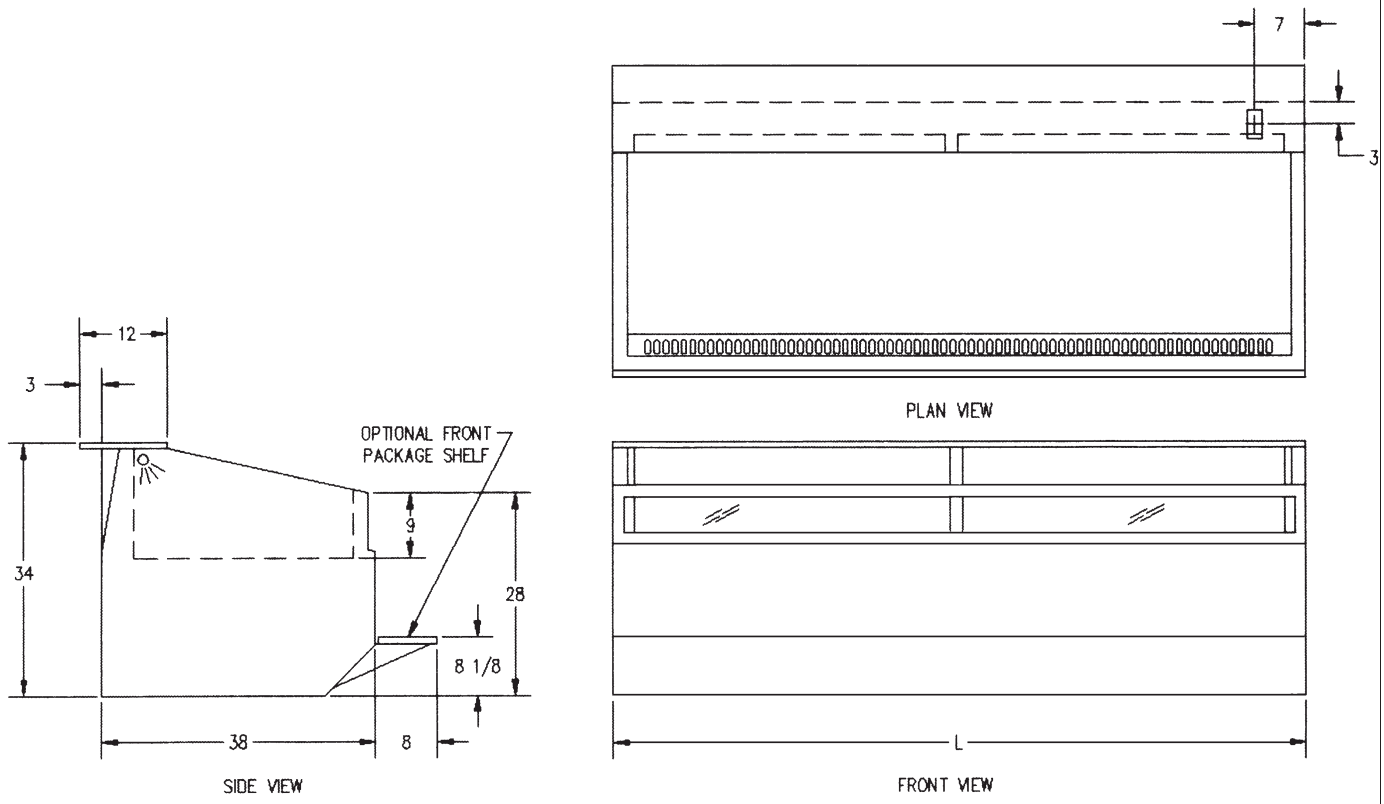
Note: Information is subject to change at any time. Visit www.federalind.com for the most current specs.

AIA#	SERIES '90 SELF-SERVE REFRIGERATED BAKERY OR DELI CASE
SIS#	Product Specifications

Intended Environment: Type I - Designed to operate in maximum ambient conditions of 75°F (24°C) and 55% relative humidity unless noted otherwise in system information below.

Zone	Intended Product To Be Displayed	Avg Prod Temp °F/°C
All	Packaged Refrigerated Products	38°F / (3.3°C)

DIMENSION: xx"/(mm)
 DIMENSION TOLERANCE +/- 0.19 (4.8)



MODEL	DIMENSIONS*				SHIPPING WHT		CAPACITY (STEP PANS)	* SELF-CONTAINED 120/60/1 Permanently Connected	NEMA Plug
	L	D	H1	UNITS	LBS	KILO			
SN4CDSS	48.25	41	34	in.	610	277	3	1/2 HP • 12 AMPS	NEMA 5-15p
	1226	1041	864	mm.					
SN6CDSS	72.25	41	34	in.	930	422	5	3/4 HP • 16 AMPS	NEMA 5-20p
	1835	1041	864	mm.					
SN8CDSS	96.5	41	34	in.	1065	483	7	3/4 HP • 16 AMPS	NEMA 5-20p
	2451	1041	864	mm.					

*A separate 120/60/1 15 amp circuit is required for condensate evaporator.

- If a GFCI circuit is required, a GFCI Breaker Must be used instead of GFCI receptacle
- Refrigerated cases are designed to operate in a maximum of 75°F (24°C) ambient and 55% relative humidity.
- Due to continuing engineering improvements, specifications are subject to change without notice.



FEDERAL INDUSTRIES
 A Standex Company
 215 Federal Avenue, Belleville, Wisconsin 53508-9201

Phone: 800-356-4206
Fax: 608-424-3234
Email: Geninfo@Federalind.com
Website: Federalind.com