



The Signature of Quality®

FEDERAL INDUSTRIES

A Standex Company
215 Federal Avenue
Belleville, WI 53508-9201

Phone: 800-356-4206
Fax: 608-424-3234
Email: geninfo@federalind.com
Website: www.federalind.com

Project Name: _____

Item #: _____

Model #: _____ Qty: _____

Approval: _____

AIA#

SIS#

HIGH VOLUME REFRIGERATED BAKERY CASE

MODEL	DIMENSIONS (Includes End Panels)
<input type="checkbox"/> SGR3142	30.13 x 35.31 x 42 (in) 765 x 897 x 1067 (mm)
<input type="checkbox"/> SGR3642	36.13 x 35.31 x 42 (in) 918 x 897 x 1067 (mm)
<input type="checkbox"/> SGR5042	50.13 x 35.31 x 42 (in) 1273 x 897 x 1067 (mm)
<input type="checkbox"/> SGR5942	59.13 x 35.31 x 42 (in) 1502 x 897 x 1067 (mm)
<input type="checkbox"/> SGR7742	77.13 x 35.31 x 42 (in) 1959 x 897 x 1067 (mm)

MODEL	DIMENSIONS (Includes End Panels)
<input type="checkbox"/> SGR3148	30.13 x 35.31 x 48 (in) 765 x 897 x 1219 (mm)
<input type="checkbox"/> SGR3648	36.13 x 35.31 x 48 (in) 918 x 897 x 1219 (mm)
<input type="checkbox"/> SGR5048	50.13 x 35.31 x 48 (in) 1273 x 897 x 1219 (mm)
<input type="checkbox"/> SGR5948	59.13 x 35.31 x 48 (in) 1502 x 897 x 1219 (mm)
<input type="checkbox"/> SGR7748	77.13 x 35.31 x 48 (in) 1959 x 897 x 1219 (mm)



SGR5042 Shown



SGR5948 Shown

Display more product and serve more customers with presentation and value in mind. Designed for continuous case line-ups without middle end glass.

STANDARD FEATURES

Model Features

- Tempered thermopane tilt-out front glass for easy cleaning. Front glass is sloped for high visual product display.
- Tempered thermopane glass top, ends, and doors.
- Removable sliding rear doors, shelf lights, shelf supports, and shelves.
- 31" has a swing door, hinged right or left.
- Steel base construction with a choice of six standard laminates on base. Other finishes optional.
- Removable, scratch-resistant, rustproof white display deck.
- Easily accessible light switch and adjustable temperature control.
- Average case temperature of 38° to 40° F is maintained.
- Rear access to the refrigeration system for quick and easy service.
- Designed for continuous line-ups.
- Black trim. Others optional
- Adjustable Leg Levelers

Refrigeration

- Condensate evaporator provided for a totally self-contained system.
- Oversized coil and low-velocity fan system maintains high humidity and product freshness.
- Easy clean, rustproof insulated evaporator coil compartment.
- Condenser air filter on self-contained units.
- Thermometer.
- R513a Refrigerant (R449a in Remote Applications)

Shelving

- Adjustable white wire shelves. Shelves are adjustable up and down and can also be tilted in three positions. 48" models have three tiers of shelves; 42" models have two tiers of shelves.

Lighting

- LED top light and shelf lights.

Agency Approvals

- UL Safety and UL Sanitation listed
- DOE 2017 Compliant

OPTIONAL ACCESSORIES

- | | |
|---|--|
| <input type="checkbox"/> Special Base Finish | <input type="checkbox"/> Legs |
| <input type="checkbox"/> Special Trim | <input type="checkbox"/> Cord & Plug |
| <input type="checkbox"/> Glass Shelves | <input type="checkbox"/> Top Cutting Board, White |
| <input type="checkbox"/> Rear Wrapping Board | <input type="checkbox"/> Package Shelf |
| <input type="checkbox"/> Casters/Cord & Plug Included
(Self-Contained Models Only) | <input type="checkbox"/> Light Below Package Shelf |
| <input type="checkbox"/> Remote Condensing Unit (EEV
Included) | <input type="checkbox"/> Black, Gold, or Chrome Wire Shelves |
| <input type="checkbox"/> Reflective Ends | <input type="checkbox"/> Front Glass and Rear Door Locks |
| <input type="checkbox"/> White or Mirrored Interior Ends
with Laminated Exterior | <input type="checkbox"/> Joining Kit for Continuous Line-ups |
| <input type="checkbox"/> Reflective Rear Doors | |



WARRANTY*
One year Parts and Labor
2nd thru 5th year part
only service compressor
(U.S.A and Canada)

Note: Information is subject to change at any time.
Visit www.federalind.com for the most current specs.

AIA#

HIGH VOLUME REFRIGERATED BAKERY CASE

SIS#

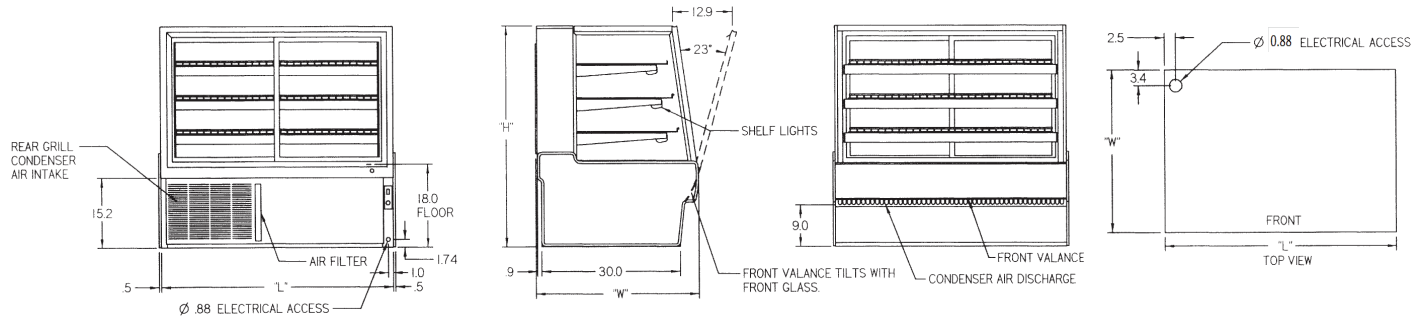
Product Specifications

Intended Environment: Type I - Designed to operate in maximum ambient conditions of 75°F (24°C) and 55% relative humidity unless noted otherwise in system information below.

Zone	Intended Product To Be Displayed	Avg Prod Temp °F/°C
All	Packaged Refrigerated Products	38°F / (3.3°C)

DIMENSION: xx"/(mm)

DIMENSION TOLERANCE +/- 0.25 (6.4)



MODEL	DIMENSIONS				SHIPPING WHT		CAPACITY (BAKERY PAN)	SELF-CONTAINED 120/60/1 Permanently Connected	REMOTE 120/60/1	NEMA PLUG
	L	D	H1	UNITS	LBS	KILO				
SGR3142	31.13	35.31	42	in.	460	207	3 (18" X 26") & 3 (9" X 26")	1/3 HP - 8.0 AMPS	2.1 AMPS	5-15p
	791	897	1067	mm.						
SGR3148	31.13	35.31	48	in.	500	227	4 (18" X 26") & 4 (9" X 26")	1/3 HP - 8.0 AMPS	2.1 AMPS	5-15p
	791	897	1219	mm.						
SGR3642	36.13	35.31	42	in.	470	213	3 (18" X 26") & 3 (9" X 26")	1/3 HP - 9.0 AMPS	2.3 AMPS	5-15p
	918	897	1067	mm.						
SGR3648	36.13	35.31	48	in.	510	231	4 (18" X 26") & 4 (9" X 26")	1/3 HP - 8.0 AMPS	2.3 AMPS	5-15p
	918	897	1219	mm.						
SGR5042	50.13	35.31	42	in.	615	279	6 (18" X 26") & 3 (9" X 26")	1/2 HP - 10.5 AMPS	2.3 AMPS	5-15p
	1273	897	1067	mm.						
SGR5048	50.13	35.31	48	in.	690	313	8 (18" X 26") & 4 (9" X 26")	1/2 HP - 10.5 AMPS	2.3 AMPS	5-15p
	1273	897	1219	mm.						
SGR5942	59.13	35.31	42	in.	730	331	9 (18" X 26")	1/2 HP - 11.6 AMPS	2.5 AMPS	5-15p
	1502	897	1067	mm.						
SGR5948	59.13	35.31	48	in.	765	347	12 (18" X 26")	1/2 HP - 11.6 AMPS	2.5 AMPS	5-15p
	1502	897	1219	mm.						
SGR7742	77.13	35.31	42	in.	890	404	12 (18" X 26")	3/4 HP - 14.2 AMPS	3.3 AMPS	5-20p
	1959	897	1067	mm.						
SGR7748	77.13	35.31	48	in.	930	422	16 (18" X 26")	3/4 HP - 14.2 AMPS	3.3 AMPS	5-20p
	1959	897	1219	mm.						

- If a GFCI circuit is required, a GFCI Breaker MUST be used instead of GFCI receptacle.
- Refrigerated cases are designed to operate in a maximum of 75°F (24°C) ambient and 55% relative humidity.
- Due to continuing engineering improvements, specifications are subject to change without notice.



The Signature of Quality®

FEDERAL INDUSTRIES

A Standex Company

215 Federal Avenue Belleville, Wisconsin 53508-9201

Phone: 800-356-4206

Fax: 608-424-3234

Email: Geninfo@Federalind.com

Website: Federalind.com