



The Signature of Quality

FEDERAL INDUSTRIES

A Standex Company
215 Federal Avenue
Belleville, WI 53508-9201

Phone: 800-356-4206
Fax: 608-424-3234
Email: geninfo@federalind.com
Website: www.federalind.com

Project Name: _____

Item #: _____

Model #: _____ Qty: _____

Approval: _____

AIA#

SIS#

HIGH VOLUME HOT DELI CASE

Display more product and serve more customers with presentation and value in mind. Designed for continuous case line-ups without middle end glass.



SG5948HD Shown

MODEL	DIMENSIONS (Includes End Panels)
<input type="checkbox"/> SG5048HD	50.13 x 35.31 x 48 (in) 1273 x 897 x 1219 (mm)
<input type="checkbox"/> SG5948HD	59.13 x 35.31 x 48 (in) 1502 x 897 x 1219 (mm)
<input type="checkbox"/> SG7748HD	77.13 x 35.31 x 48 (in) 1959 x 897 x 1219 (mm)

STANDARD FEATURES

Model Features

- Designed for wet or dry heat.
- Sloped tempered tilt-out front glass for easy cleaning.
- Tempered glass top, ends, and doors.
- Stainless steel deck.
- Steel base construction with a choice of six standard laminates on base. Other finishes optional.
- Removable sliding rear doors with moisture vents. The moisture vents and a forced air front-glass defogger prevent excess moisture buildup.
- Heating wells are one-piece stainless steel. Each well is heated with its own cal-rod heating element and is controlled by its own thermostat. Each well has a drain and valve.
- Top-mounted, full-length infrared heater provides uniform product temperature. Incandescent lighting provides even product illumination.
- Rear wrapping board.
- Each well holds a full-size pan.
- Black trim.
- Designed for continuous line-ups
- Adjustable Leg Levelers

Lighting

- Incandescent lighting provides even product illumination.

Agency Approvals

- UL Safety and UL Sanitation listed

OPTIONAL ACCESSORIES

- | | |
|------------------------------------------------------------------------------------------|--------------------------------------------------------------|
| <input type="checkbox"/> Special Base Finish | <input type="checkbox"/> Package Shelf |
| <input type="checkbox"/> Reflective Ends | <input type="checkbox"/> Light Below Package Shelf |
| <input type="checkbox"/> White Ends or Mirrored Interior
Ends with Laminated Exterior | <input type="checkbox"/> Front Glass and Rear Door |
| <input type="checkbox"/> Reflective Rear Doors | <input type="checkbox"/> Locks |
| <input type="checkbox"/> Legs | <input type="checkbox"/> Scale Platform |
| <input type="checkbox"/> Top Cutting Board, White | <input type="checkbox"/> Joining Kit for Continuous Line-ups |



WARRANTY*
One year Parts and Labor
2nd thru 5th year part
only service compressor
(U.S.A and Canada)

Note: Information is subject to change at any time.
Visit www.federalind.com for the most current specs.

AIA#

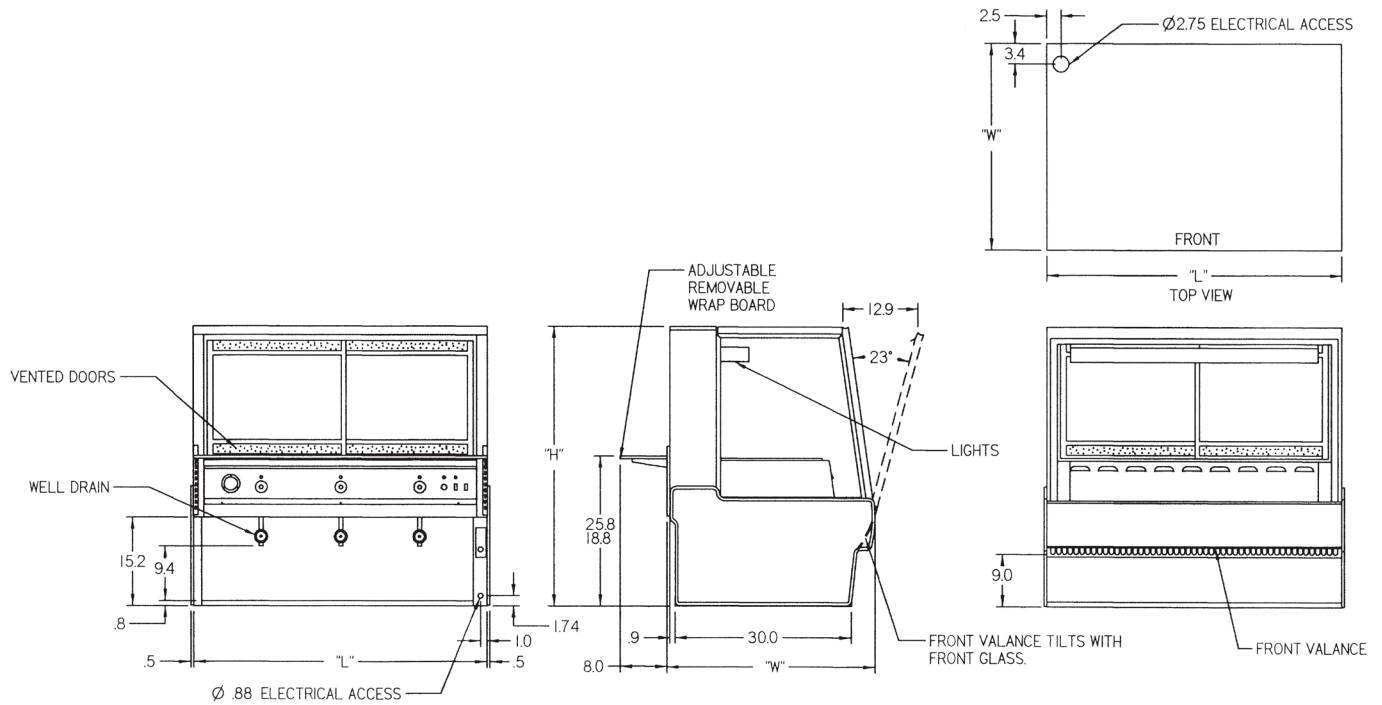
HIGH VOLUME HOT DELI CASE

SIS#

Product Specifications

DIMENSION: xx"/(mm)

DIMENSION TOLERANCE +/- 0.25 (6.4)



MODEL	DIMENSIONS				SHIPPING WHT		WELLS*	ELECTRICAL REQUIREMENTS 120/208 - 240/60/1 3-WIRE PLUS GROUND
	L	D	H1	UNITS	LBS	KILO		
SG5048HD	50.13	35.31	48	in.	535	243	3	19.6 AMPS
	1273	897	1219	mm.				
SG5948HD	59.13	35.31	48	in.	660	299	3	19.6 AMPS
	1502	897	1219	mm.				
SG7748HD	77.13	35.31	48	in.	800	363	5	32.3 AMPS
	1959	897	1219	mm.				

* Each well holds a full-size pan.

▪ Due to continuing engineering improvements, specifications are subject to change without notice.



The Signature of Quality®

FEDERAL INDUSTRIES

A Standex Company

215 Federal Avenue Belleville, Wisconsin 53508-9201

Phone: 800-356-4206

Fax: 608-424-3234

Email: Geninfo@Federalind.com

Website: Federalind.com