



The Signature of Quality®

**FEDERAL INDUSTRIES**

A Standex Company

215 Federal Avenue  
Belleville, Wisconsin 53508-9201

Phone: 800-356-4206

Fax: 608-424-3234

Email: Geninfo@Federalind.com

Website: Federalind.com

Project Name: \_\_\_\_\_

Item #: \_\_\_\_\_

Model #: \_\_\_\_\_ Qty: \_\_\_\_\_

Approval: \_\_\_\_\_

AIA #

SIS #

**Refrigerated Self-Serve High Profile Specialty Merchandiser – 78”H X 35”D**

Designed with impulse sales in mind. Get maximum return from an attention-grabbing merchandiser and increase profits.



Model RSSM678SC Shown

MODEL	DIMENSIONS (Includes End Panels)
<input type="checkbox"/> RSSM378SC	36 x 35.25 x 78 (in) 914 x 895 x 1981 (mm)
<input type="checkbox"/> RSSM478SC	47.25 x 35.25 x 78 (in) 1200 x 895 x 1981 (mm)
<input type="checkbox"/> RSSM578SC	59.25 x 35.25 x 78 (in) 1505 x 895 x 1981 (mm)
<input type="checkbox"/> RSSM678SC	71.25 x 35.25 x 78 (in) 1810 x 895 x 1981 (mm)
<input type="checkbox"/> RSSM878R	91.5 x 35.25 x 78 (in) 2324 x 895 x 1981 (mm)

**STANDARD FEATURES**

**Model Features**

- Welded powder coated steel base fabrication
- Choice of six standard laminates on exterior
- Black metal front grill and galvanized steel back.
- Silver Trim
- Stainless steel display deck, glass and black interior ends, black interior back panel
- Moisture resistant end panel construction with field replaceable tempered thermo-pane glass
- Front air intake / front & rear discharge
- Energy saving night curtain
- Adjustable Leg Levelers
- Condenser Air filter

**Refrigeration**

- Electronic temperature control with on demand defrost
- PTC Condensate heater provided for a totally self-contained system except for RSSM878R which comes with condensate pump
- Refrigeration controls maintain 38°-40°F (3.3°-4.4°C)  
Note: Case temperature will vary if the air curtain is disrupted.
- Insulated with high-density urethane foam
- Thermometer
- R449a refrigerant (R448a/R449a in Remote Applications)

**Shelving**

- Four tiers of adjustable black metal shelves with price tag molding. Shelves can be flat or slanted downwards at 10°

**Lighting**

- 3500K LED top light, DLC certified, IP 65 rated

**Agency Approvals**

- UL, C-UL and UL Sanitation listed to NSF-7, Type I conditions
- DOE 2017 compliant

**OPTIONAL ACCESSORIES**

- Special External Laminate Finish
- White Interior (Including Shelving)
- Stainless Steel Exterior Finish
- Stainless Steel Interior Back
- Stainless Steel Shelves
- Reflective End Glass
- Additional Lighted (LED) Shelf
- Deli Meat Pegs
- Sliding or Hinged Rear Access Doors
- Roll-up Security Cover (Square End Profile)
- Removable Security Cover
- Square End Profile
- LED Lights Below Shelves
- Rear Side Panel Extensions (6", 152mm)
- 2 1/2" (63.5mm) or 4" (101.6mm) Casters (Self Contained Models Only) Cord Included
- Legs, 6", (152mm)
- Skirt with Casters or Legs
- Cord and Plug (Self-Contained Models Only)
- Joining Kit for Continuous Line-Ups
- Condensate Evaporator Assembly (Field Install) (Separate 120V, 20A Circuit Required) (Remote Only)
- Remote Refrigeration With Condensate Pump (R449a Refrigerant, EEV Included)
- Rear Air Inlet & Outlet (Front Knee Wall Application)

\*Additional options available on the website and price list.



**WARRANTY\***  
One year Parts and Labor  
2nd thru 5th year part only  
service compressor  
(U.S.A. and Canada)

Note: Information is subject to change at any time. Visit [www.federalind.com](http://www.federalind.com) for the most current specs.

AIA #	<b>Refrigerated Self-Serve High Profile Specialty Merchandiser – 78”H X 35”D</b>
SIS #	<b>Product Specifications</b>

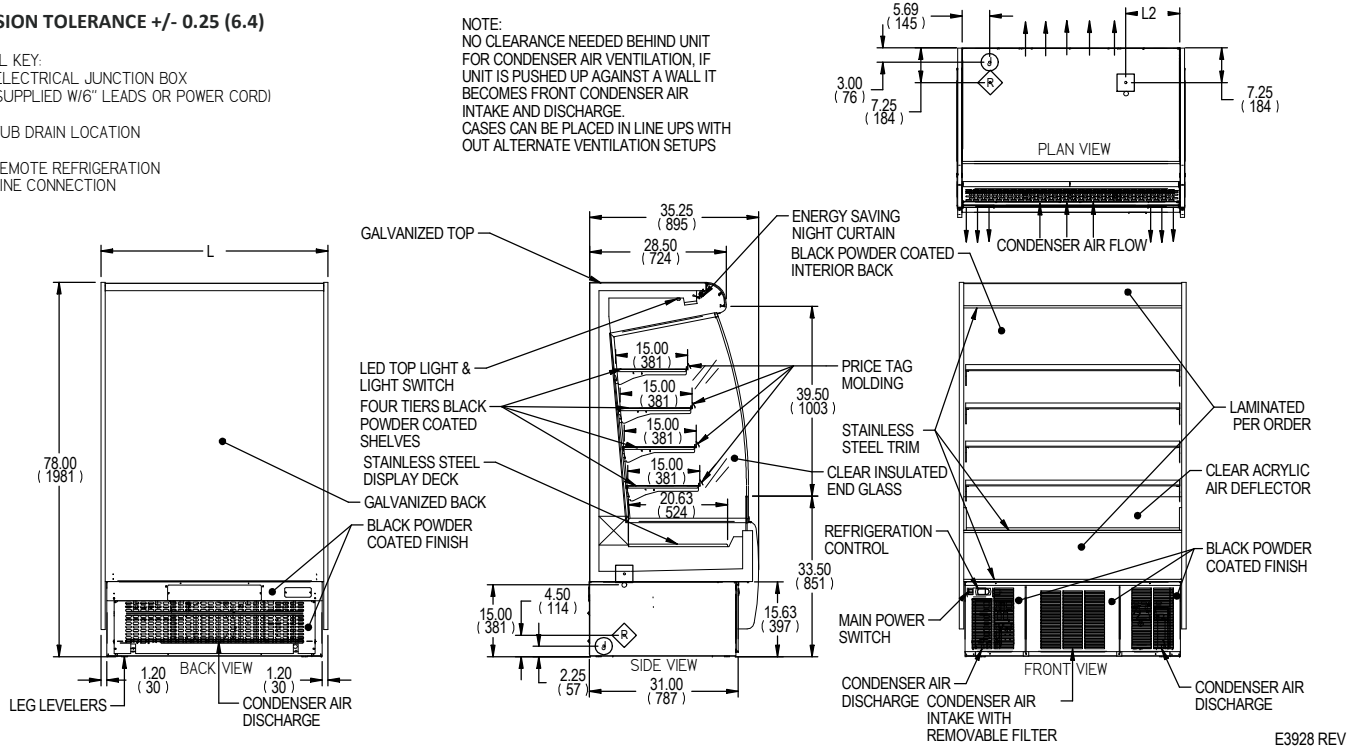
Intended Environment: Type I (Self Contained) - Designed to operate in maximum ambient conditions of 75°F (24°C) and 55% relative humidity. Type II (Remote) - Designed to operate in maximum ambient conditions of 80°F (24°C) and 55% relative humidity		
<b>Zone</b>	<b>Intended Product To Be Displayed</b>	<b>Avg Prod Temp °F/°C</b>
All	Packaged Refrigerated Products	38°F / (3.3°C)

**DIMENSION: xx"/(mm)**

**DIMENSION TOLERANCE +/- 0.25 (6.4)**

- SYMBOL KEY:
- ELECTRICAL JUNCTION BOX (SUPPLIED W/6" LEADS OR POWER CORD)
  - TUB DRAIN LOCATION
  - REMOTE REFRIGERATION LINE CONNECTION

NOTE:  
NO CLEARANCE NEEDED BEHIND UNIT FOR CONDENSER AIR VENTILATION. IF UNIT IS PUSHED UP AGAINST A WALL IT BECOMES FRONT CONDENSER AIR INTAKE AND DISCHARGE. CASES CAN BE PLACED IN LINE UPS WITH OUT ALTERNATE VENTILATION SETUPS



E3928 REV

MODEL	DIMENSIONS				TIERS	SHIPPING WEIGHT		SELF CONTAINED Permanently Connected		OPTIONAL NEMA PLUG	REMOTE		BTU @ 20 ° F
	L	D	H	UNITS		LBS	KILO	VOLTAGE	AMPS	CONFIG (SC)	VOLTAGE	AMPS	
RSSM378SC	36	35.25	78	in	4	785	356	208-240/60/1	MAX FUSE 20	6-20P	208-240/60/1	MAX FUSE 15	5400
	914	895	1981	mm									
RSSM478SC	47.25	35.25	78	in	4	875	397	208-240/60/1	MAX FUSE 20	6-20P	208-240/60/1	MAX FUSE 15	7500
	1200	895	1981	mm									
RSSM578SC	59.25	35.25	78	in	4	1110	503	208-240/60/1	MAX FUSE 30	6-20P	208-240/60/1	MAX FUSE 15	9000
	1505	895	1981	mm									
RSSM678SC	71.25	35.25	78	in	4	1170	531	208-240/60/1	MAX FUSE 30	6-20P	208-240/60/1	MAX FUSE 15	10500
	1810	895	1981	mm									
RSSM878R	91	35.25	78	in	4	1440	653	N/A	N/A	N/A	208-240/60/1	MAX FUSE 15	15000
	2318	895	1981	mm									

- Due to continuing engineering improvements, specifications are subject to change without notice.
- Case temperature will vary if the air curtain is disrupted.



**FEDERAL INDUSTRIES**  
A Standex Company  
215 Federal Avenue Belleville, Wisconsin 53508-9201

**Phone:** 800-356-4206  
**Fax:** 608-424-3234  
**Email:** Geninfo@Federalind.com  
**Website:** Federalind.com