



The Signature of Quality®

FEDERAL INDUSTRIES

A Standex Company
215 Federal Avenue
Belleville, WI 53508-9201

Phone: 800-356-4206
Fax: 608-424-3234
Email: geninfo@federalind.com
Website: www.federalind.com

Project Name: _____

Item #: _____

Model #: _____ Qty: _____

Approval: _____

AIA#

SIS#

REFRIGERATED SELF-SERVE HIGH PROFILE DAIRY MERCHANDISER 78"H x 35" D

Designed with impulse sales in mind. Get maximum return from an attention-grabbing merchandiser and increase profits.



Model RSSD478SC Shown

MODEL	DIMENSIONS (Includes End Panels)
<input type="checkbox"/> RSSD378SC	36 x 35.25 x 78 (in) 914 x 895 x 1981 (mm)
<input type="checkbox"/> RSSD478SC	47.25 x 35.25 x 78 (in) 1200 x 895 x 1981 (mm)
<input type="checkbox"/> RSSD678SC	71.25 x 35.25 x 78 (in) 1810 x 895 x 1981 (mm)
<input type="checkbox"/> RSSD878R	91.81 x 35.25 x 78 (in) 2332 x 895 x 1981 (mm)

STANDARD FEATURES

Model Features

- Choice of six standard laminates on exterior. Other color laminates optional. Black metal front grill and galvanized back.
- Silver trim and black optional.
- Stainless steel display deck, glass and white interior ends, white interior back panel.
- Automatic defrost.
- Energy saving night curtain.
- Insulated with high-density urethane foam.
- Continuous line-ups are available for remote applications.
- The rear of the unit needs to be 6" from wall
- Front air intake / Front and Rear Discharge
- Condenser Air Filter
- Adjustable Leg Levelers

Refrigeration

- Electronic Temperature Control with on demand defrost
- Refrigeration controls maintain 35° to 40°F. Note: Case temperature will vary if the air curtain is disrupted
- Average product temperature of 38°F (3.3°C) to 40°F (4.4°C). Note: Case temperature will vary if the air curtain is disrupted.
- Thermometer.
- R449a Refrigeration

Shelving

- Four tiers of adjustable white metal shelves with price tag molding. Shelves can be flat or slanted.

Lighting

- 3500K LED Top light Vertical LED lights.
- DLC Certified, IP66 rated.

Agency Approvals

- UL, C-UL and UL Sanitation listed to NSF-7, Type I conditions
- DOE 2017 compliant

OPTIONAL ACCESSORIES

- Special Laminate
- Removable Night Cover
- Joining Kit for Continuous Line-ups
- Rear Access Doors
- Black Trim
- Black Interior
- 2 1/2" (63.5 mm) or 4" (101.6mm) Casters (Self Contained Models Only) Cord Included
- Cord & Plug (Self-Contained Models Only)
- 6" Legs
- Remote Refrigeration with Condensate Pump (EEV Included)
- Condensate Evaporator Assembly (Field Install) (Separate 120V, 20A Circuit Required) (Remote Only)



WARRANTY*
One year Parts and Labor
2nd thru 5th year part only service compressor
(U.S.A and Canada)

Note: Information is subject to change at any time. Visit www.federalind.com for the most current specs.

AIA#	REFRIGERATED SELF-SERVE HIGH PROFILE DAIRY MERCHANDISER 78"H x 35" D
SIS#	Product Specifications

Intended Environment: Type I - Designed to operate in maximum ambient conditions of 75°F (24°C) and 55% relative humidity unless noted otherwise in system information below.

Zone	Intended Product To Be Displayed	Avg Prod Temp °F/°C
All	Packaged Refrigerated Products	38°F / (3.3°C)

DIMENSION: xx"/(mm)

DIMENSION TOLERANCE +/- 0.19 (4.8)

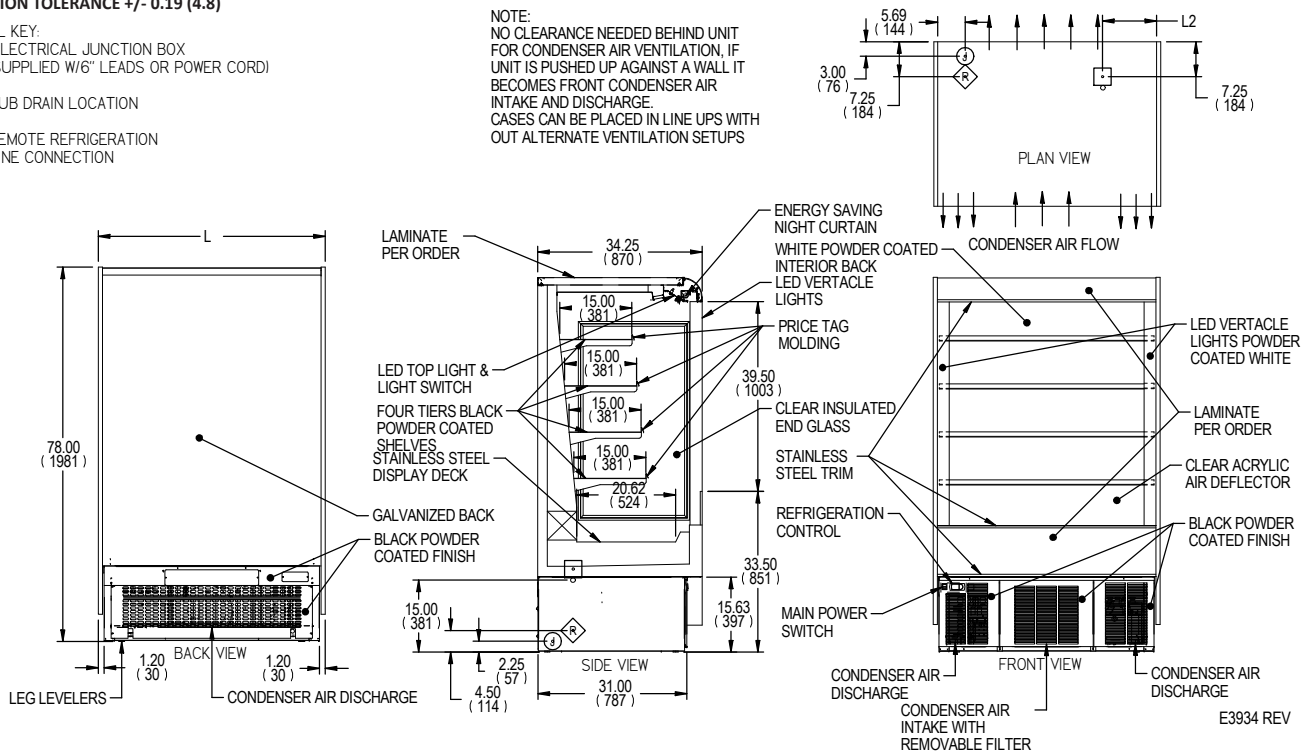
SYMBOL KEY:

Ⓧ ELECTRICAL JUNCTION BOX (SUPPLIED W/6' LEADS OR POWER CORD)

Ⓣ TUB DRAIN LOCATION

Ⓡ REMOTE REFRIGERATION LINE CONNECTION

NOTE:
NO CLEARANCE NEEDED BEHIND UNIT FOR CONDENSER AIR VENTILATION, IF UNIT IS PUSHED UP AGAINST A WALL IT BECOMES FRONT CONDENSER AIR INTAKE AND DISCHARGE. CASES CAN BE PLACED IN LINE UPS WITH OUT ALTERNATE VENTILATION SETUPS



MODEL	DIMENSIONS				TIERS	SHIPPING WEIGHT		SELF CONTAINED Permanently Connected		OPTIONAL NEMA PLUG	REMOTE		BTU @ 20°F
	L	D	H	UNITS		LBS	KILO	VOLTAGE	AMPS	CONFIG (SC)	VOLTAGE	AMPS	
RSSD378SC	36	35.25	78	in	4	785	356	208-240/60/1	MAX FUSE 20	6-20p	208-240/60/1	MAX FUSE 15	5400
	914	895	1981	mm									
RSSD478SC	47.25	35.25	78	in	4	875	397	208-240/60/1	MAX FUSE 20	6-20p	208-240/60/1	MAX FUSE 15	7500
	1200	895	1981	mm									
RSSD678SC	71.25	35.25	78	in	4	1170	531	208-240/60/1	MAX FUSE 30	6-20p	208-240/60/1	MAX FUSE 15	9000
	1810	895	1981	mm									
RSSD878R	91.25	35.25	78	in	4	1440	653	N/A	N/A	N/A	208-240/60/1	MAX FUSE 15	10500
	2318	895	1981	mm									

- Due to continuing engineering improvements, specifications are subject to change without notice.
- Case temperature will vary if the air curtain is disrupted.



FEDERAL INDUSTRIES
A Standex Company
215 Federal Avenue Belleville, Wisconsin 53508-9201

Phone: 800-356-4206
Fax: 608-424-3234
Email: Geninfo@Federalind.com
Website: Federalind.com