



The Signature of Quality

FEDERAL INDUSTRIES

A Standex Company

215 Federal Avenue Belleville
Wisconsin 53508-9201

Phone: 800-356-4206

Fax: 608-424-3234

Email: Geninfo@Federalind.com

Website: Federalind.com

Project Name: _____

AIA #

Item #: _____

Model #: _____ Qty: _____

SIS #

Approval: _____

Italian Glass Non-Refrigerated Counter Display Case

Designed for customers looking for rich, up-scale Italian styling for maximum visual appeal that will drive product sales.



Model ITD4826 Shown
*Counter Not Provided

MODEL	DIMENSIONS (Includes End Panels)
<input type="checkbox"/> ITD3626	36 x 30 x 26 (in) 914 x 762 x 661 (mm)
<input type="checkbox"/> ITD4826	48 x 30 x 26 (in) 1219 x 762 x 661 (mm)
<input type="checkbox"/> ITD6026	60 x 30 x 26 (in) 1524 x 762 x 661 (mm)
<input type="checkbox"/> ITD3634	36 x 30 x 34 (in) 914 x 762 x 864 (mm)
<input type="checkbox"/> ITD4834	48 x 30 x 34 (in) 1219 x 762 x 864 (mm)
<input type="checkbox"/> ITD6034	60 x 30 x 34 (in) 1524 x 762 x 864 (mm)

STANDARD FEATURES

Model Features

- All tempered glass construction
- Tilt-out front glass for easy cleaning
- Removable sliding glass rear doors
- Stainless steel interior
- Cord & Plug

Shelving

- Adjustable tempered glass shelves. Shelves are adjustable up and down and can be tilted in two positions (0°/5° angle)
- 34" (864mm) models have three tiers of shelves; 26" (660 mm) models have two tiers of shelves

Lighting

- 3500K LED top light and shelf lights
- DLC certified, IP66 rated

Agency Approvals

- UL and UL Sanitation Listed to NSF-2
- DOE 2017 Compliant.

OPTIONAL ACCESSORIES

- o o o
- k k)
- k -
- K M # O

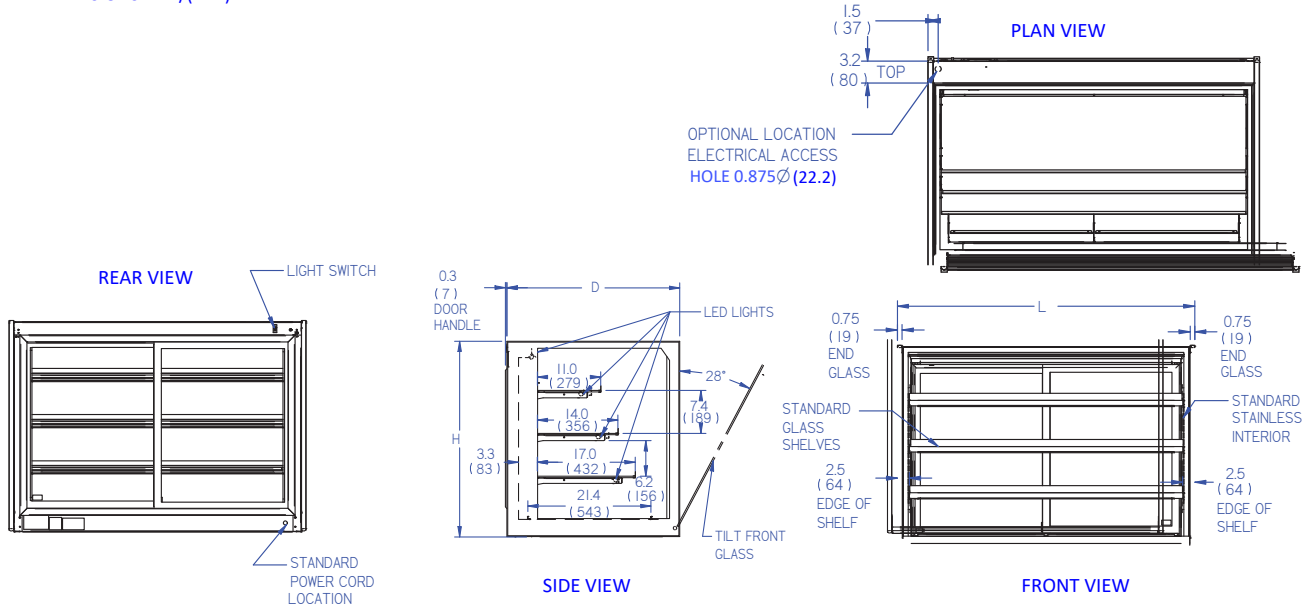


Note: Information is subject to change at any time. Visit www.federalind.com For the most current specs.

AIA #	<h1>Italian Glass Non-Refrigerated Counter Display Case</h1>
SIS #	Product Specifications

Zone	Intended product to be displayed	Avg prod temp °F / °C
All	Non-refrigerated food products	N / A

DIMENSIONS: xx"/(mm)



E375I-2

DIMENSION TOLERANCE +/-0.19 (4.8)

MODEL	DIMENSIONS				SHIPPING WHT		VOLTAGE	AMPS	NEMA PLUG
	L	D	H	UNITS	LBS	KILO			
ITD3626	36	30	26	in.	250	113	120/60/1	MAX FUSE 15	NEMA 5-15P
	914	762	661	mm.					
ITD4826	48	30	26	in.	325	147	120/60/1	MAX FUSE 15	NEMA 5-15P
	1219	762	661	mm.					
ITD6026	60	30	26	in.	450	204	120/60/1	MAX FUSE 15	NEMA 5-15P
	1524	762	661	mm.					
ITD3634	36	30	34	in.	275	125	120/60/1	MAX FUSE 15	NEMA 5-15P
	914	762	864	mm.					
ITD4834	48	30	34	in.	350	159	120/60/1	MAX FUSE 15	NEMA 5-15P
	1219	762	864	mm.					
ITD6034	60	30	34	in.	475	216	120/60/1	MAX FUSE 15	NEMA 5-15P
	1524	762	864	mm.					

• Due to continuing engineering improvements, specifications are subject to change without notice.



FEDERAL INDUSTRIES
 A Standex Company
 215 Federal Avenue Belleville, Wisconsin 53508-9201

Phone: 800-356-4206
Fax: 608-424-3234
Email: Geninfo@Federalind.com
Website: Federalind.com