



The Signature of Quality®

**FEDERAL INDUSTRIES**

A Standex Company

215 Federal Avenue  
Belleville, Wisconsin 53508-9201

**Phone:** 800-356-4206

**Fax:** 608-424-3234

**Email:** Geninfo@Federalind.com

**Website:** Federalind.com

Project Name: \_\_\_\_\_

Item #: \_\_\_\_\_

Model #: \_\_\_\_\_ Qty: \_\_\_\_\_

Approval: \_\_\_\_\_

AIA #

SIS #

**ELEMENTS™ REFRIGERATED SELF-SERVE ISLAND MERCHANDISER**

Designed with impulse sales in mind. Get maximum return and increased profits with shop-around merchandising.



Model EIMSS84SC-3 Shown  
\*Black Exterior Finish Only

**OPTIONAL ACCESSORIES**

- High Capacity Condensate Evaporator Assembly (Field Installed)
  - Requires the removal of the standard Evaporator Assembly shipped with unit, and a separate 208-240V / 20 amp circuit.
- 7 @ # M o o

| MODEL                                | DIMENSIONS<br><small>(Includes End Panels)</small> |
|--------------------------------------|--|
| <input type="checkbox"/> EIMSS60SC-3 | 60 x 40 x 60 (in)<br>1524 x 1016 x 1524 (mm)       |
| <input type="checkbox"/> EIMSS84SC-3 | 84 x 40 x 60 (in)<br>2134 x 1016 x 1524 (mm)       |

**STANDARD FEATURES**

**Model Features**

- Black metal base, interior and canopy.
- Air Deflector
- Easily accessible light switch and temperature control
- Insulated with high-density foam
- Adjustable leg levelers
- Wired for either top or bottom mount electrical connections

**Refrigeration**

- Condensate evaporator provided for a totally self-contained system
- Easy clean, rust-proof insulated evaporator coil compartment
- Refrigeration controls maintain 38°-40°F. Note: Case temperature will vary if the air curtain is disrupted
- R449a Refrigerant
- Thermometer

**Shelving**

- Adjustable black metal shelves, three tiers

**Lighting**

- LED top and undershelf lighting
- ..
- UL Safety and UL Sanitation Listed to NSF Standard
- DOE 2017 Compliant



**WARRANTY\***  
One year Parts and Labor  
2nd thru 5th year part only  
service compressor  
(U.S.A. and Canada)

**Note: Information is subject to change at any time. Visit [www.federalind.com](http://www.federalind.com) for the most current specs.**

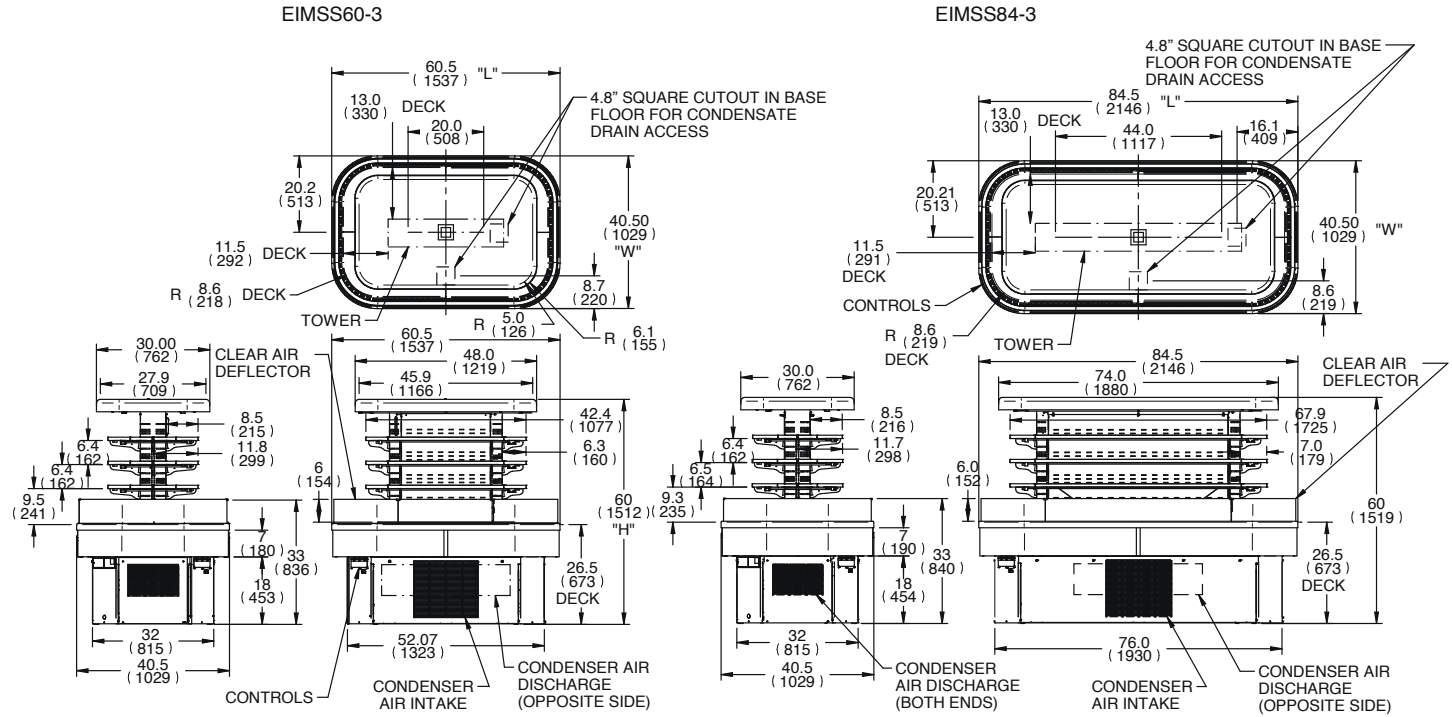
|       |  |
|-------|--|
| AIA # | <b>ELEMENTS™ REFRIGERATED SELF-SERVE ISLAND MERCHANDISER</b> |
| SIS # | Product Specifications                                       |

Intended Environment: Type I - Designed to operate in maximum ambient conditions of 75°F [24°C] and 55% relative humidity unless noted otherwise in system information below.

| Zone | Intended Product To Be Displayed | Avg prod temp °F / °C |
|------|----------------------------------|-----------------------|
| All  | Packaged Refrigerated Products   | 38 °F / [3.3 °C]      |

**DIMENSION: xx"/(mm)**

**DIMENSION TOLERANCE +/- 0.25(6.4)**



| MODEL       | DIMENSIONS |      |      |       | DISPLAY AREA (SQ. FT.) | SHIPPING WEIGHT |      | SELF CONTAINED WITH CONDENSATE PAN |         | H.P.     |
|-------------|------------|------|------|-------|------------------------|-----------------|------|------------------------------------|---------|----------|
|             | L          | D    | H1   | UNITS |                        | LBS             | KILO | VOLTAGE                            | AMPS    |          |
| EIMSS60SC-3 | 60         | 40   | 60   | in    | 3 TIERS - 31.3         | 910             | 413  | 208-240/60/1                       | 30 AMPS | 1-1/2 HP |
|             | 1524       | 1016 | 1524 | mm    |                        |                 |      |                                    |         |          |
| EIMSS84SC-3 | 84         | 40   | 60   | in    | 3 TIERS - 41.4         | 1375            | 624  | 208-240/60/1                       | 30 AMPS | 1-3/4 HP |
|             | 2134       | 1016 | 1524 | mm    |                        |                 |      |                                    |         |          |

- Case temperature will vary if the air curtain disrupted
- Refrigerated cases are designed to operate in a maximum of 75°F [24°C] ambient and 55% relative humidity.
- Due to continuing engineering improvements, specifications are subject to change without notice.



**FEDERAL INDUSTRIES**  
 A Standex Company  
 215 Federal Avenue, Belleville, Wisconsin 53508-9201

**Phone:** 800-356-4206  
**Fax:** 608-424-3234  
**Email:** Geninfo@Federalind.com  
**Website:** Federalind.com