



The Signature of Quality

FEDERAL INDUSTRIES

A Standex Company
215 Federal Avenue
Belleville, WI 53508-9201

Phone: 800-356-4206
Fax: 608-424-3234
Email: geninfo@federalind.com
Website: www.federalind.com

Project Name: \_\_\_\_\_

Item #: \_\_\_\_\_

Model #: \_\_\_\_\_ Qty: \_\_\_\_\_

Approval: \_\_\_\_\_

AIA#

SIS#

CURVED GLASS REFRIGERATED DELI CASE

Sleek curved-glass styling blends with traditional design elements to maximize performance. Designed for continuous case line-ups without middle end glass.



Table with 2 columns: MODEL and DIMENSIONS (Includes End Panels). Rows include CGR3648CD, CGR5048CD, CGR5948CD, and CGR7748CD with their respective dimensions in inches and millimeters.

STANDARD FEATURES

Model Features

- Curved glass styling.
Removable rear wrapping board.
Tempered thermopane tilt-out front glass for easy cleaning.
Tempered thermopane glass ends and doors.
Removable sliding rear doors, shelf light, shelf supports, and shelf.
Steel base construction with a choice of six standard laminates on base.
Condenser air filter on self-contained units.
Thermometer.
Removable, scratch-resistant, rustproof white display deck.
Easily accessible light switch and adjustable temperature control.
Rear access of the refrigeration system for quick and easy service.
Black trim.
Designed for continuous line-ups.
Adjustable Leg Levelers

Refrigeration

- Condensate evaporator provided for a totally self-contained system.
Oversized coil and low-velocity fan system maintains high humidity and product freshness.
Easy clean, rustproof insulated evaporator coil compartment.
Average case temperature of 36° to 38° is maintained.
R513a Refrigerant (R449a in Remote Applications)

Shelving

- Adjustable full-length stainless steel lighted mezzanine shelf. Shelf is adjustable up and down and can also be tilted in three positions.

Lighting

- 3000K LED top light and shelf lights.
DLC Certified, IP66 rated

Agency Approvals

- UL Safety and UL Sanitation listed
DOE 2017 Compliant

OPTIONAL ACCESSORIES

- Special Base Finish
Additional Mezzanine Shelf
Cord & Plug
Remote Refrigeration (EEV Included)
Reflective Ends
White or Mirrored Interior Ends With Laminated Exterior
Casters (Self-Contained Models Only) Cord & Plug Included
Reflective Rear Doors
Legs
Top Cutting Board, White
Package Shelf
LED Light Below Package Shelf
Front Glass and Rear Door Locks
Joining Kit for Continuous Line-ups
Scale Stand
Step Riser or Pan Holder
Glass Mezzanine Shelf
Additional Mezzanine Shelf



WARRANTY\*
One year Parts and Labor
2nd thru 5th year part only service compressor
(U.S.A and Canada)

Note: Information is subject to change at any time. Visit www.federalind.com for the most current specs.

AIA#

**CURVED GLASS REFRIGERATED DELI CASE**

SIS#

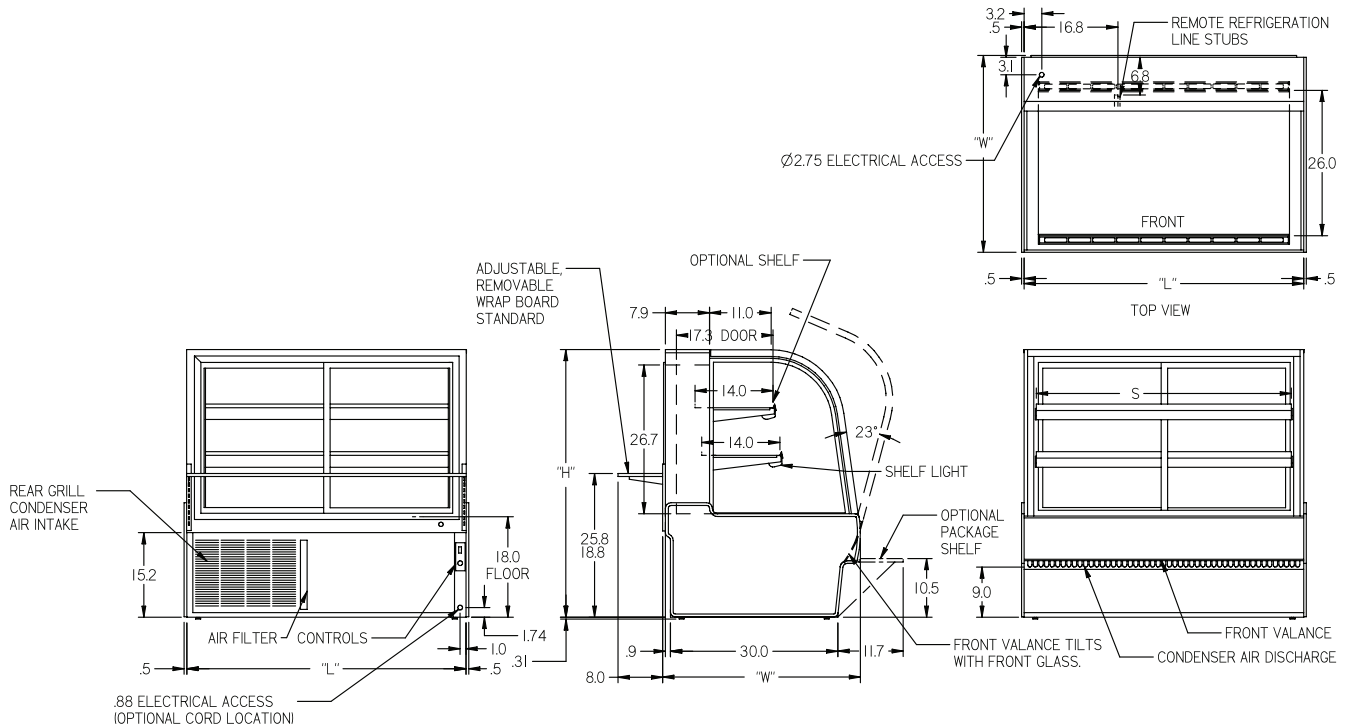
**Product Specifications**

Intended Environment: Type I - Designed to operate in maximum ambient conditions of 75°F (24°C) and 55% relative humidity unless noted otherwise in system information below.

Zone	Intended Product To Be Displayed	Avg Prod Temp °F/°C
All	Packaged Refrigerated Products	38°F / (3.3°C)

DIMENSION: xx"/(mm)

DIMENSION TOLERANCE +/- 0.25 (6.4)



MODEL	DIMENSIONS				SHIPPING WHT		CAPACITY (STEP RISERS)	SELF-CONTAINED 120/60/1 Permanently Connected	REMOTE 120/60/1	OPTIONAL NEMA PLUG
	L	D	H1	UNITS	LBS	KILO				
CGR3648CD	36.13	35.31	48	in.	470	213	2	1/3 HP - 8.0 AMPS	2.3 AMPS	5-15p
	918	897	1219	mm.						
CGR5048CD	50.13	35.31	48	in.	620	281	3	1/2 HP - 10.5 AMPS	2.3 AMPS	5-15p
	1273	897	1219	mm.						
CGR5948CD	59.13	35.31	48	in.	650	295	4	1/2 HP - 12.0 AMPS	2.5 AMPS	5-15p
	1502	897	1219	mm.						
CGR7748CD	77.13	35.31	48	in.	870	395	6	3/4 HP - 15.4 AMPS	3.3 AMPS	5-20p
	1959	897	1219	mm.						

- If a GFCI circuit is required, a GFCI Breaker MUST be used instead of GFCI receptacle.
- Refrigerated cases are designed to operate in a maximum of 75°F (24°C) ambient and 55% relative humidity.
- Due to continuing engineering improvements, specifications are subject to change without notice.



The Signature of Quality®

**FEDERAL INDUSTRIES**

A Standex Company

215 Federal Avenue Belleville, Wisconsin 53508-9201

**Phone:** 800-356-4206

**Fax:** 608-424-3234

**Email:** Geninfo@Federalind.com

**Website:** Federalind.com