



The Signature of Quality®

**FEDERAL INDUSTRIES**

A Standex Company  
215 Federal Avenue  
Belleville, WI 53508-9201

Phone: 800-356-4206  
Fax: 608-424-3234  
Email: geninfo@federalind.com  
Website: www.federalind.com

Project Name: \_\_\_\_\_

Item #: \_\_\_\_\_

Model #: \_\_\_\_\_ Qty: \_\_\_\_\_

Approval: \_\_\_\_\_

AIA#

SIS#

## CURVED GLASS NON-REFRIGERATED BAKERY CASE

Sleek curved-glass styling blends with traditional design elements to maximize performance. Designed for continuous case line-ups without middle end glass.



| MODEL                                   | DIMENSIONS<br>( Includes End Panels )             |
|---|---|
| <input type="checkbox"/> <b>CGD3148</b> | 31.13 x 35.31 x 48 (in)<br>791 x 897 x 1219 (mm)  |
| <input type="checkbox"/> <b>CGD3642</b> | 36.13 x 35.31 x 42 (in)<br>918 x 897 x 1067 (mm)  |
| <input type="checkbox"/> <b>CGD3648</b> | 36.13 x 35.31 x 48 (in)<br>918 x 897 x 1219 (mm)  |
| <input type="checkbox"/> <b>CGD5042</b> | 50.13 x 35.31 x 42 (in)<br>1273 x 897 x 1067 (mm) |
| <input type="checkbox"/> <b>CGD5048</b> | 50.13 x 35.31 x 48 (in)<br>1273 x 897 x 1219 (mm) |
| <input type="checkbox"/> <b>CGD5942</b> | 59.13 x 35.31 x 42 (in)<br>1502 x 897 x 1067 (mm) |
| <input type="checkbox"/> <b>CGD5948</b> | 59.13 x 35.31 x 48 (in)<br>1502 x 897 x 1219 (mm) |
| <input type="checkbox"/> <b>CGD7742</b> | 77.13 x 35.31 x 42 (in)<br>1959 x 897 x 1067 (mm) |
| <input type="checkbox"/> <b>CGD7748</b> | 77.13 x 35.31 x 48 (in)<br>1959 x 897 x 1219 (mm) |

### STANDARD FEATURES

#### Model Features

- Curved glass styling.
- Tempered tilt-out front glass for easy cleaning. Front glass is curved for high visual product display.
- Tempered glass ends and doors.
- Removable sliding rear doors, shelf lights, shelf supports, and shelves.
- 31" and 36" have two swing doors.
- Steel base construction with a choice of six standard laminates on base. Other finishes optional.
- Scratch-resistant, corrosion-proof white vented display deck.
- Designed for continuous line-ups.
- Black trim.
- Adjustable Leg Levelers

#### Shelving

- Adjustable white wire shelves. Shelves are adjustable up and down and can also be tilted in three positions. 48" models have three tiers of shelves; 42" models have two tiers of shelves.

#### Lighting

- 3500K LED top light and shelf lights.
- DLC Certified, IP66 rated

#### Agency Approvals

- UL Safety and UL Sanitation listed
- DOE 2017 Compliant.

### OPTIONAL ACCESSORIES

- Special Base Finish
- Rear Wrapping Board
- Cord & Plug (NEMA 5-15P)
- Fan Kit
- Glass, Black, Gold, or Chrome Shelves
- Reflective Ends
- White or Mirrored Interior  
Ends with Laminated Exterior
- Reflective Rear Doors
- Casters (Cord & Plug Included)
- Top Cutting Board, White
- Package Shelf
- Light Below Package Shelf
- Front Glass & Rear Door Locks
- Joining Kit for Continuous Line-ups
- Hot Display Packages
- Legs

#### WARRANTY\*

One year Parts and Labor  
2nd thru 5th year part  
only service compressor  
(U.S.A and Canada)

Note: Information is subject to change at any time.  
Visit [www.federalind.com](http://www.federalind.com) for the most current specs.

Revised 02/17/2020



AIA#

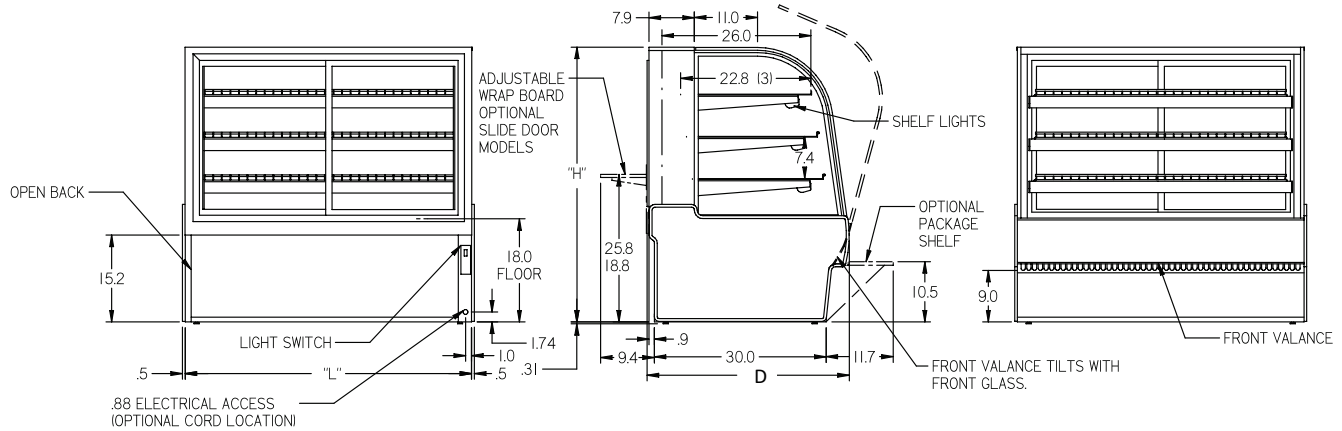
# CURVED GLASS NON-REFRIGERATED BAKERY CASE

SIS#

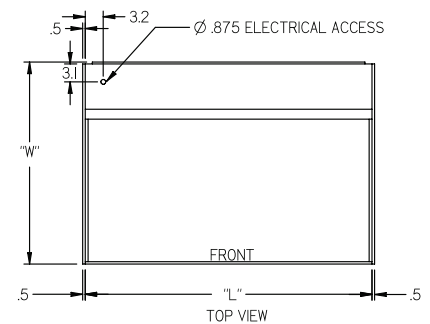
## Product Specifications

DIMENSION: xx"/(mm)

DIMENSION TOLERANCE +/- 0.25 (6.4)



| MODEL   | DIMENSIONS |       |      |       | CAPACITY<br>(BAKERY PAN)        | REMOTE<br>120/60/1 |
|---------|------------|-------|------|-------|---------------------------------|--------------------|
|         | L          | D     | H1   | UNITS |                                 |                    |
| CGD3148 | 31.13      | 35.31 | 48   | in.   | 4 (18" X 26") &<br>4 (9" X 26") | 1.5 AMPS           |
|         | 791        | 897   | 1219 | mm.   |                                 |                    |
| CGD3642 | 36.13      | 35.31 | 42   | in.   | 3 (18" X 26") &<br>3 (9" X 26") | 1.5 AMPS           |
|         | 918        | 897   | 1067 | mm.   |                                 |                    |
| CGD3648 | 36.13      | 35.31 | 48   | in.   | 4 (18" X 26") &<br>4 (9" X 26") | 1.5 AMPS           |
|         | 918        | 897   | 1219 | mm.   |                                 |                    |
| CGD5042 | 50.13      | 35.31 | 42   | in.   | 6 (18" X 26") &<br>3 (9" X 26") | 1.5 AMPS           |
|         | 1273       | 897   | 1067 | mm.   |                                 |                    |
| CGD5048 | 50.13      | 35.31 | 48   | in.   | 8 (18" X 26") &<br>4 (9" X 26") | 1.5 AMPS           |
|         | 1273       | 897   | 1219 | mm.   |                                 |                    |
| CGD5942 | 59.13      | 35.31 | 42   | in.   | 9 (18" X 26")                   | 1.5 AMPS           |
|         | 1502       | 897   | 1067 | mm.   |                                 |                    |
| CGD5948 | 59.13      | 35.31 | 48   | in.   | 12 (18" X 26")                  | 1.5 AMPS           |
|         | 1502       | 897   | 1219 | mm.   |                                 |                    |
| CGD7742 | 77.13      | 35.31 | 42   | in.   | 12 (18" X 26")                  | 1.5 AMPS           |
|         | 1959       | 897   | 1067 | mm.   |                                 |                    |
| CGD7748 | 77.13      | 35.31 | 48   | in.   | 16 (18" X 26")                  | 1.5 AMPS           |
|         | 1959       | 897   | 1219 | mm.   |                                 |                    |



- If a GFCI circuit is required, a GFCI Breaker MUST be used instead of GFCI receptacle.
- Due to continuing engineering improvements, specifications are subject to change without notice.



The Signature of Quality®

**FEDERAL INDUSTRIES**

A Standex Company

215 Federal Avenue Belleville, Wisconsin 53508-9201

Phone: 800-356-4206

Fax: 608-424-3234

Email: [Geninfo@Federalind.com](mailto:Geninfo@Federalind.com)

Website: [Federalind.com](http://Federalind.com)