

DOYON

MODELS:
SM
CPF

BREAD SLICERS



CPF SERIES BREAD SLICER

DESCRIPTION

Doyon's CPF Series are the most effective bread slicer on today's market. Slice up to 100 loaves per hour. It comes with a standard packing shelf and crumb drawer. Push the handle, put your bread and release the handle, slicer blades automatically start, breads are pushed through with a safety loaf pusher that passes each loaf completely through the slicer blades. The motor stops automatically when the loaf is sliced.

FEATURES, BENEFITS & WARRANTY

- Slices thickness:

Bread maximum length 17 5/16" (440mm)

- CPF412: 1/2" (12mm)

- CPF416: 5/8" (16mm)

- CPF418: 3/4" (19mm)

- CPF422: 7/8" (22mm)

Bread maximum length 20 1/2" (520mm)

- CPF512: 1/2" (12mm)

- CPF516: 5/8" (16mm)

- CPF518: 3/4" (18mm)

- Floor model
- Crumb drawer is included
- Includes device for bagging breads
- Capacity of up to 100 loaves per hour
- 4 casters (2 with locks)
- Motor only operates while cutting and automatically stops after bread has been cut
- Mechanically assisted infeed
- Progressive traction level
- Two years parts and one year labor warranty



CPF412



CPF416



CPF422



CPF512



CPF516



CPF518

SM SERIES BREAD SLICER

DESCRIPTION

The Doyon SM Series bread slicer is simply your best buy for slicing up to 240 loaves per hour and saving space. It comes with a standard packing shelf on top and a loaf pusher. Loaves are fed through the slicer by a weight assisted gravity chute.

FEATURES, BENEFITS & WARRANTY

- Tabletop model
- Includes device for bagging breads
- Crumb tray included
- Capacity of up to 240 loaves per hour
- 22" (559mm) long gravity infeed chute)
- Slices thickness:
 - **SM302:** 5/8" (16mm)
 - **SM302A:** 3/4" (19mm)
 - **SM302B:** 1/2" (13mm)
 - **SM302C:** 1" (25mm)
- Two year parts and one year labor limited warranty

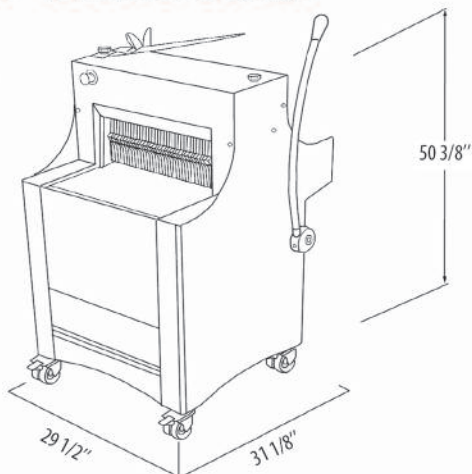
OPTIONAL

- Additional bread pusher (PPTMT)
- Stainless steel table on casters (SM302T)

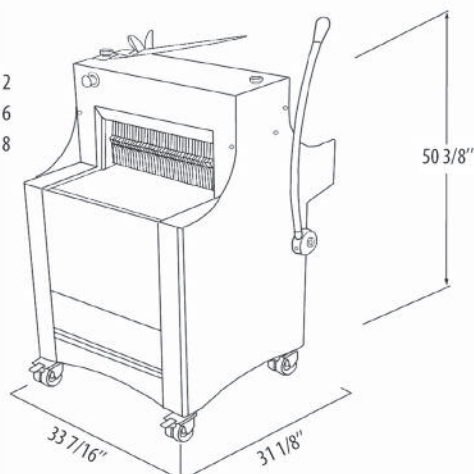


BREAD SLICERS

CPF412
CPF416
CPF418
CPF422

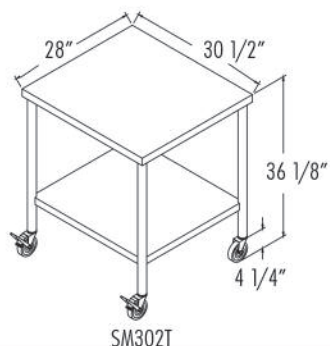
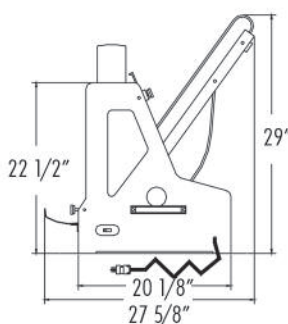
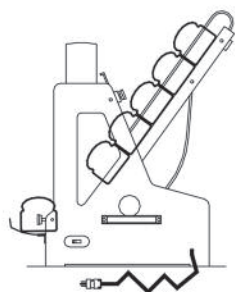
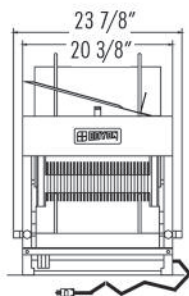


CPF512
CPF516
CPF518



CPF SPECIFICATIONS

Model	Crated Weight lb (kg)	Dimensions			Slices thickness (mm)	Bread max length (mm)	Bread max width (mm)	Bread max height (mm)	Motor HP	Electrical system				
		W (mm)	D (mm)	H (mm)						Volts	Amps	Phases	Rz	NEMA
CPF412	580 lb (263)	29 1/2" (750)	31 1/8" (790)	50 3/8" (1280)	1/2" (12)	17 5/16" (440)	12 3/16" (310)	6 5/16" (160)	2/3	120	6	1	60	5-15P
CPF416	580 lb (263)	29 1/2" (750)	31 1/8" (790)	50 3/8" (1280)	5/8" (16)	17 5/16" (440)	12 3/16" (310)	6 5/16" (160)	2/3	120	6	1	60	5-15P
CPF418	580 lb (263)	29 1/2" (750)	31 1/8" (790)	50 3/8" (1280)	3/4" (18)	17 5/16" (440)	12 3/16" (310)	6 5/16" (160)	2/3	120	6	1	60	5-15P
CPF422	580 lb (263)	29 1/2" (750)	31 1/8" (790)	50 3/8" (1280)	7/8" (22)	17 5/16" (440)	12 3/16" (310)	6 5/16" (160)	2/3	120	6	1	60	5-15P
CPF512	660 lb (300)	33 7/16" (850)	31 1/8" (790)	50 3/8" (1280)	1/2" (12)	20 1/2" (520)	12 3/16" (310)	6 5/16" (160)	2/3	120	6	1	60	5-15P
CPF516	660 lb (300)	33 7/16" (850)	31 1/8" (790)	50 3/8" (1280)	5/8" (16)	20 1/2" (520)	12 3/16" (310)	6 5/16" (160)	2/3	120	6	1	60	5-15P
CPF518	660 lb (300)	33 7/16" (850)	31 1/8" (790)	50 3/8" (1280)	3/4" (18)	20 1/2" (520)	12 3/16" (310)	6 5/16" (160)	2/3	120	6	1	60	5-15P



SM SERIES SPECIFICATIONS

Model	Crated Weight lb (kg)	Dimensions			Slices thickness (mm)	Bread max length (mm)	Bread max height (mm)	Motor HP	Electrical system				
		W (mm)	D (mm)	H (mm)					Volts	Amps	Phases	Rz	NEMA
SM302	200 lb (91)	23 7/8" (606)	27 5/8" (702)	29" (737)	5/8" (16)	15" (381)	5" (127)	1/4 HP	120	6	1	60	5-15P
SM302A	200lb (91)	23 7/8" (606)	27 5/8" (702)	29" (737)	3/4" (19)	15" (381)	5" (127)	1/4 HP	120	6	1	60	5-15P
SM302B	200lb (91)	23 7/8" (606)	27 5/8" (702)	29" (737)	1/2" (13)	15" (381)	5" (127)	1/4 HP	120	6	1	60	5-15P
SM302C	200lb (91)	23 7/8" (606)	27 5/8" (702)	29" (737)	1" (25)	15" (381)	5" (127)	1/4 HP	120	6	1	60	5-15P



Conforms to ANSI/UL std. 763
Certified to CSA C22.2 no.195

* Note: Not available in the province of Quebec.

DOYON & NU-VU
BAKING EQUIPMENT SPECIALISTS
www.doyon.qc.ca • www.nu-vu.com

USA Office
5600 13th Street
Menominee, MI 49858
sales@nu-vu.com

1-800-338-9886 Toll Free
1-906-863-4401 Phone
1-906-863-5889 Fax
www.nu-vu.com

Canada Office
1255 Rue Principale
Linière, QC. G0M 1J0
sales@doyon.qc.ca

1-800-463-4273 Toll Free
1-418-685-3431 Phone
1-418-685-3948 Fax
www.doyon.qc.ca