

# PCBRB-36 36" Wide Gas Radiant Broiler

MODEL: PCBRB-36

DESCRIPTION: 36" GAS RADIANT BROILER  
TOTAL BTU/HR: 90,000

K/W: 26.38

DIMENSIONS (IN): 36"x30.25"x15"  
G/W (LB): 315

## FEATURES

- FULLY STAINLESS STEEL EXTERIOR
- ONE HEAVY-DUTY CAST-IRON H-TYPE BURNER PER 12" SECTION (30,000 BTU/HR EACH)
- HEAVY CAST-IRON RADIANTS W/ MULTIPLE HEAT SINKS RETAIN HEAT, MINIMIZE RECOVERY TIME DURING PEAK PERIODS, AND PROTECT THE BURNER FROM BLOCKAGE AND FLARE-UPS
  - (2) RADIANTS PER BURNER
  - 14" ADJUSTABLE HEAVY DUTY LEGS
  - SPATULA WIDE GREASE TROUGH
- SINGLE PIECE PRECISION BRASS VALVES W/ INFINITE HEAT CONTROL
  - EASY TO REMOVE DRIP PANS
- EASY GAS CONVERSION IN THE FIELD
  - 3/4" NPT REAR GAS CONNECTION
  - SHIPPED WITH GAS REGULATOR
- TWO YEAR LIMITED PARTS AND LABOR WARRANTY

IMAGE  
COMING  
SOON

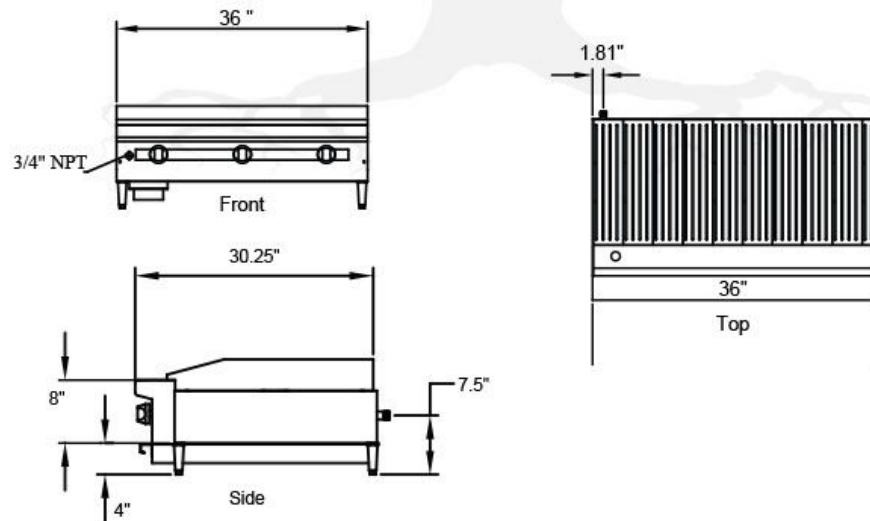
OTHER MODELS AVAILABLE



## Installation Instructions

1. A GAS PRESSURE REGULATOR SUPPLIED WITH THE UNIT MUST BE INSTALLED. NATURAL GAS 4.0" (102 MM) W.C. PROPANE GAS 10.0" (254 MM) W.C.
2. AN ADEQUATE VENTILATION SYSTEM IS REQUIRED FOR COMMERCIAL COOKING EQUIPMENT.
3. THESE UNITS ARE MANUFACTURED FOR INSTALLATION IN ACCORDANCE WITH NATIONAL FUEL GAS CODE, ANSI- Z223.1/NFPA #54 (LATEST EDITION).
4. THIS APPLIANCE IS INTENDED FOR COMMERCIAL INSTALLATION ONLY AND IS NOT INTENDED FOR HOME USE.
5. EQUIPMENT CLEARANCE REQUIREMENT:

NON-COMBUSTIBLES	COMBUSTIBLES
SIDES 6"	SIDES 4"
BACK 6"	BACK 4"
	OPEN BURNER SIDES 12" REAR 6"
6. ALL THE INSTALLATION MUST BE PERFORMED BY QUALIFIED TECHNICIANS.
7. FOR GAS CONVERSION, PLEASE REFER TO CONVERSION INSTRUCTIONS IN THE INSTRUCTION MANUAL BOOK.



MADE IN USA