



Project _____
 AIA # _____ SIS # _____
 Item # _____ Quantity _____ C.S.I. Section 114000



DEALERS CHOICE PREP TABLES - R290

UPT SERIES - R290

Compact Sandwich Prep Tables with Raised Cover/Self-Contained UPT 60" Wide Models



STANDARD PRODUCT FEATURES

- High Quality Stainless Steel Exterior Top, Sides & Doors
- Durable, Corrosion Resistant Anodized Aluminum Interior
- Provides NSF Standard 7 Performance, Even With 6" Deep Pans
- Standard Work Height 34-3/8" on 4" casters
- Environmentally Friendly R-290 Refrigerant
- Top Cut-Outs Accommodate Sixth Size Pans (divider bars and 4" deep plastic sixth size pans provided)
- Reinforced Pan Ledge (holds pans securely level)
- Removable Stainless Steel Insulated Pan Cover & Pivoting Lid
- Reversible, Full Length White Nylon Cutting Board
- Self-Closing Stainless Steel Doors with Stay-Open Feature at 105 Degrees
- Guaranteed for Life Workflow Door Handle
- Electronic Control
- Two (2) Powder Coated Steel Shelves Per Door, Mounted on Adjustable Pilasters
- Set of Six (6) 4" Casters
- Magnetic Snap-In EZ-Clean Door Gasket(s)
- 3-Year Parts & Labor Warranty
- 2-Year Additional Compressor Parts Warranty



This unit is listed to the applicable UL, CSA and NSF Standards by an approved NRTL. Consult the factory or unit's data plate for approval information.

ACCESSORIES & OPTIONS (*field installed)

- CK21 (six 6" (15.2 cm) high casters for 60" models)
- CK25 (six 3-1/2" (8.9 cm) high casters for 60" models)
- CK27 (six 2-3/4" (6.9 cm) high casters for 60" models)
- LK6 (six 6" (15.24 cm) high legs for 60" models)
- SHELF60 UPPER (upper shelf for 60" models)
- SHELF60 LOWER (lower shelf for 60" models)
- Optional accessory kits shipped separately for field installation

AVAILABLE CONFIGURATIONS

27", 32", 48", 60" & 72" Wide Models

| Model | Model Type | Hinging |
|----------------|-----------------------|-------------|
| UPT6012LR-0300 | 60" Wide 12 Pan Model | Left/Right |
| UPT6012LL-0300 | 60" Wide 12 Pan Model | Left/Left |
| UPT6012RR-0300 | 60" Wide 12 Pan Model | Right/Right |
| UPT6024LR-0300 | 60" Wide 24 Pan Model | Left/Right |
| UPT6024LL-0300 | 60" Wide 24 Pan Model | Left/Left |
| UPT6024RR-0300 | 60" Wide 24 Pan Model | Right/Right |

FACTORY INSTALLED OPTIONS

- Stainless Steel Finished Back * Other Door Hinging

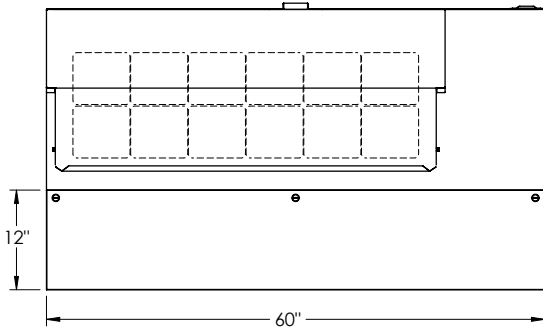
CONTINUED PRODUCT DEVELOPMENT MAY NECESSITATE SPECIFICATION CHANGES WITHOUT NOTICE.

Approved by _____ Date _____ Approved by _____ Date _____

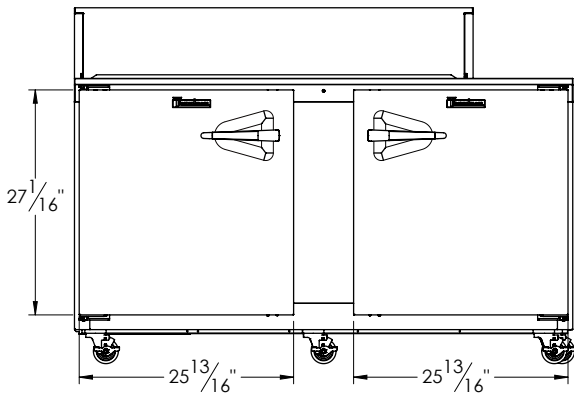
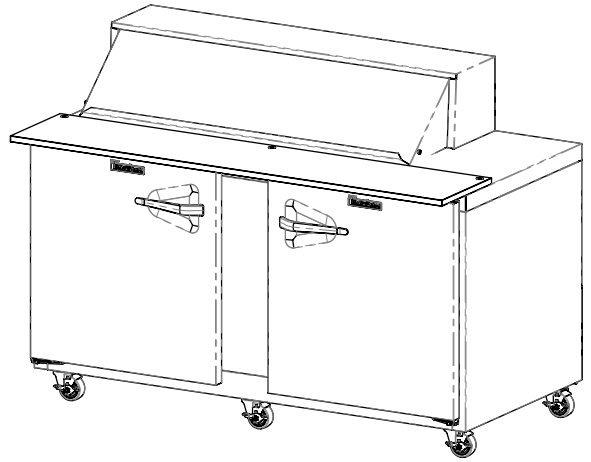


MODELS:
UPT6012LR-0300

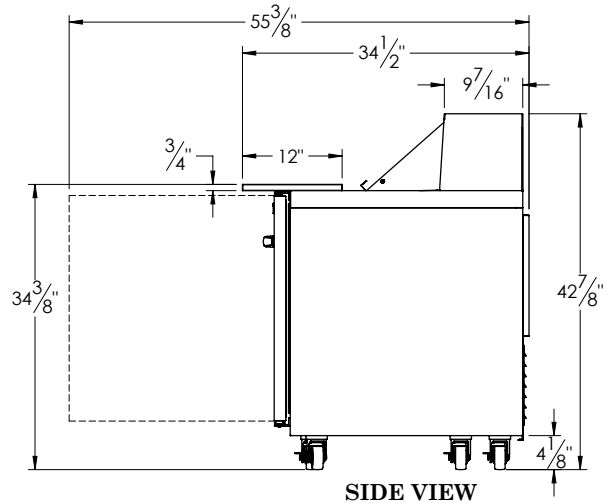
CLICK
TRANSFER
For KCL CADalog Website



TOP VIEW



ELEVATION



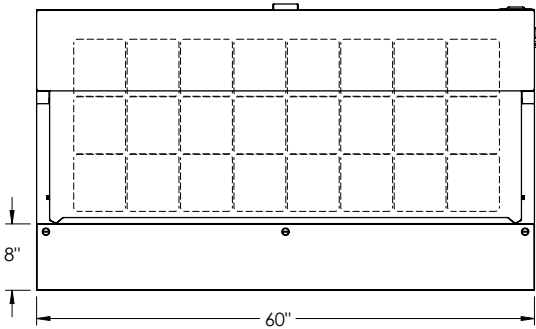
SIDE VIEW

COMPACT PREP TABLES R-290

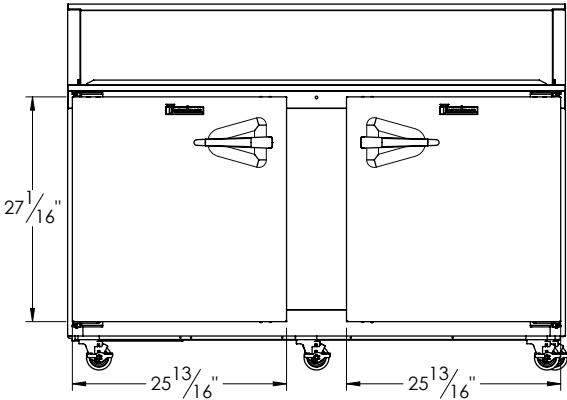
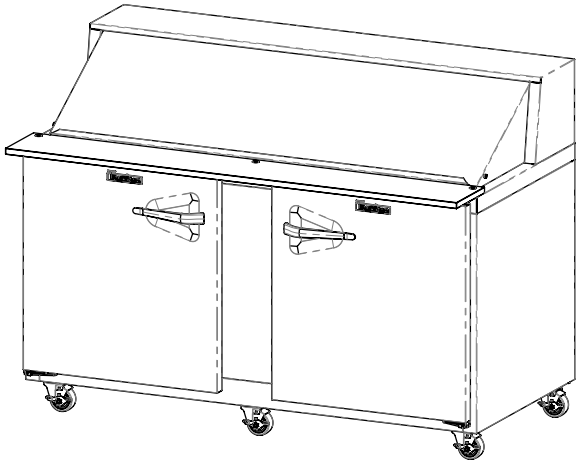
Self-Contained Solid Door(s)

MODELS:

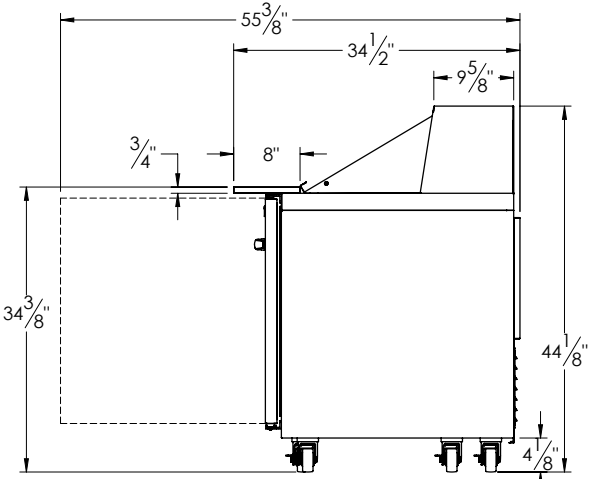
UPT6024LR-0300



TOP VIEW



ELEVATION



SIDE VIEW



UPT SERIES - R290

Compact Sandwich Prep Tables with Raised Cover/Self -Contained

MODELS

Door Models: Door Models: UPT6012LR-0300, UPT6012LR-0300, UPT6012LR-0300, UPT6012LR-0300, UPT6012LR-0300, UPT6012LR-0300

| MODELS | UPT6012__-0300 UPT6024__-0300 |
|--|---------------------------------|
| CABINET DIMENSIONAL DATA | |
| Volume | N/A |
| # of 1/6 Size Pan Top | 12 24 |
| Width- Cabinet | 60" |
| Width-Door | 24 5/8" |
| Depth'-door open 90° | 55 3/8" |
| Depth-Cutting Board | 12" 8" |
| Depth-Lid Top | 9 3/8" 9 5/8" |
| Width-Pan Cover Lid | 48" 60" |
| Height-Overall (mounted on 4" casters) | 42 3/4" 44" |
| Clear Door Opening | 22 3/4" |
| # of Doors | 2 |
| # of Shelves | 4 |
| Total Shelf area sq. ft | 13.2 |
| ELECTRICAL DATA & REFRIGERATION DATA 115/60/1 NEMA 5-15P | |
| Full Load Amps | 7.2 |
| MDEC ² (KWH) | N/A |
| Refrigerant | R-290 |
| Refrigerant Amount oz. (gr) | 5 (142) |
| BTU/HR ³ H.P. | 1680 1/5 |
| SHIPPING DATA | |
| Width Crated in. (cm) | 69" (175) |
| Volume Crated cu. ft. (l) | 69 (1954) |
| Weight lbs. (kg) - Crated | 391 (177) |

EQUIPMENT SPECIFICATIONS

CONSTRUCTION, HARDWARE, INSULATION

Cabinet exterior front, sides, pan cover lid and doors are constructed of stainless steel. Cabinet interior and door liners are constructed of anodized aluminum. The exterior cabinet back at the bottom are constructed of galvanized steel.

Doors self close at less than 90 degrees and also includes a stay open feature at 105 degrees. Gasket profile and material simplify cleaning and increase overall gasket life.

Both the cabinet and doors are insulated with an average of 2" thick high density non-CFC, foamed in place polyurthane.

A 3/4" thick, full-length, reversible white nylon cutting board is supplied standard.

PANS & COVER

Each model is supplied standard with its full compliment of 4" deep plastic 1/6 size pans and stainless steel pan dividers. The lid is constructed of stainless steel, and is easily removable for cleaning.

REFRIGERATION SYSTEM

A balanced, rear mounted, front breathing, self-contained refrigeration system using environmentally friendly R-290 refrigerant is provided. It features a capillary tube metering device, air cooled hermetic compressor, a forced air evaporator coil and a non-electric condensate evaporator. An 8' cord and plug is provided. Standard operating temperature of the refrigerated base is 34° to 38°F (1.1° to 3.3°C).

CONTROLLER

An electronic digital control is supplied standard. It includes a 3-Digit LED display, and a Fahrenheit or Celsius temperature scale display capability.

INTERIOR

Standard interior arrangements include two (2) powder coated wire shelves per door, mounted on pilasters. These are adjustable in 1/2" (1.27 cm) increments, allowing for a minimum of 1-1/2" (3.81 cm) spacing between shelves.

WARRANTY

Both a three year parts and labor warranty and a five year compressor parts warranty (self-contained models) are provided standard.

NOTES:

1. Overall depth includes standard cutting board.
 2. MDEC = Maximum Daily Energy Consumption
 3. Based on a 90°F ambient and 20°F evaporator
- When ordering please specify: Voltage, Hinging, Optional Accessories and any additional warranties.
- This unit may be manufactured in other electrical characteristics and may have additional regulatory agency approvals. Consult factory for other electrical characteristics and agency approvals based on specific electrical and country requirements.

CONTINUED PRODUCT DEVELOPMENT MAY NECESSITATE SPECIFICATION CHANGES WITHOUT NOTICE.