



PROJECT: \_\_\_\_\_  
 ITEM # \_\_\_\_\_ QTY: \_\_\_\_\_  
 MODEL # \_\_\_\_\_  
 AIA # \_\_\_\_\_ SIS # \_\_\_\_\_

VICTORY ELITE™ TOP MOUNT REFRIGERATOR

# VICTORY ELITE™ TOP MOUNT REFRIGERATOR

## VERSA-1D-HG-HC



### CABINET CONSTRUCTION

- Stainless Steel Front, Gray Coated Sides
- Aluminum Interior
- Snap-In, Magnetic Door Gasket(s)
- Heavy Duty Cam Lift Hinges
- Stay-Open Door Feature For Easy Product Loading
- Required Clearance Is 12" Top, 3" Rear And 0" Sides
- 6" Casters
- 8' Cord And Plug

### FEATURES

- High Performance Refrigeration System With An Electronic Control
- Expansion Valve Technology
- Energy Efficient LED Lighting
- 3 Heavy Duty Epoxy Coated Shelves

### REFRIGERATION

- Refrigeration System Uses R-290 Refrigerant To Comply With All Environmental Concerns
- Hot Gas Condensate Evaporator
- Adaptive Defrost For Reduced Energy Consumption And More Consistent Product Temperatures
- Epoxy Coated Evaporator Coil, Located Out Of The Food Zone
- Refrigerator Capable Of Maintaining Product Temperature Between 36°F And 38°F



- ▶ 3 Year Parts & Labor Warranty Plus An Additional 4 Year Compressor Warranty
- ▶ Exclusive 2 Year Warranty On Magnetic Door Gaskets
- ▶ Lifetime Warranty On Handles & Hinges (parts only)



Please verify qualifying units by visiting:  
[www.energystar.gov/cfs](http://www.energystar.gov/cfs)

### OPTIONS & ACCESSORIES

- Stainless Steel Back
- Stainless Steel Breaker
- Seismic/Flanged Legs
- Stainless Steel Exterior
- Tray Slides
- Additional Shelves: Heavy Duty Epoxy Coated Chrome Plated Or Stainless Steel
- Stainless Steel Interior
- 6" Legs Or 3" Casters (no charge at time of unit order)
- Remote Models\* (6" legs only) (refrigerant must be specified at time of order, see note on back page)

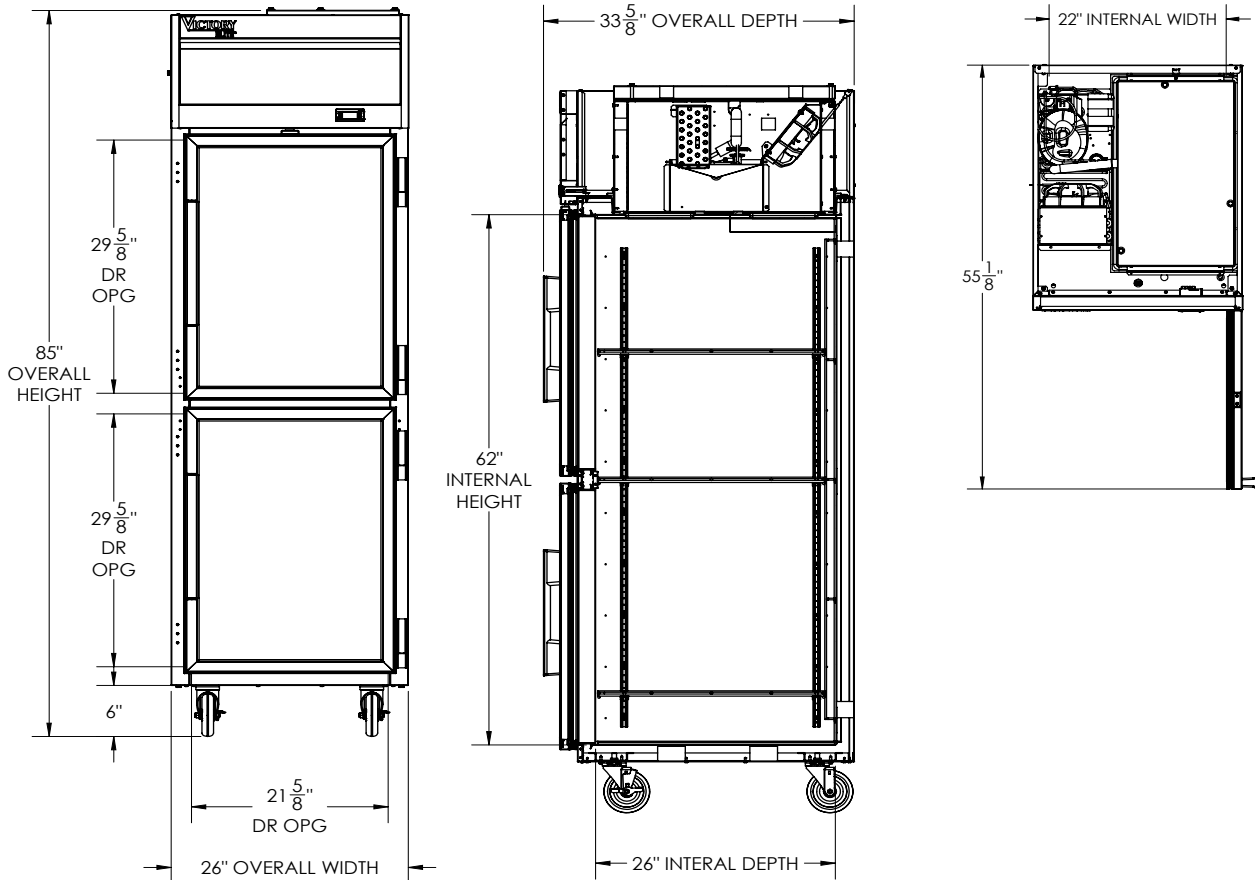
3779 Champion Blvd, Winston-Salem, NC 27105  
 ph: (888) 845-9800 | fax: (800) 253-5168  
 Sales@VictoryRefrigeration.com | VictoryRefrigeration.com  
 Rev. 8/25/21 Printed in U.S.A.

APPROVAL: \_\_\_\_\_ DATE: \_\_\_\_\_



# VICTORY ELITE™ TOP MOUNT REFRIGERATOR

## VERSA-1D-HG-HC



We reserve the right to change specifications and product design without notice. Such revisions do not entitle the buyer to corresponding changes, improvements, additions or replacements for previously purchased equipment. Dimensional tolerances +/- 1/4". Metric dimensions (MM)

12" Top and 3" rear clearance is required

CHARACTERISTICS		ELECTRICAL DATA		SHIPPING DETAILS	
Net Capacity (cubic ft.)	21.66	Cabinet Voltage	115/60/1	Height	88"
Width, Overall (in.)	26"	Total Amperes	2.7	Width	35"
Depth, Overall (with handles)	33 5/8"	NEMA Plug* (8' cord)	5-15P	Depth	45"
Height Overall (6" casters)	85"	<b>REFRIGERATION DATA</b>		Crated Weight	330 lbs
Depth, Door Open 90°	55 1/8"	Condensing Unit Size, HP*	1/4	*NOTE: Remote units are field wired and comes with 6" legs. Refrigerant must be specified at time of order.	
Door Opening (in.)	21 5/8" x 29 5/8"	Refrigerant*	R290		
No. Of Doors/Shelves	2/3	Capacity (BTU/HR) (100°F/20°F)	1702		
		Heat Rejection (BTU/HR)	2553		
		Charge (lbs/grams)	0.2425/110		

3779 Champion Blvd, Winston-Salem, NC 27105 | ph: (888) 845-9800 | fax: (800) 253-5168

Sales@VictoryRefrigeration.com | VictoryRefrigeration.com

Rev. 8/25/21 Printed in U.S.A.

an Ali Group Company



The Spirit of Excellence