

VICTORY[®]

ULTRASPEC

PROJECT: _____

ITEM # _____ QTY: _____

MODEL # _____

AIA # _____ SIS # _____

EXTRA WIDE SOLID DOOR REACH-IN WARMING CABINET

HSA-1D-1-EW



CABINET CONSTRUCTION

- Stainless Steel Exterior
- Aluminum Interior
- 20 Gauge Stainless Steel Door
- Stainless Steel Interior Door Liner
- Heavy Duty Cam Lift Hinges With 120 Stay-Open Feature
- Proximity Door Switch Activates Interior Incandescent Lighting
- Heavy-Duty Cylinder Lock
- One Piece, Snap-In Magnetic Door Gaskets
- Low Profile Vertical Door Handle
- Hinged Front Shroud
- Stainless Steel Breaker Caps
- 3 Silver Freeze Wire Shelves
- 6" High Adjustable Stainless Steel Legs
- 8' Cord And Plug (see electrical data for details)

FEATURES

- Full Electronic Control With Touchpoint Interface
- Adjustable Electronic Temp Control From 80°F To 180°F
- Built-In, Adjustable Humidity Control Vent
- Safety Shielded Strip Type Heating Elements
- Externally Mounted Blower Maintains Even Temperatures
- Manager's Lockout Feature



- ▶ 3 Year Parts & Labor Warranty
- ▶ Exclusive 2 Year Warranty On Magnetic Door Gaskets
- ▶ Lifetime Warranty On Handles & Hinges (parts only)



Please Verify Qualifying Units By Visiting:
www.energystar.gov/cfs

OPTIONS & ACCESSORIES

- | | | |
|-----------------------------------|---|--------------------|
| • Secure-Temp™ Technology | • Additional Shelves | • 6" Seismic Legs |
| • Stainless Steel Back And Shroud | • Tray Slides (type A & A/C) | • 3" Or 6" Casters |
| • Stainless Steel Kick Plate | • Door Swing Orientation (at time of order) | |
| • Exterior Door Laminate | • Correctional Package | |

3779 Champion Blvd, Winston-Salem, NC 27105

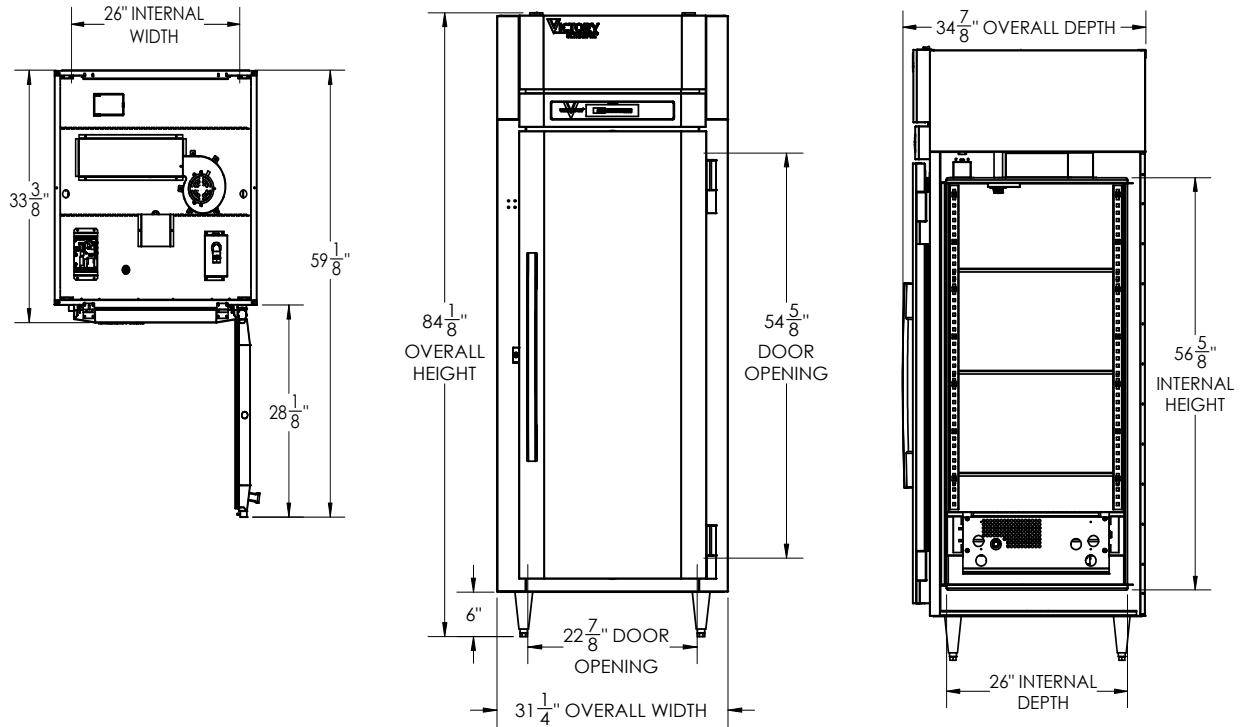
ph: (888) 845-9800 | fax: (800) 253-5168

Sales@VictoryRefrigeration.com | VictoryRefrigeration.com

Rev. 12/5/22 Printed in U.S.A.

APPROVAL: _____ DATE: _____

EXTRA WIDE SOLID DOOR REACH-IN WARMING CABINET



We reserve the right to change specifications and product design without notice. Such revisions do not entitle the buyer to corresponding changes, improvements, additions or replacements for previously purchased equipment. Dimensional tolerances +/- 1/4". Metric dimensions (MM)

CHARACTERISTICS		ELECTRICAL DATA		SHIPPING DETAILS	
Net Capacity (cubic ft.)	24.4	Cabinet Voltage	208-240/60/1	Height	88"
Width, Overall (in.)	31 1/4"	Total Amperes	6.8	Width	39"
Depth, Overall (with handle)	34 7/8"	NEMA Plug (8' cord)	6-20P	Depth	45"
Height Overall (6" legs)	84 1/8"	Heater Watts	1500	Crated Weight	500 lbs
Depth, Door Open 90°	59 1/8"				
Door Opening (in.)	22 7/8" x 54 5/8"				
No. Of Doors/Shelves	1/3				

3779 Champion Blvd, Winston-Salem, NC 27105 | ph: (888) 845-9800 | fax: (800) 253-5168

Sales@VictoryRefrigeration.com | VictoryRefrigeration.com

Rev. 12/5/22 Printed in U.S.A.

an Ali Group Company



The Spirit of Excellence