

PCBR-6 36" 6 Open Burner Gas Restaurant Range w/ Space-Saver Oven

MODEL: PCBR-6

DESCRIPTION: GAS RANGE W/ SPACE-SAVER OVEN
TOTAL BTU/HR: 210,000

EXTERIOR SIZE (WDH): 36"x 33.125"x57.5"
OVEN INTERIOR SIZE (WDH): 14.33"x26.25"x27"
PACKING SIZE (WDH): 45"x 45"x41.25" / CUBIC FT 37
G/W (LB): 535
ENTRY CLEARANCE: CRATED 46" / UNCRATED 34"

FEATURES

- STAINLESS STEEL EXTERIOR W/ SINGLE DECK HIGH SHELF
 - 6 CAST IRON OPEN BURNER (30,000 BTU/HR EACH)
 - 6" (152.5 MM) ADJUSTABLE LEGS
 - 5" (127 MM) STAINLESS STEEL FRONT RAIL
 - SPILL-PROOF PILOT IGNITION SYSTEM
- CONTROLLED BY A BRASS VALVE W/ INFINITE ADJUSTMENT
 - GAS PRESSURE REGULATOR
 - HEAVY GAUGE WELDED FRAME CONSTRUCTION
 - ALUMINIZED OVEN INTERIOR. STAINLESS STEEL INNER DOOR PANEL AND REMOVABLE OVEN BOTTOM
 - SPACE-SAVER OVEN DIMENSIONS (WDH) 20.25"x27"x14.3125"
 - REMOVABLE CHROME PLATED OVEN SIDE RACKS, ON RANGE-BASED CONVECTION OVEN ONLY
 - ONE CHROME PLATED OVEN RACK.
 - RIBBED OVEN DOOR FOR ADDED STRENGTH
 - THERMOSTAT IS ADJUSTABLE FROM 150° F TO 500° F
 - HEAVY DUTY STRAIGHT TUBE BURNER (27,000 BTU's / 7.91 kW)
 - PUSH BUTTON SPARK IGNITER FOR PILOT
 - TWO YEAR LIMITED PARTS AND LABOR WARRANTY



OTHER MODELS AVAILABLE



Installation Instructions

1. A GAS PRESSURE REGULATOR SUPPLIED WITH THE UNIT MUST BE INSTALLED.
NATURAL GAS 4.0" (102 MM) W.C. PROPANE GAS 10.0" (254 MM) W.C.
2. AN ADEQUATE VENTILATION SYSTEM IS REQUIRED FOR COMMERCIAL COOKING EQUIPMENT.
3. THESE UNITS ARE MANUFACTURED FOR INSTALLATION IN ACCORDANCE WITH NATIONAL FUEL GAS CODE, ANSI- Z223.1/NFPA #54 (LATEST EDITION).
4. THIS APPLIANCE IS INTENDED FOR COMMERCIAL INSTALLATION ONLY AND IS NOT INTENDED FOR HOME USE.
5. EQUIPMENT CLEARANCE REQUIREMENT:

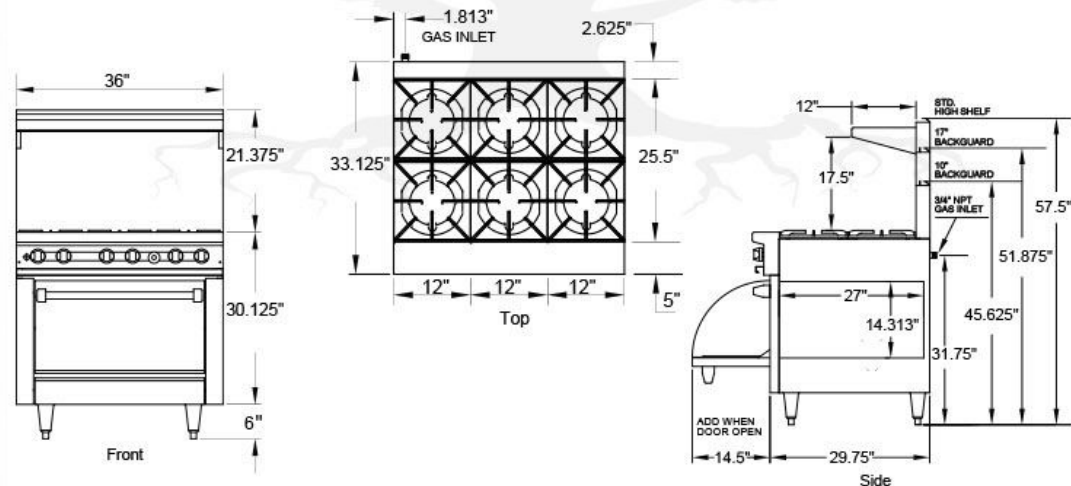
NON-COMBUSTIBLES	COMBUSTIBLES
SIDES 6"	SIDES 4"
BACK 6"	BACK 4"
	OPEN BURNER SIDES 12" REAR 6"
6. ALL THE INSTALLATION MUST BE PERFORMED BY QUALIFIED TECHNICIANS.
7. FOR GAS CONVERSION, PLEASE REFER TO CONVERSION INSTRUCTIONS IN THE INSTRUCTION MANUAL BOOK.



Intertek



Intertek



MADE IN USA