

Product Specifications

PC Non-Refrigerated Pastry Case



MODEL SHOWN: PC3982

NOTE: SHOWN WITH OPTIONAL FRONT STORAGE

- PC3982
- PC5682
- PC7482

Lengths include 1" end panels
 41"L x 39"D x 83-1/4"H
 58"L x 39"D x 83-1/4"H
 76"L x 39"D x 83-1/4"H

STANDARD FEATURES

- 12" Straight blade power cord
- Angled mirror in upper display
- Clear glass swinging doors (self-closing)
- LED 3500K top & shelf lights
- Levelers
- One year parts & labor warranty
- PC3982 holds (10) 18" x 26" trays
- PC5682 holds (15) 18" x 26" trays
- PC7482 holds (20) 18" x 26" trays
- Shelving removable and adjustable on 1" centers

Features	Standard	Options
EXTERIOR COLOR	<input type="checkbox"/> Laminated (non-premium) Confirm pattern/grain direction	<input type="checkbox"/> Laminated (premium) Confirm pattern/grain direction <input type="checkbox"/> Painted (stock colors, specify RAL#)
INTERIOR COLOR	<input type="checkbox"/> Black	<input type="checkbox"/> White
BASE	<input type="checkbox"/> Straight base w/o front storage	<input type="checkbox"/> Angled base w/ front storage & waste bin <input type="checkbox"/> Straight base w/ front storage & waste bin
END PANEL LEFT	<input type="checkbox"/> Full end panel w/mirror interior	<input type="checkbox"/> Cutaway w/glass end panel <input type="checkbox"/> None (specify per line-up)
END PANEL RIGHT	<input type="checkbox"/> Full end panel w/mirror interior	<input type="checkbox"/> Cutaway w/glass end panel <input type="checkbox"/> None (specify per line-up)
HEADER	<input type="checkbox"/> ¹ Flat	<input type="checkbox"/> ¹ Curved
LOWER REAR	<input type="checkbox"/> Open	<input type="checkbox"/> Dry storage w/ sliding solid doors
UPPER REAR	<input type="checkbox"/> Solid back panel	<input type="checkbox"/> Reflective glass rear sliding doors
SHELVING	<input type="checkbox"/> Tray support lighted shelves, (trays not included)	<input type="checkbox"/> Wire rack shelves, lighted
MISCELLANEOUS		<input type="checkbox"/> Header exhaust fans <input type="checkbox"/> Seal between doors <input type="checkbox"/> Second year parts & labor warranty
ACCESSORIES		<input type="checkbox"/> Price tag molding (matches interior color)

Std Notes: 1 - Laminated Only

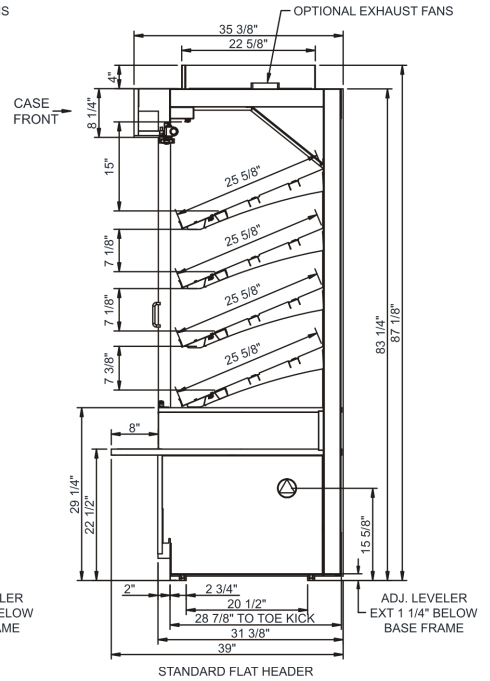
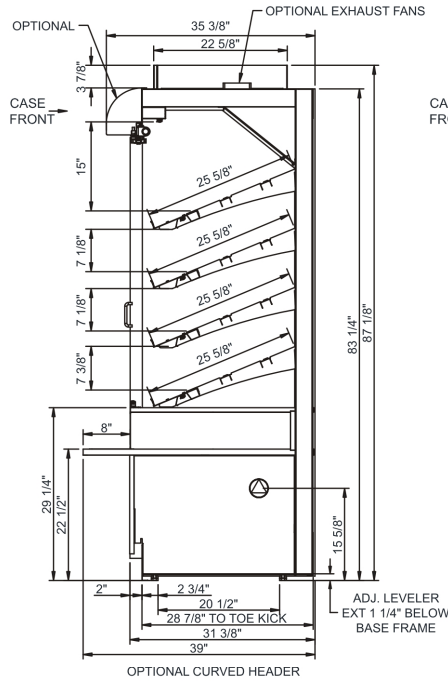
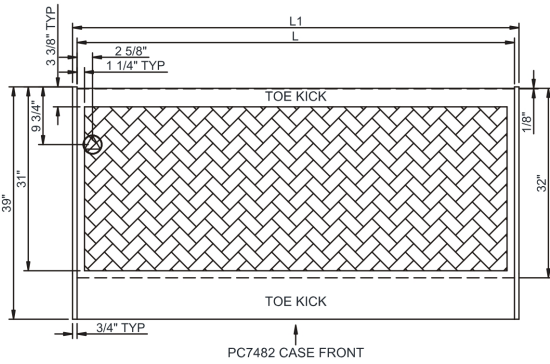
Option Notes: 1 - Painted Only

Product Specifications

Intended Environment: Type I - Designed to operate in ambient conditions of 75°F with 55% relative humidity unless noted otherwise in system information below.	
Zone	Intended Product To Be Displayed
1	Unpackaged non-refrigerated products
Warmest Avg Prod Temp ° F	
Ambient	

PLAN VIEW

SIDE VIEW



NOTE: ALL DIMENSIONS APPROXIMATE

- ELECTRICAL JUNCTION BOX (SUPPLIED WITH 6" LEADS OR POWER CORD).
- LOCATION OF DRAIN TUBE FOR REMOTE REF. ONLY (SUPPLIED WITH 3/4" OR 1 1/2" PVC TUBE).

- REFRIGERATION LINE CONNECTION.
- REMOTE FLOOR SINK & UTILITIES ACCESS AREA.

- SELF-CONTAINED CASE SERVICE ACCESS AREA.
- DRY CASE SERVICE ACCESS AREA.

Model Technical Specifications

Model	L"	L1"	L2"	System Circuit Volts		Phs	Freq	Amps ***	Watts	Wires	NEMA Plug	SST	Conv. Rack BTUH	Para. Rack BTUH	Est Wt	
PC3982	39.00	41.00	.00	Ambient/Lights	Circuit #1	110-120	1	60	1.06	117	2+G	5-15P	N/A	N/A	N/A	700
				Ambient/Lights	Circuit #1	208-240	1	50	0.47	242	2+G	Leads Single	N/A	N/A	N/A	
PC5682	56.00	58.00	.00	Ambient/Lights	Circuit #1	110-120	1	60	1.52	160	2+G	5-15P	N/A	N/A	N/A	1,050
PC7482	74.00	76.00	.00	Ambient/Lights	Circuit #1	110-120	1	60	1.77	200	2+G	5-15P	N/A	N/A	N/A	1,250

*** Does not include electric defrost on freezer models.

Important Notes:

- 1) ELECTRICAL NOTE: If GFCI is required, a GFCI breaker MUST be used in lieu of a GFCI receptacle.
- 2) 40" minimum door entry clearance required (without shipping skid).
- 3) Units are supplied with levelers which must be adjusted during installation to ensure the unit is level and plumb.
- 4) Dimensions reflect levelers extended 1-1/4".

⚠ WARNING: This product can expose you to chemicals, including Urethane (Ethyl Carbamate), which are known to the State of California to cause cancer and birth defects or other reproductive harm. For more information go to www.P65Warnings.ca.gov.

Regulatory Approvals:	
All Models	ETL Listed to UL 65 ETL Sanitation to NSF 2

