

# Fusion

## Product Specifications

ITEM NO: \_\_\_\_\_  
 PROJECT: \_\_\_\_\_  
 DATE: \_\_\_\_\_

### Refrigerated Service Case



MODEL SHOWN: GMDS4R

NOTE: SHOWN W/ OPTIONAL CUTAWAY END PANEL

Lengths include 1-1/8" end panels  
 51"L x 43"D x 51-5/8"H  
 62-7/8"L x 43"D x 51-5/8"H  
 75-3/8"L x 43"D x 51-5/8"H  
 99-3/4"L x 43"D x 51-5/8"H

- GMDS4R
- GMDS5R
- GMDS6R
- GMDS8R

#### STANDARD FEATURES

- Breeze w/EnergyWise s/c refrigeration
- Compressor air intake from rear and out front panel at toe kick. Front panel cannot be blocked.
- Condensate pan (self-contained refrig. only)
- Flat upper front panel
- Integrated average product temperature of 40°F or less
- LED 4000K top & shelf lights
- One year parts & labor; 5 year compressor warranty
- Solid shelf, lighted

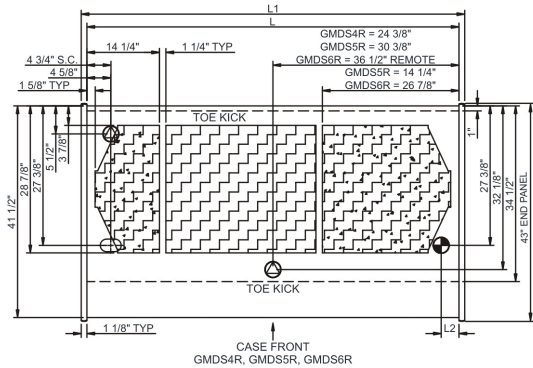
Features	Standard	Options
EXTERIOR COLOR	<input type="checkbox"/> Laminated (non-premium) Confirm pattern/grain direction	<input type="checkbox"/> Laminated (premium) Confirm pattern/grain direction <input type="checkbox"/> Painted (stock colors, specify RAL#) <input type="checkbox"/> Stainless steel
INTERIOR COLOR	<input type="checkbox"/> Black	<input type="checkbox"/> Stainless steel
LOWER FRONT PANEL COLOR	<input type="checkbox"/> Painted - Black	<input type="checkbox"/> Stainless steel
REAR EXTERIOR	<input type="checkbox"/> Stainless steel	<input type="checkbox"/> Painted - Black <input type="checkbox"/> Painted - White
TRIM COLOR	<input type="checkbox"/> Black	<input type="checkbox"/> Silver
BASE	<input type="checkbox"/> Casters w/ levelers	<input type="checkbox"/> 6"H legs (n/a w/ remote ref.)
END PANEL LEFT	<input type="checkbox"/> Full end panel w/stainless mirrored interior	<input type="checkbox"/> Cutaway w/ glass <input type="checkbox"/> No end panel w/ synchronized defrost
END PANEL RIGHT	<input type="checkbox"/> Full end panel w/stainless mirrored interior	<input type="checkbox"/> Cutaway w/ glass <input type="checkbox"/> No end panel w/ synchronized defrost
FRONT GLASS	<input type="checkbox"/> Curved single pane, lift-up front glass w/o lock	<input type="checkbox"/> Flat angled single pane, lift-up front glass w/o lock
UPPER REAR	<input type="checkbox"/> Clear glass rear sliding doors w/o lock	<input type="checkbox"/> Reflective glass rear sliding doors w/o lock
ELECTRICAL CONNECT	<input type="checkbox"/> 6' Straight blade power cord (self-cont.)	<input type="checkbox"/> 6' Locking power cord (self-cont.) <input type="checkbox"/> Electrical leads (remote)
REFRIGERATION	<input type="checkbox"/> Breeze w/EnergyWise s/c refrigeration	<input type="checkbox"/> NOTE: Remote only available w/rail base w/shims. N/A w/ levelers, casters or legs. <input type="checkbox"/> Note: Remote doesn't incl Conds unit. Floor drain reqd. <input type="checkbox"/> Remote w/thermostat, solenoid & TXV
MISCELLANEOUS		<input type="checkbox"/> Front glass lock <input type="checkbox"/> Rear door lock <input type="checkbox"/> Scale stand w/receptacle (requires separate circuit) <input type="checkbox"/> Second year parts & labor warranty (excludes compressor)
ACCESSORIES		<input type="checkbox"/> 2"H Full depth display risers (n/a w/shelf) <input type="checkbox"/> Angled display steps (n/a w/shelf) <input type="checkbox"/> Clean Sweep® coil cleaner (n/a w/remote) <input type="checkbox"/> Price tag molding (matches interior color) <input type="checkbox"/> Rear wrapping board, white Sanalite®

# Fusion

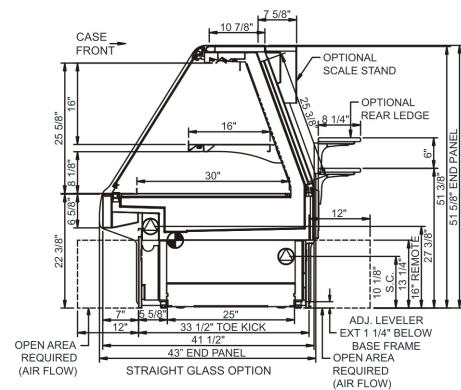
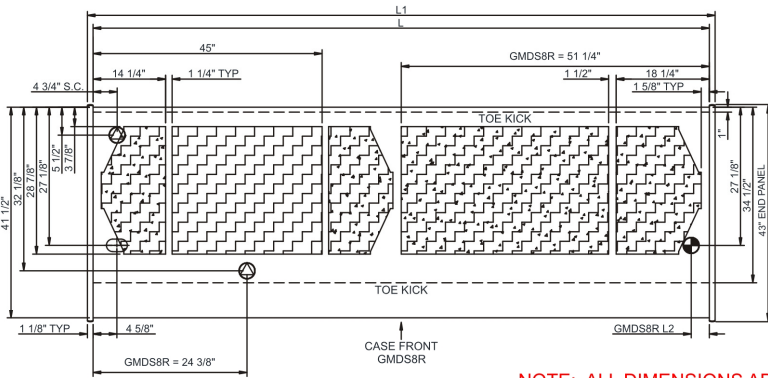
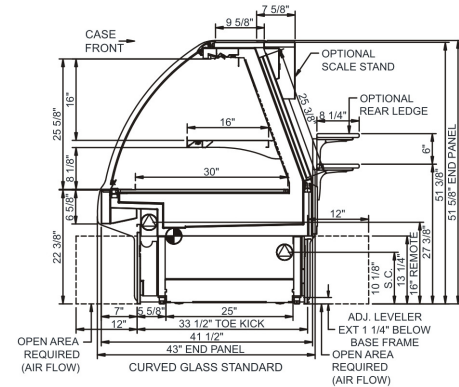
## Product Specifications

<b>Intended Environment:</b> Type I - Designed to operate in ambient conditions of 75°F with 55% relative humidity unless noted otherwise in system information below.	
<b>Zone</b>	<b>Intended Product To Be Displayed</b>
1	Unpackaged refrigerated products
<b>Warmest Avg Prod Temp ° F</b>	
40	

### PLAN VIEW



### SIDE VIEW



**NOTE: ALL DIMENSIONS APPROXIMATE**

- ELECTRICAL JUNCTION BOX (SUPPLIED WITH 6" LEADS OR POWER CORD).
- LOCATION OF DRAIN TUBE FOR REMOTE REF. ONLY (SUPPLIED WITH 3/4" OR 1 1/2" PVC TUBE).

- REFRIGERATION LINE CONNECTION.
- REMOTE FLOOR SINK & UTILITIES ACCESS AREA.

- SELF-CONTAINED CASE SERVICE ACCESS AREA.
- DRY CASE SERVICE ACCESS AREA.

### Model Technical Specifications

Model	L"	L1"	L2"	System Circuit Volts			Phs	Freq	Amps ***	Watts	Wires	NEMA Plug	SST	Conv. Rack BTUH	Para. Rack BTUH	Est Wt
GMS4R	48.75	51.00	3.50	Remote(Type I)	Circuit #1	110-120	1	60	2.27	234	2+G	Leads Multiple	20.00	1296	1200	950
				Remote(Type I)	Circuit #1	110-120	1	60	2.27	234	2+G	Leads Multiple	20.00	1296	1200	
				Self-Contained	Circuit #1	110-120	1	60	10.22	779	2+G	5-15P or L5-15P	N/A	N/A	N/A	
GMS5R	60.63	62.88	3.50	Remote(Type I)	Circuit #1	110-120	1	60	2.98	288	2+G	Leads Multiple	20.00	1728	1600	1,000
				Remote(Type I)	Circuit #1	110-120	1	60	2.98	288	2+G	Leads Multiple	20.00	1728	1600	
				Self-Contained	Circuit #1	110-120	1	60	12.00	1,031	2+G	5-15P or L5-15P	N/A	N/A	N/A	
GMS6R	73.13	75.38	3.50	Remote(Type I)	Circuit #1	110-120	1	60	3.35	338	2+G	Leads Multiple	20.00	2030	1880	1,300
				Remote(Type I)	Circuit #1	110-120	1	60	3.35	338	2+G	Leads Multiple	-	2030	1880	
				Self-Contained	Circuit #1	110-120	1	60	14.82	1,071	2+G	5-20P or L5-20P	N/A	N/A	N/A	
GMS8R	97.50	99.75	9.00	Remote(Type I)	Circuit #1	110-120	1	60	3.84	408	2+G	Leads Multiple	20.00	2722	2520	1,600
				Remote(Type I)	Circuit #1	110-120	1	60	3.84	408	2+G	Leads Multiple	20.00	2722	2520	
				Self-Contained	Circuit #1	110-120	1	60	16.00	1,360	2+G	5-20P or L5-20P	N/A	N/A	N/A	

\*\*\* Does not include electric defrost on freezer models.

### Regulatory Approvals:

All Models	Accordance with AHRI Std 1200 ETL Listed to UL 471 ETL Listed to CAN/CSA 22.2 No. 120 ETL Sanitation to NSF 7
------------	--



In Accordance with  
**AHRI Std 1200**

**DOE 2017**  
Energy Efficiency  
Compliant

### Important Notes:

- 1) ELECTRICAL NOTE: If GFCI is required, a GFCI breaker MUST be used in lieu of a GFCI receptacle
- 2) 45" minimum door entry clearance required (without shipping skid).
- 3) Units are supplied with levelers. They must be adjusted during installation to ensure the unit is level and plumb. Dimensions reflect levelers extended 1 1/4".

**WARNING:** This product can expose you to chemicals, including Urethane (Ethyl Carbamate), which are known to the State of California to cause cancer and birth defects or other reproductive harm. For more information go to [www.P65Warnings.ca.gov](http://www.P65Warnings.ca.gov).



888 E. Porter Rd.  
Muskegon, MI 49441  
Ph. 231-798-8888  
Fx. 231-798-4960  
[www.structuralconcepts.com](http://www.structuralconcepts.com)

**Note: Information is subject to change at any time.**  
Visit [www.structuralconcepts.com](http://www.structuralconcepts.com) for the most current specs.

Revised 3/26/2021

20030006