

# Fusion

## Product Specifications

ITEM NO: \_\_\_\_\_  
 PROJECT: \_\_\_\_\_  
 DATE: \_\_\_\_\_

### Refrigerated Service Single Deck Case



MODEL SHOWN: GLDS4R

NOTE: SHOWN W/ OPTIONAL CUTAWAY END PANEL

- GLDS4R
- GLDS5R
- GLDS6R
- GLDS8R

Lengths include 1-1/8" end panels  
 51"L x 47-7/8"D x 51-5/8"H  
 62-7/8"L x 47-7/8"D x 51-5/8"H  
 75-3/8"L x 47-7/8"D x 51-5/8"H  
 99-3/4"L x 47-7/8"D x 51-5/8"H

#### STANDARD FEATURES

- Breeze w/EnergyWise s/c refrigeration
- Compressor air intake from rear and out front panel at toe kick. Front panel cannot be blocked.
- Corrosion resistant stainless steel tub & fan shroud
- Integrated average product temperature of 40°F or less
- LED 4000K top light(s)
- One year parts & labor; 5 year compressor warranty

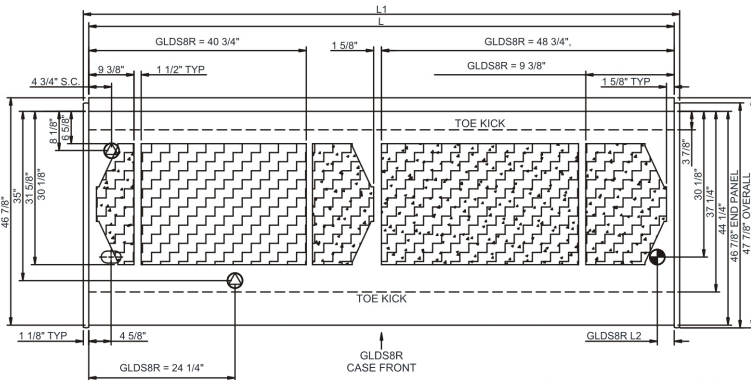
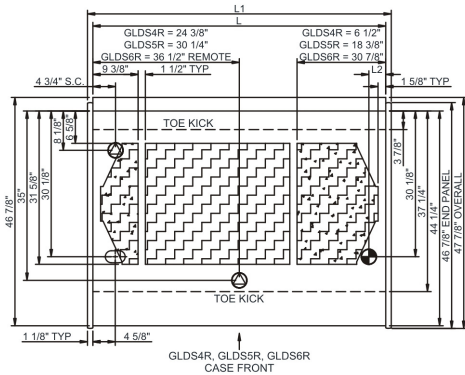
Features	Standard	Options
EXTERIOR COLOR	<input type="checkbox"/> Laminated (non-premium) Confirm pattern/grain direction	<input type="checkbox"/> Laminated (premium) Confirm pattern/grain direction <input type="checkbox"/> Painted (stock colors, specify RAL#) <input type="checkbox"/> Stainless steel
INTERIOR COLOR	<input type="checkbox"/> Black	<input type="checkbox"/> Stainless steel
LOWER FRONT PANEL COLOR	<input type="checkbox"/> Painted - Black	<input type="checkbox"/> Stainless steel
REAR EXTERIOR COLOR	<input type="checkbox"/> Stainless steel rear exterior	<input type="checkbox"/> Painted - Black <input type="checkbox"/> Painted - White
TRIM COLOR	<input type="checkbox"/> Black	<input type="checkbox"/> Silver
BASE	<input type="checkbox"/> Casters w/ levelers	<input type="checkbox"/> 6"H legs (n/a w/ remote ref.)
END PANEL LEFT	<input type="checkbox"/> Full end panel w/mirror interior	<input type="checkbox"/> Cutaway w/ glass <input type="checkbox"/> No end panel w/ synchronized defrost
END PANEL RIGHT	<input type="checkbox"/> Full end panel w/mirror interior	<input type="checkbox"/> Cutaway w/ glass <input type="checkbox"/> No end panel w/ synchronized defrost
FRONT GLASS	<input type="checkbox"/> Curved single pane, lift-up front glass w/o lock	<input type="checkbox"/> Flat angled single pane, lift-up front glass w/o lock
REAR WORK LEDGE	<input type="checkbox"/> Black Sanalite®	<input type="checkbox"/> Solid surface (specify color) <input type="checkbox"/> Stainless steel <input type="checkbox"/> White Sanalite®
UPPER REAR	<input type="checkbox"/> Acrylic rear sliding doors w/o lock	<input type="checkbox"/> Open
ELECTRICAL CONNECT	<input type="checkbox"/> 6' Straight blade power cord (self-cont.)	<input type="checkbox"/> 6' Locking power cord (self-cont.) <input type="checkbox"/> Electrical leads (remote)
REFRIGERATION	<input type="checkbox"/> Breeze w/EnergyWise s/c refrigeration	<input type="checkbox"/> NOTE: Remote only available w/rail base w/shims. N/A w/ levelers, casters or legs. <input type="checkbox"/> Note: Remote doesn't incl Conds unit. Floor drain reqd. <input type="checkbox"/> Remote w/thermostat, solenoid & TXV
MISCELLANEOUS		<input type="checkbox"/> Front glass lock <input type="checkbox"/> Rear door lock <input type="checkbox"/> Scale stand w/receptacle (requires separate circuit) <input type="checkbox"/> Second year parts & labor warranty (excludes compressor)
ACCESSORIES		<input type="checkbox"/> 2"H Full depth display riser(s) <input type="checkbox"/> Clean Sweep® coil cleaner (n/a w/remote) <input type="checkbox"/> Stainless steel condiment rail system

# Fusion

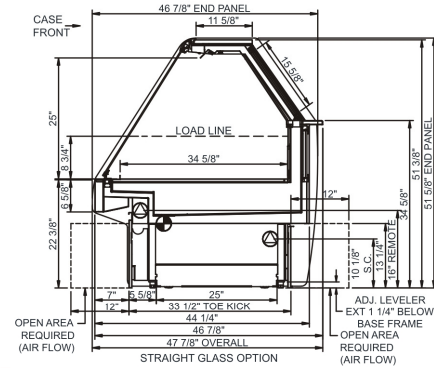
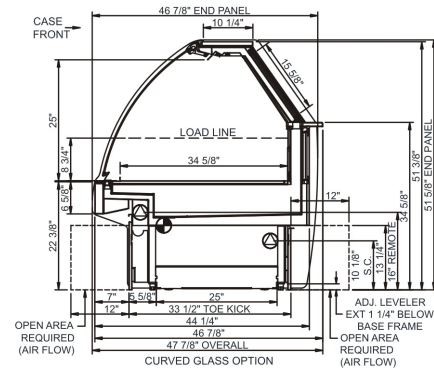
## Product Specifications

<b>Intended Environment:</b> Type I - Designed to operate in ambient conditions of 75°F with 55% relative humidity unless noted otherwise in system information below.		
<b>Zone</b>	<b>Intended Product To Be Displayed</b>	<b>Warmest Avg Prod Temp ° F</b>
1	Unpackaged refrigerated products	40

**PLAN VIEW**



**SIDE VIEW**



**NOTE: ALL DIMENSIONS APPROXIMATE**

- ELECTRICAL JUNCTION BOX (SUPPLIED WITH 6" LEADS OR POWER CORD).
- REFRIGERATION LINE CONNECTION.
- SELF-CONTAINED CASE SERVICE ACCESS AREA.
- LOCATION OF DRAIN TUBE FOR REMOTE REF. ONLY (SUPPLIED WITH 3/4" OR 1" PVC TUBE).
- REMOTE FLOOR SINK & UTILITIES ACCESS AREA.
- DRY CASE SERVICE ACCESS AREA.

**Model Technical Specifications**

Model	L"	L1"	L2"	System Circuit Volts		Phs	Freq	Amps ***	Watts	Wires	NEMA Plug	SST	Conv. Rack BTUH	Para. Rack BTUH	Est Wt	
GLDS4R	48.75	51.00	3.50	Remote(Type I)	Circuit #1	110-120	1	60	1.53	106	2+G	20.00	1179	1092	1,050	
				Remote(Type I)	Circuit #1	110-120	1	60	1.53	106	2+G	20.00	1179	1092		
				Self-Contained	Circuit #1	110-120	1	60	10.06	758	2+G	5-20P or L5-20P	N/A	N/A		N/A
GLDS5R	60.63	62.88	3.50	Remote(Type I)	Circuit #1	110-120	1	60	1.99	168	2+G	20.00	1568	1452	1,150	
				Remote(Type I)	Circuit #1	110-120	1	60	1.99	168	2+G	Leads Multiple	-	1566		1450
				Self-Contained	Circuit #1	110-120	1	60	14.62	1,008	2+G	5-20P or L5-20P	N/A	N/A		N/A
GLDS6R	73.13	75.38	3.50	Remote(Type I)	Circuit #1	110-120	1	60	2.29	82	2+G	20.00	1771	1640	1,250	
				Remote(Type I)	Circuit #1	110-120	1	60	2.29	82	2+G	Leads Multiple	-	1771		1640
				Self-Contained	Circuit #1	110-120	1	60	14.91	1,045	2+G	5-20P or L5-20P	N/A	N/A		N/A
GLDS8R	97.50	99.75	3.50	Remote(Type I)	Circuit #1	110-120	1	60	2.29	216	2+G	20.00	2268	2100	1,400	
				Remote(Type I)	Circuit #1	110-120	1	60	2.29	216	2+G	Leads Multiple	20.00	2268		2100
				Self-Contained	Circuit #1	110-120	1	60	16.00	1,440	2+G	5-20P or L5-20P	N/A	N/A		N/A

\*\*\* Does not include electric defrost on freezer models.

**Regulatory Approvals:**

All Models	Accordance with AHRI Std 1200 ETL Listed to UL 471 ETL Listed to CAN/CSA 22.2 No. 120 UL Sanitation to NSF Std 7
------------	---



In Accordance with  
**AHRI Std 1200**

**DOE 2017**  
Energy Efficiency  
Compliant

**Important Notes:**

- ELECTRICAL NOTE:** If GFCI is required, a GFCI breaker MUST be used in lieu of a GFCI receptacle
- Units are supplied with levelers. They must be adjusted during installation to ensure the unit is level and plumb. Dimensions reflect levelers extended 1 1/4"

**WARNING:** This product can expose you to chemicals, including Urethane (Ethyl Carbamate), which are known to the State of California to cause cancer and birth defects or other reproductive harm. For more information go to [www.P65Warnings.ca.gov](http://www.P65Warnings.ca.gov).



888 E. Porter Rd.  
Muskegon, MI 49441  
Ph. 231-798-8888  
Fx. 231-798-4960  
[www.structuralconcepts.com](http://www.structuralconcepts.com)

**Note: Information is subject to change at any time.**  
Visit [www.structuralconcepts.com](http://www.structuralconcepts.com) for the most current specs.

Revised 1/8/2021

20030211