

Refrigerated Self-Service Case 32"D



MODEL SHOWN: B4732

Conforms to NSF STD 7
TYPE II

- B3632
- B4732
- B5932
- B7132
- B8832

- Lengths include end panels
- 36-5/8"L x 32-1/4"D x 82-1/2"H
 - 47-5/8"L x 32-1/4"D x 82-1/2"H
 - 59-5/8"L x 32-1/4"D x 82-1/2"H
 - 71-5/8"L x 32-1/4"D x 82-1/2"H
 - 88-3/8"L x 32-1/4"D x 82-1/2"H

STANDARD FEATURES

- Breeze~E (Type-II) w/ EnergyWise s/c refrigeration
- Blue Fin coated coil
- Compressor air lower front intake and upper front discharge.
 Front panel cannot be blocked
- Condensate pan (self-contained refrig. only)
- Flat upper front panel & header
- Integrated average product temperature of 40°F or less
- LED 4000K top light(s)
- One piece formed ABS plastic tub (n/a B8832)
- One year parts & labor; 5 year compressor warranty
- Removable deck pans provide complete access to evaporator coil & refrigeration connections
- Shelving removable and adjustable on 1" centers

Features	Standard	Options
EXTERIOR COLOR	<input type="checkbox"/> Laminated (non-premium) Confirm pattern/grain direction	<input type="checkbox"/> Laminated (premium) Confirm pattern/grain direction <input type="checkbox"/> Stainless steel (includes lower front panel)
INTERIOR COLOR	<input type="checkbox"/> Black	<input type="checkbox"/> Stainless steel
LWR PERFORATED FRNT PANEL	<input type="checkbox"/> Painted - Black	<input type="checkbox"/> Stainless steel
BASE	<input type="checkbox"/> Casters w/ levelers	<input type="checkbox"/> Levelers (only) <input type="checkbox"/> Seismic levelers (Q4695)
END PANEL LEFT	<input type="checkbox"/> Full end panel w/mirror interior (metal edge matches interior color)	<input type="checkbox"/> Cutaway end panel (metal edge matches interior color) <input type="checkbox"/> No end panel w/ synchronized defrost
END PANEL RIGHT	<input type="checkbox"/> Full end panel w/mirror interior (metal edge matches interior color)	<input type="checkbox"/> Cutaway end panel (metal edge matches interior color) <input type="checkbox"/> No end panel w/ synchronized defrost
EXTERIOR BACK PANEL	<input type="checkbox"/> Solid back panel, black	<input type="checkbox"/> Rear loading hinged doors, locking (changes air discharge to lower rear) <input type="checkbox"/> Solid back panel, white
SHELVING	<input type="checkbox"/> Metal shelves, non-lighted	<input type="checkbox"/> Metal shelves, lighted (LED 4000K)
ELECTRICAL CONNECT	<input type="checkbox"/> 6' Straight blade power cord (base exit)	<input type="checkbox"/> 6' Locking blade power cord (base exit) <input type="checkbox"/> 6' Locking blade power cord (top exit) <input type="checkbox"/> 6' Straight blade power cord (top exit) <input type="checkbox"/> Electrical leads (remote)
REFRIGERATION	<input type="checkbox"/> Breeze~E (Type-II) w/ EnergyWise s/c refrigeration	<input type="checkbox"/> Note: Remote doesn't incl Conds unit. Floor drain reqd. <input type="checkbox"/> Remote w/thermostat, solenoid & TXV
MISCELLANEOUS		<input type="checkbox"/> Roll-down security cover, locking (Requires two end panels (full or cutaway) per case) <input type="checkbox"/> Second year parts & labor warranty (excludes compressor)
ACCESSORIES		<input type="checkbox"/> Clean Sweep® coil cleaner (n/a w/remote) <input type="checkbox"/> Night curtain, retractable, non-locking <input type="checkbox"/> Price tag molding (matches interior color)

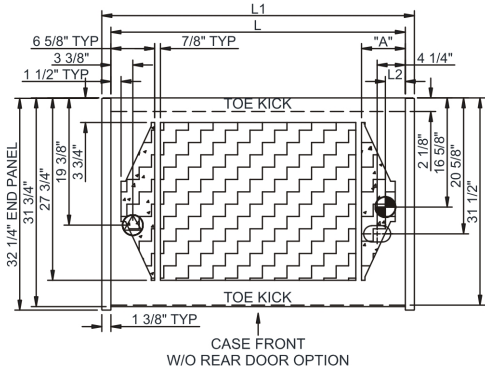
Option Notes: 1 - B3632 - Specify service LH or RH hinge
 2 - See tech spec for load reqmts
 3 - n/a w/Night curtain
 4 - n/a w/Roll-down security cover

Oasis®

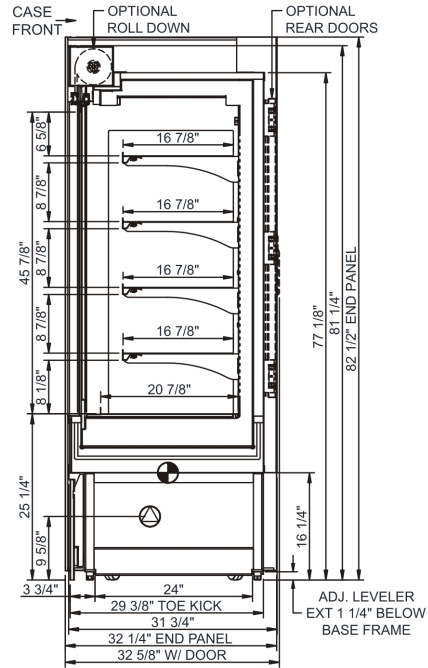
Product Specifications

Intended Environment: Type II - Designed to operate in ambient conditions of 80°F and 60% relative humidity unless noted otherwise in system information below.		
Zone	Intended Product To Be Displayed	Warmest Avg Prod Temp ° F
1	Packaged refrigerated products	40

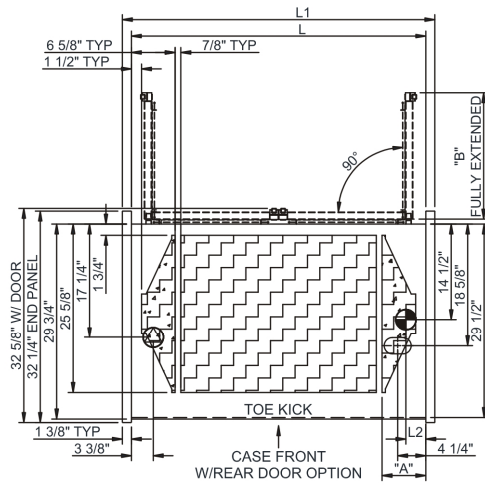
PLAN VIEW



SIDE VIEW



	"A"	"B"
B3632	6 5/8"	28 3/8"
B4732	6 5/8"	18"
B5932	6 5/8"	18"
B7132	14 1/8"	28 3/8"
B8832	17 3/4"	17"



NOTE: ALL DIMENSIONS APPROXIMATE

- ELECTRICAL JUNCTION BOX (SUPPLIED WITH 6' LEADS OR POWER CORD).
- REMOTE FLOOR SINK & UTILITIES ACCESS AREA.
- LOCATION OF DRAIN TUBE FOR REMOTE REF. ONLY (SUPPLIED WITH 3/4\"/>

Model Technical Specifications

Model	L"	L1"	L2"	System Circuit Volts		Phs	Freq	Amps ***	Watts	Wires	NEMA Plug	SST	Conv. Rack BTUH	Para. Rack BTUH	Est Wt	
B3632	N/A	36.63	3.13	Remote(Type I)	Circuit #1	110-120	1	60	1.13	99	2+G	Leads Multiple	20.00	3542	3280	850
				Remote(Type II)	Circuit #1	110-120	1	60	1.13	99	2+G	Leads Multiple	20.00	4320	4000	
				Self-Contained	Circuit #1	110-120	1	60	16.00	1,371	2+G	5-20P or L5-20P	N/A	N/A	N/A	
B4732	N/A	47.63	3.13	Remote(Type I)	Circuit #1	110-120	1	60	1.47	139	2+G	Leads Multiple	20.00	4882	4520	900
				Remote(Type II)	Circuit #1	110-120	1	60	1.47	139	2+G	Leads Multiple	20.00	5918	5480	
				Self-Contained	Circuit #1	208-240	1	60	9.55	1,750	2+G	6-20P or L6-20P	N/A	N/A	N/A	
B5932	N/A	59.63	3.13	Remote(Type I)	Circuit #1	110-120	1	60	1.52	98	2+G	Leads Multiple	20.00	5746	5320	1,100
				Remote(Type II)	Circuit #1	110-120	1	60	1.52	98	2+G	Leads Multiple	20.00	7042	6520	
				Self-Contained	Circuit #1	208-240	1	60	11.49	2,124	2+G	6-20P or L6-20P	N/A	N/A	N/A	
B7132	N/A	71.63	3.13	Remote(Type I)	Circuit #1	110-120	1	60	2.36	238	2+G	Leads Multiple	20.00	7042	6520	1,300
				Remote(Type II)	Circuit #1	110-120	1	60	2.36	238	2+G	Leads Multiple	20.00	8618	7980	
				Self-Contained	Circuit #1	208-240	1	60	15.31	2,901	2+G	6-20P or L6-20P	N/A	N/A	N/A	
B8832	N/A	88.38	3.13	Remote(Type I)	Circuit #1	110-120	1	60	3.13	306	2+G	Leads Multiple	20.00	10606	9820	1,550
				Remote(Type II)	Circuit #1	110-120	1	60	3.13	306	2+G	Leads Multiple	20.00	13046	12080	
				Self-Contained	Circuit #1	208-240	1	60	20.41	2,901	2+G	6-30P or L6-30P	N/A	N/A	N/A	

*** Does not include electric defrost on freezer models.

Regulatory Approvals:

All Models
 Accordance with AHRI Std 1200
 ETL Listed to UL 471
 ETL Listed to CAN/CSA 22.2 No. 120
 ETL Sanitation to NSF 7



In Accordance with
AHRI Std 1200

DOE 2017
 Energy Efficiency
 Compliant

Important Notes:

- ELECTRICAL NOTE:** If GFCI is required, a GFCI breaker MUST be used in lieu of a GFCI receptacle
- Performance issues (product temperatures, water on floor, etc.) caused by adverse conditions are not covered by warranty.
- Keep unit at least 15' from exterior doors, overhead HVAC vents, or any air curtain disruption.
- End panels must be tightly joined or kept at least 6" away from any structure to prevent condensation.
- Do not expose unit to direct sunlight or any heat source (ovens, fryers, etc.).
- Tile floors, low ceilings, or small rooms will increase noise level.
- Rear Door option changes air discharge to lower rear.

⚠ WARNING: This product can expose you to chemicals, including Urethane (Ethyl Carbamate), which are known to the State of California to cause cancer and birth defects or other reproductive harm. For more information go to www.P65Warnings.ca.gov.



888 E. Porter Rd.
 Muskegon, MI 49441
 Ph. 231-798-8888
 Fx. 231-798-4960
www.structuralconcepts.com

Note: Information is subject to change at any time.
 Visit www.structuralconcepts.com for the most current specs.

Revised 1/8/2021

20218220