

### Refrigerated Self-Service Case 24"D - Type II



MODEL SHOWN: B3424

Conforms to NSF STD 7  
**TYPE II**

- B3424
- B4524
- B6624
- B8824

Lengths include end panels  
 34-1/2"L x 24-1/4"D x 82-3/8"H  
 45-1/2"L x 24-1/4"D x 82-3/8"H  
 66-3/8"L x 24-1/4"D x 82-3/8"H  
 88-3/8"L x 24-1/4"D x 82-3/8"H

#### STANDARD FEATURES

- Breeze~E (Type-II) w/ EnergyWise s/c refrigeration
- Blue Fin coated coil
- Compressor air lower front intake and upper front discharge.  
 Front panel cannot be blocked
- Condensate pan (self-contained refrig. only)
- Flat header
- Integrated average product temperature of 40°F or less
- LED 4000K top light(s)
- One piece formed ABS plastic tub (n/a B8824)
- One year parts & labor; 5 year compressor warranty
- Removable deck pans provide complete access to evaporator coil & refrigeration connections
- Shelving removable and adjustable on 1" centers
- Solid back panel, black

Features	Standard	Options
EXTERIOR COLOR	<input type="checkbox"/> Laminated (non-premium) Confirm pattern/grain direction	<input type="checkbox"/> Laminated (premium) Confirm pattern/grain direction <input type="checkbox"/> Stainless steel (includes lower front panel)
INTERIOR COLOR	<input type="checkbox"/> Black	<input type="checkbox"/> Stainless steel
LWR PERFORATED FRNT PANEL	<input type="checkbox"/> Painted - Black	<input type="checkbox"/> Stainless steel (w/stainless ext. only)
BASE	<input type="checkbox"/> Casters w/ levelers	<input type="checkbox"/> Levelers (only) <input type="checkbox"/> Seismic levelers (Q4695)
END PANEL LEFT	<input type="checkbox"/> Full end panel w/mirror interior (metal edge matches interior color)	<input type="checkbox"/> Cutaway end panel (vinyl edge matches interior color) <input type="checkbox"/> No end panel w/ synchronized defrost
END PANEL RIGHT	<input type="checkbox"/> Full end panel w/mirror interior (metal edge matches interior color)	<input type="checkbox"/> Cutaway end panel (vinyl edge matches interior color) <input type="checkbox"/> No end panel w/ synchronized defrost
EXTERIOR BACK PANEL	<input type="checkbox"/> Solid back panel, black	<input checked="" type="checkbox"/> Rear loading hinged doors, locking (changes air discharge to lower rear) <input type="checkbox"/> Solid back panel, white
UPPER FRONT PANEL	<input type="checkbox"/> Flat front panel	<input type="checkbox"/> Black slatwall
SHELVING	<input type="checkbox"/> Metal shelves, non-lighted	<input type="checkbox"/> Metal shelves, lighted (LED 4000K)
ELECTRICAL CONNECT	<input type="checkbox"/> 6' Straight blade power cord (base exit)	<input type="checkbox"/> 6' Locking blade power cord (base exit) <input type="checkbox"/> 6' Locking blade power cord (top exit) <input type="checkbox"/> 6' Straight blade power cord (top exit) <input type="checkbox"/> Electrical leads (remote)
REFRIGERATION	<input type="checkbox"/> Breeze~E (Type-II) w/ EnergyWise s/c refrigeration	<input type="checkbox"/> Note: Remote doesn't incl Conds unit. Floor drain reqd. <input checked="" type="checkbox"/> Remote w/thermostat, solenoid & TXV
MISCELLANEOUS		<input type="checkbox"/> Second year parts & labor warranty (excludes compressor)
ACCESSORIES		<input type="checkbox"/> Clean Sweep® coil cleaner (n/a w/remote) <input type="checkbox"/> Night curtain, retractable, non-locking <input type="checkbox"/> Price tag molding (matches interior color) <input type="checkbox"/> Solid security cover, removable, locking

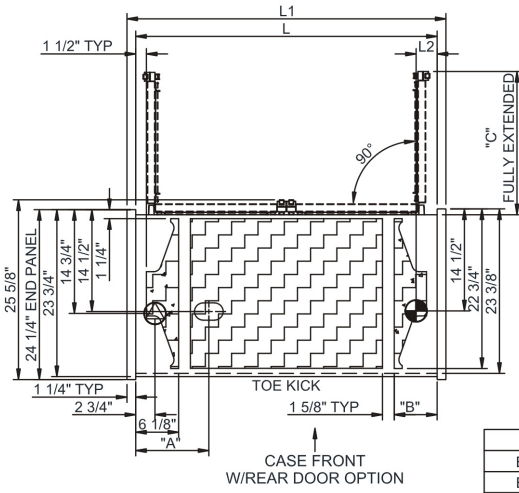
Option Notes: 1 - B3424 - Specify service LH or RH hinge  
 2 - See tech spec for load reqmts

# Oasis®

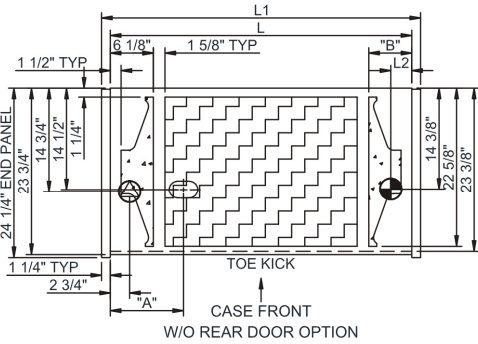
## Product Specifications

<b>Intended Environment:</b> Type II - Designed to operate in ambient conditions of 80°F and 60% relative humidity unless noted otherwise in system information below.		
<b>Zone</b>	<b>Intended Product To Be Displayed</b>	<b>Warmest Avg Prod Temp ° F</b>
1	Packaged refrigerated products	40

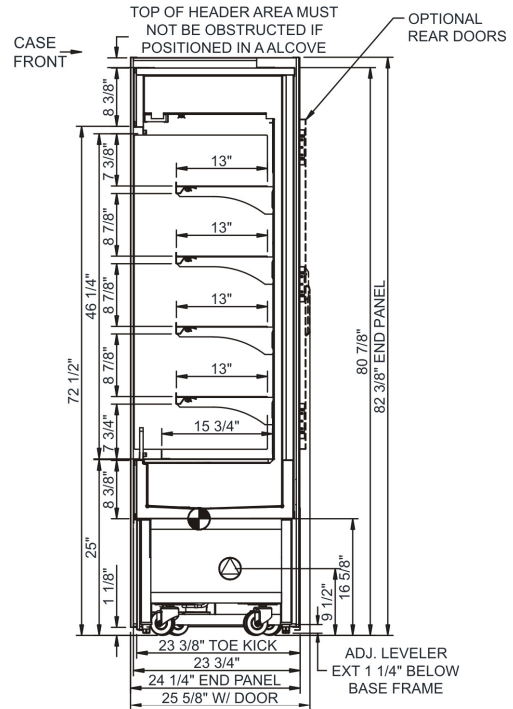
### PLAN VIEW



	"A"	"B"	"C"
B3424	7"	N/A	29 1/2"
B4524	7"	6 1/8"	20 3/8"
B6624	10 3/8"	6 1/8"	N.A.
B8824	19 3/8"	17 1/2"	N.A.



### SIDE VIEW



**NOTE: ALL DIMENSIONS APPROXIMATE**

- ELECTRICAL JUNCTION BOX (SUPPLIED WITH 6" LEADS OR POWER CORD).
- REMOTE FLOOR SINK & UTILITIES ACCESS AREA.
- LOCATION OF DRAIN TUBE FOR REMOTE REF. ONLY (SUPPLIED WITH 3/4" OR 1 1/2" PVC TUBE).
- SELF-CONTAINED CASE SERVICE ACCESS AREA.
- REFRIGERATION LINE CONNECTION.
- DRY CASE SERVICE ACCESS AREA.

### Model Technical Specifications

Model	L"	L1"	L2"	System Circuit Volts	Phs	Freq	Amps ***	Watts	Wires	NEMA Plug	SST	Conv. Rack BTUH	Para. Rack BTUH	Est Wt		
B3424	N/A	34.50	3.13	Remote(Type II)	Circuit #1	110-120	1	60	1.20	60	2+G	Leads Single	20.00	5098	4720	800
				Self-Contained	Circuit #1	110-120	1	60	15.64	1,198	2+G	5-20P or L5-20P	N/A	N/A	N/A	
B4524	N/A	45.50	3.13	Remote(Type II)	Circuit #1	110-120	1	60	1.26	77	2+G	Leads Single	20.00	5659	5240	900
				Self-Contained	Circuit #1	208-240	1	60	10.82	2,023	2+G	6-15P or L6-15P	N/A	N/A	N/A	
B6624	N/A	66.38	3.13	Remote(Type II)	Circuit #1	110-120	1	60	1.92	130	2+G	Leads Single	20.00	5659	5240	1,100
				Self-Contained	Circuit #1	208-240	1	60	13.91	2,591	2+G	6-20P or L6-20P	N/A	N/A	N/A	
B8824	N/A	88.38	3.13	Remote(Type II)	Circuit #1	110-120	1	60	2.25	158	2+G	Leads Single	20.00	11189	10360	1,200
				Self-Contained	Circuit #1	208-240	1	60	16.00	3,196	2+G	6-20P or L6-20P	N/A	N/A	N/A	

\*\*\* Does not include electric defrost on freezer models.

### Important Notes:

- 1) ELECTRICAL NOTE: If GFCI is required, a GFCI breaker MUST be used in lieu of a GFCI receptacle
- 2) Performance issues (product temperatures, water on floor, etc.) caused by adverse conditions are not covered by warranty.
- 3) Keep unit at least 15' from exterior doors, overhead HVAC vents, or any air curtain disruption.
- 4) End panels must be tightly joined or kept at least 6" away from any structure to prevent condensation.
- 5) Do not expose unit to direct sunlight or any heat source (ovens, fryers, etc.).
- 6) Tile floors, low ceilings, or small rooms will increase noise level.

**⚠ WARNING:** This product can expose you to chemicals, including Urethane (Ethyl Carbamate), which are known to the State of California to cause cancer and birth defects or other reproductive harm. For more information go to [www.P65Warnings.ca.gov](http://www.P65Warnings.ca.gov).

### Regulatory Approvals:

All Models  
 Accordance with AHRI Std 1200  
 ETL Listed to UL 471  
 ETL Listed to CAN/CSA 22.2 No. 120  
 UL Sanitation to NSF Std 7



In Accordance with  
**AHRI Std 1200**

**DOE 2017**  
 Energy Efficiency  
 Compliant

888 E. Porter Rd.  
 Muskegon, MI 49441  
 Ph. 231-798-8888  
 Fx. 231-798-4960  
[www.structuralconcepts.com](http://www.structuralconcepts.com)

**Note: Information is subject to change at any time.**  
 Visit [www.structuralconcepts.com](http://www.structuralconcepts.com) for the most current specs.

Revised 1/8/2021

21564217

