

Designer Series Gas Fryer

Project _____
Item _____
Quantity _____
CSI Section 11400
Approved _____
Date _____

Models

- GD-15F



Model GD-15F

Standard Features

- Stainless steel front and sides
- 4" (102mm) Sanitary legs
- Easy clean features
- Open pot design, no tubes
- Deep cold zone, keeps contaminants out of cooking area, extending shortening life
- Cold rolled steel frypot
- Front drain ball valve 1" (25.4mm) IPS
- 15 lbs shortening capacity
- 100% safety system
- 1° F snap action thermostat
- Piezo spark ignition
- Rear gas connection w/pressure regulator
- Natural or propane gas
- 45,000 total BTU
- Twin fryer baskets

Options & Accessories

- Stainless steel back and bottom
- Note: Stands are available see form # CS24/CSD

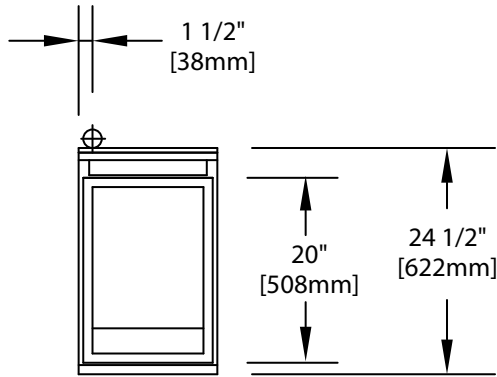
Specifications

Gas designer series fryer, Model GD-15F; 15" (381mm) wide, 24" (610mm) deep x 20" (508mm) high, easy clean design, with stainless steel front and sides. Steel frypot with open pot design, 15 lbs. shortening capacity and deep cold zone. Exclusive 1° F snap action thermostat. Piezo spark ignition, natural or propane gas, 45,000 total BTU input. Designed as free standing or to be banked with other GD series equipment.



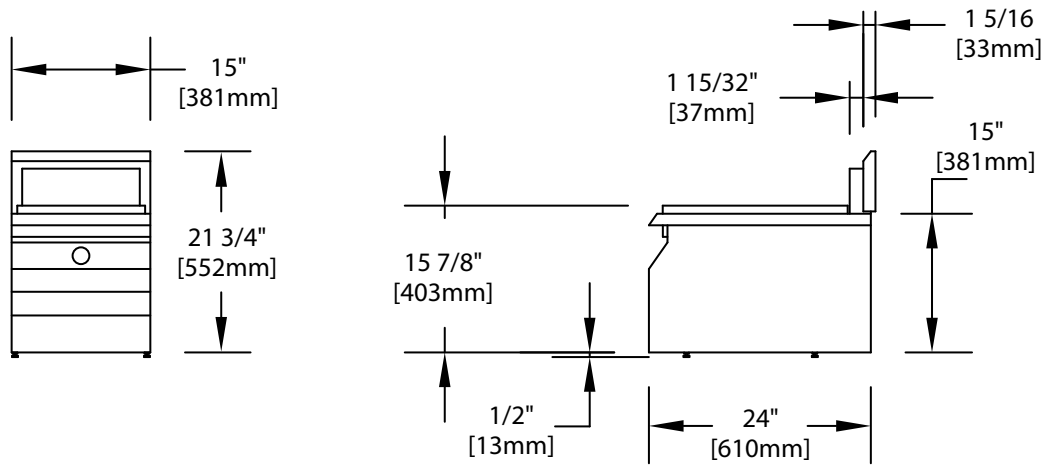
Designer Series Gas Fryer

Designer Series Gas Fryer



Gas Input ratings shown here are for installations up to 2,000 ft. (610m) above sea level. Specify altitudes over 2,000 ft.

Garland products are not approved or authorized for home or residential use, but are intended for commercial applications only. Garland will not provide service, warranty, maintenance or support of any kind other than in commercial applications.



MODEL	Over All Dimensions			Total Input BTU/Kw	Cu. Ft.	Shipping Wt Lb/kg
	Width	Height	Depth			
GD-15F	15" (381mm)	20" (508mm)	24" (610mm)	45,000/13.2	6	120/54
GFIR36M	Range Mount	35-1/2" (900mm)	GF/GFE36	38.2	200/91	31" (787mm)

Manifold Inlet Size NPT	Manifold Operating Pressure			
	Natural		Propane	
	"WC	mbar	"WC	mbar
1/2"	4.2	10.5	9	22.4

Clearances To Combustible Wall		Floor or Base
Sides	Back	
6" (152mm)	6" (152mm)	Non Combustible

Welbilt reserves the right to make changes to the design or specifications without prior notice.