

36 E Series Heavy Duty Griddle Top Range

Project _____
Item _____
Quantity _____
CSI Section 11400
Approved _____
Date _____

36 E Series Heavy Duty Griddle Top Range

Models

- 36ER38
- 36ES38



Model 36ER38
Thermostat Controlled
Griddle Top Range

Standard Features

- Stainless steel front and sides
- Stainless steel front rail
- Chrome plated, 4 position removable rack guides w/oven rack
- Electro-mechanical heavy-duty oven thermostat
- 36" (914mm) griddle plate controlled by 3 thermostat controls 100°/450°F (38°/232°C)
- 3" (76mm) high stainless steel vent raiser
- Heat resistant, cool to touch oven door handle
- 6" (152mm) adjustable chrome plated legs (NSF)
- One Year limited parts & labor (USA & Canada)

Options & Accessories

- Stainless steel main back (R&S models)
- Extra oven rack
- Set of (4) Polyurethane (non-marking) swivel casters complete with front brakes
- 6" (152mm) adjustable stainless steel legs
- High voltage 460V
- Marine equipment - hand rails, oven door latch, drip tray stop and deck fasteners

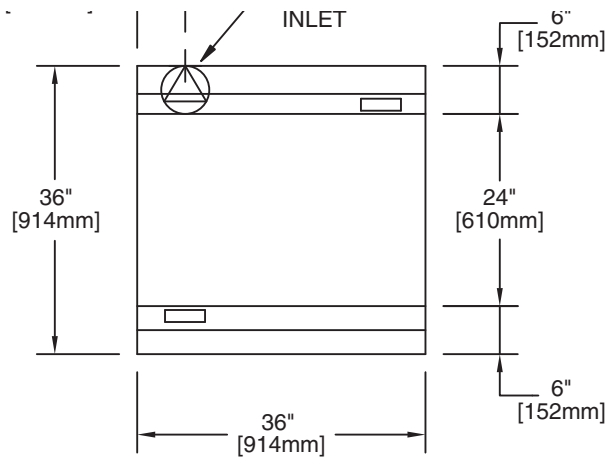
NOTE: Ranges supplied with casters must be installed with an approved restraining device.

Specifications

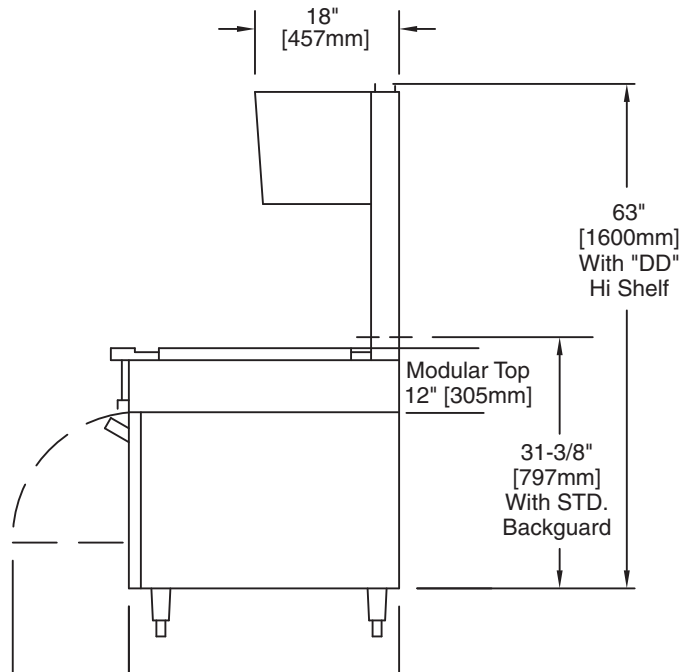
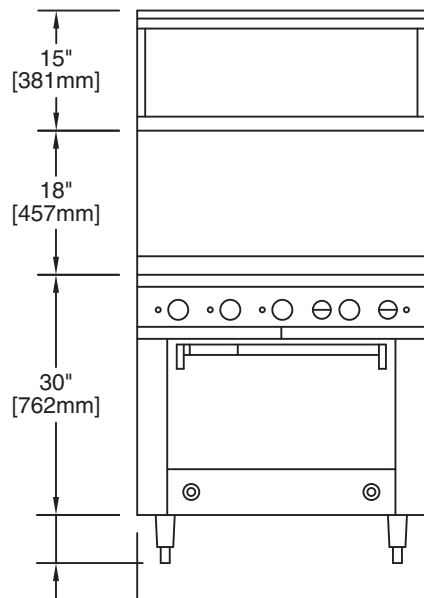
Heavy-duty electric range, Model 36ER-38, with griddle top. Top consists of a one piece griddle with three thermostatically controlled heat zones. Full size oven is controlled by a heavy-duty electromechanical thermostat. Oven interior is 13.5" (343mm) high x 26.25" (667mm) wide x 29" (533mm) deep with removable four-position chrome plated rack guides and one oven rack, front and rear stainless steel grease troughs. Stainless steel front and sides. Circuit breakers or fuses provide electric circuit protection. Available with casters or for dais mount. Model 36ES38 has storage base in lieu of oven section.



36 E Series Heavy Duty Griddle Top Range



Garland products are not approved or authorized for home or residential use, but are intended for commercial applications only. Garland will not provide service, warranty, maintenance or support of any kind other than in commercial applications.



| MODEL | TOTAL kW | 3-PHASE kW PER PHASE ALL VOLTAGES | | | NOMINAL AMPERES PER LINE | | | | | | | | | | | |
|--------|----------|--------------------------------------|-----|-----|--------------------------|------|------|-------------|----|----|------|----|----|------|----|----|
| | | | | | SINGLE PHASE | | | THREE PHASE | | | | | | | | |
| | | X-Y | Y-Z | X-Z | 208V | 240V | 460V | 208V | | | 240V | | | 460V | | |
| | | | | | | | X | Y | Z | X | Y | Z | X | Y | Z | |
| 36ER38 | 21.5 | 6.5 | 5 | 10 | 103 | 91 | 47 | 69 | 48 | 64 | 61 | 43 | 56 | 31 | 22 | 28 |
| 36ES | 15 | 5 | 5 | 5 | 72 | 64 | 33 | 42 | 42 | 42 | 37 | 37 | 37 | 19 | 19 | 19 |

| CLEARANCES | | | |
|------------------|-----------------|---------------------|-------------|
| ENTRY | | TO COMBUSTIBLE WALL | |
| CRATED | UNCRATED | SIDES | REAR* |
| 41-1/4" (1048mm) | 36-1/4" (921mm) | 3" (76mm) | 1/2" (13mm) |

Welbilt reserves the right to make changes to the design or specifications without prior notice.