

Unit Information

15.0 Amps. – 1800 Watts – 3.75 HP

3 Year Limited Motor Warranty

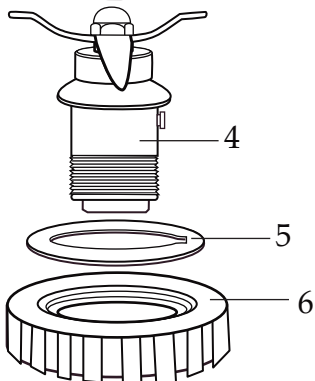
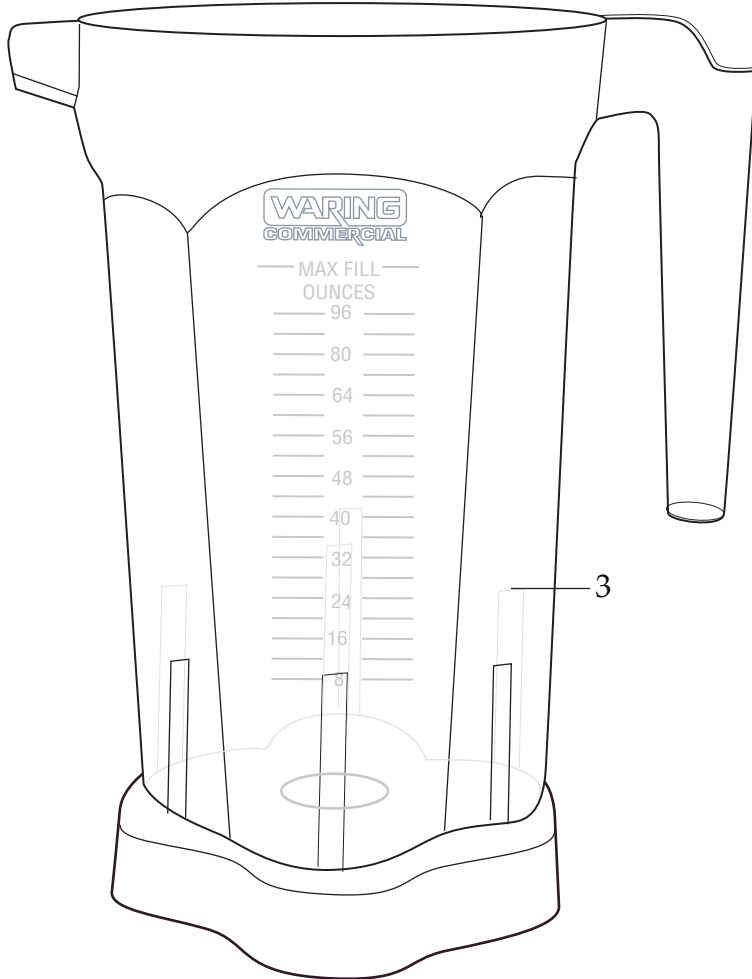
2 Year Limited Warranty

Stackable Container

WARING COMMERCIAL®

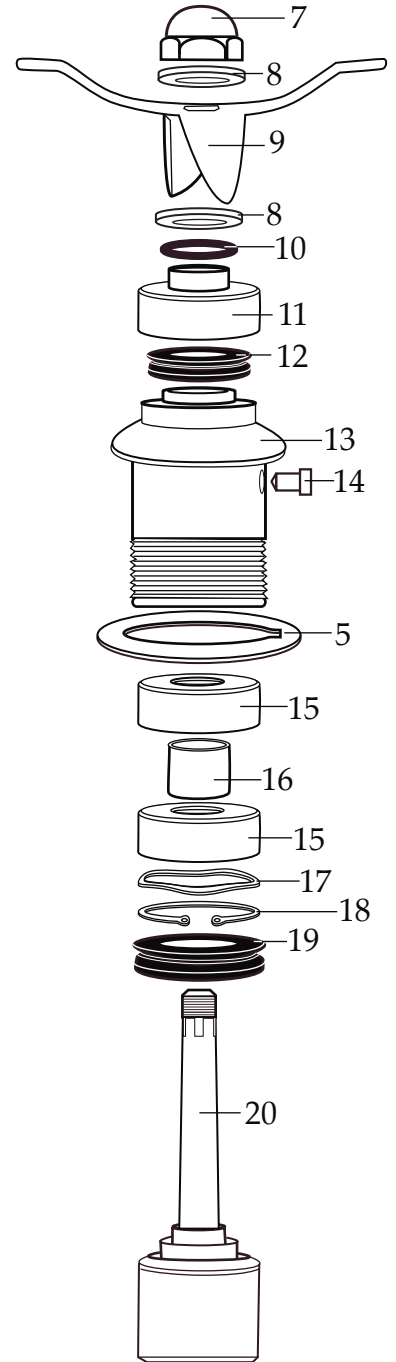
One Gallon Blender
with Plastic Container

CB15P



503562

1 Gallon Plastic Container
with Blending Assembly




502977

Blending Assembly



013304
NSF Seal


BLENDER CB15
MODEL CB15P
 120V 60 Hz 15.0 AMPS
 SERIAL NO. YY|MM|DD
 year year month month day day
WARING
 CONFORMS TO:
 UL Std. 783
 CERTIFIED TO: CSA
 Std. C22.2 No. 185
 WARING COMMERCIAL
 Torrington, Connecticut 06790
 MADE IN USA *With US and foreign parts
 www.waringproducts.com

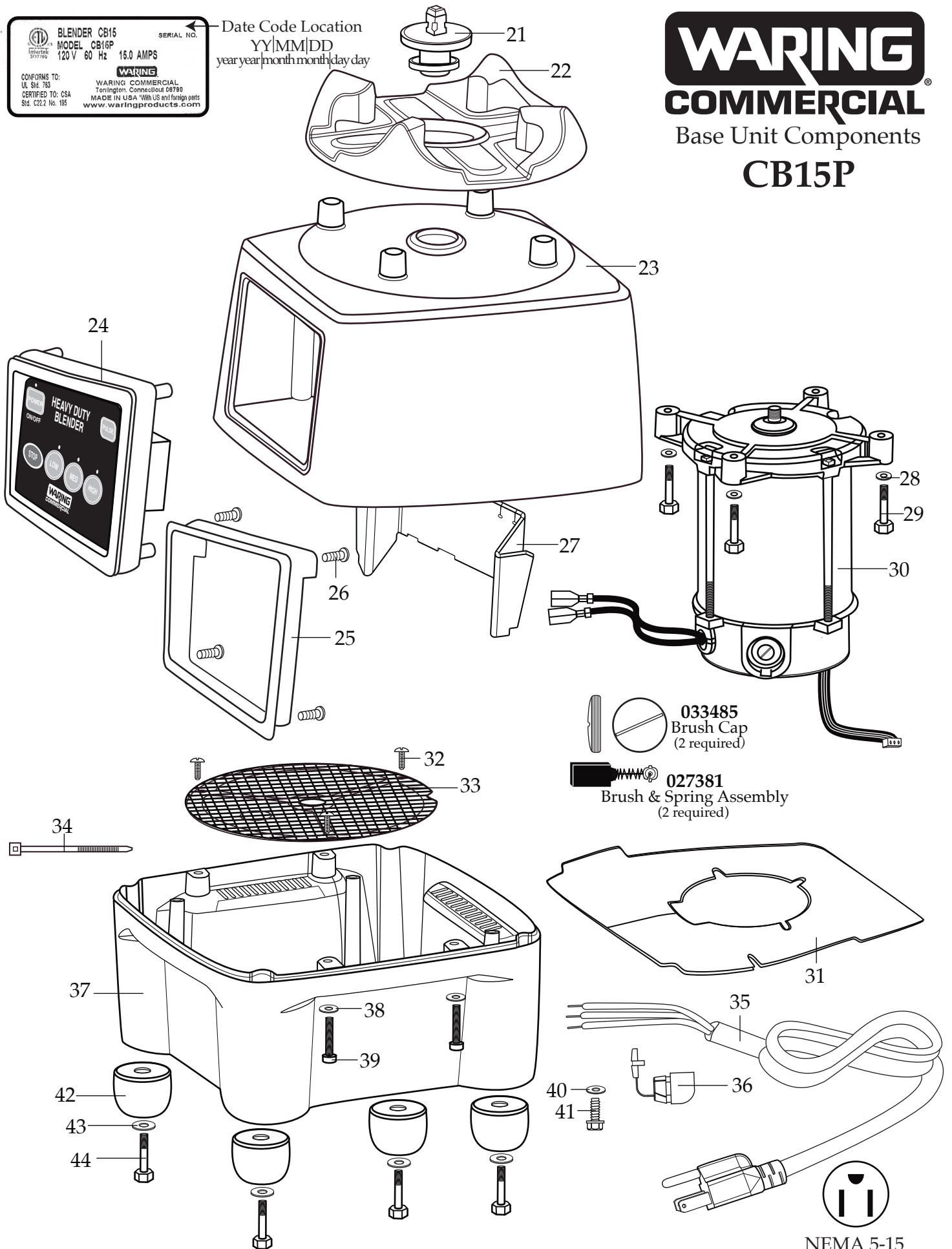
Date Code Location
 YY|MM|DD
 year year month month day day

WARING

COMMERCIAL

Base Unit Components

CB15P





033485
 Brush Cap
 (2 required)


027381
 Brush & Spring Assembly
 (2 required)



NEMA 5-15

Illustration#	Part#	Description
1	028530	Jar Lid Cover
2	028226	Container Lid
3	030118	Plastic Gallon Container
4	502977	Complete Blending Assembly
5	004946	Special Washer
6	012008	Lock Nut
7	002972	Cap Nut
8	027581	Flat Washer (2 required)
9	027683	Blade
10	018389	"O" Ring
11	027582	Bearing Cap
12	018390	Small "V" Ring
13	023934	Bearing Holder
14	025817	Key
15	018386	Bearing (2 required)
16	023926	Spacer
17	023907	Spring Washer
18	023927	Retaining Ring
19	023906	Large "V" Ring
20	023933	Drive Shaft
21	503328	Coupling with Magnet Ring
22	025871	Jar Pad
23	028025	Top Housing
24	030893	Control Panel
25	029888	Rear Control Panel
26	026497	Screw (4 required)
27	030453	Control Panel Baffle
28	002984	Washer (4 required)
29	016691	Screw (4 required)
30	035520	Leili Motor
31	026318	Baffle
32	026500	Screw (6 required)

Illustration#	Part#	Description
33	018791	Screen
34	013731	Cable Tie (1 required)
35	503329	Cord Set
36	018811	Strain Relief
37	026317	Bottom Housing
38	002984	Washer (4 required)
39	026412	Screw (4 required)
40	002943	Ground Washer
41	027278	Ground Screw
42	026296	Foot (4 required)
43	018314	Washer (4 required)
44	026493	Screw (4 required)

