

Technical Data

Plan View

Dimensions

Exterior Dimensions (Inches)	27" x 31.5" x 83.25"
Interior Dimensions (Inches)	22" x 27" x 58"
Packaging Dimensions (Inches)	28.7" x 33.1" x 88.5"
Capacity (cu. ft.)	21 cu. ft.
Gross Weight (lbs)	254 lbs

Construction

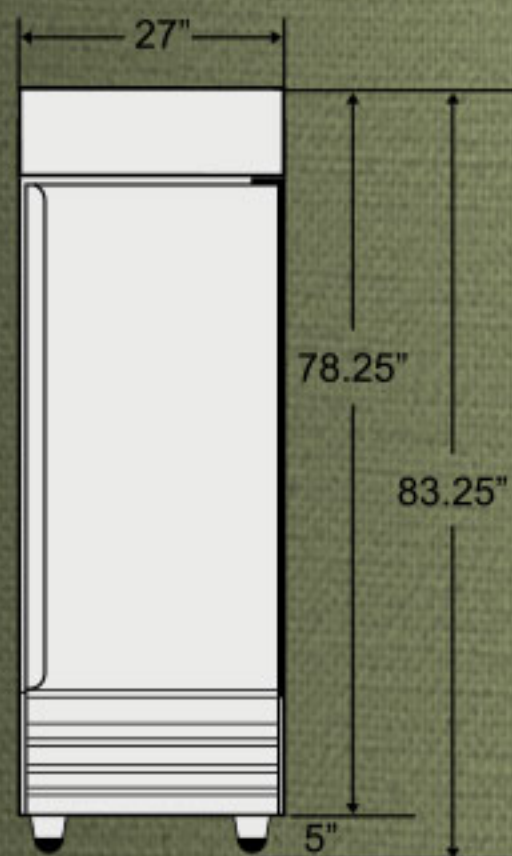
Exterior Material	430 series stainless steel
Interior Material	430 series stainless steel
Insulation Material	Polyurethane
Insulation Thickness (mm)	60
# of Doors	1
# of Shelves	3
Shelf Material	Plastic coated steel
Shelf Load Capacity (lbs/pc)	155 lbs

Cooling

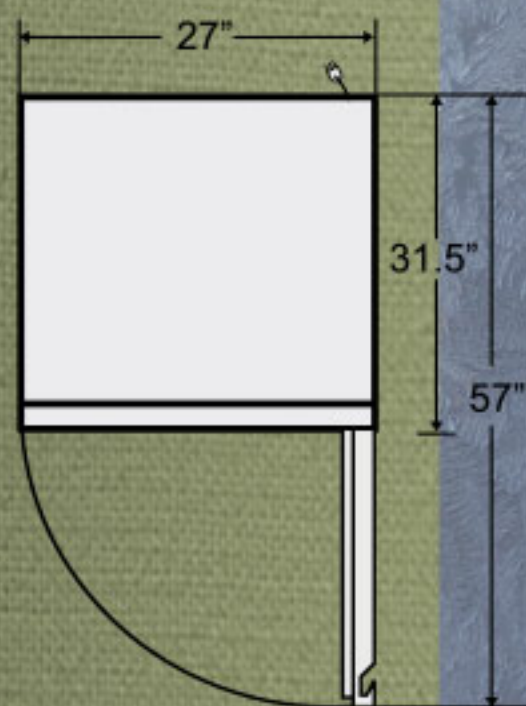
Temperature Range	33° ~ 40° F
Refrigerant	R290
Refrigerant Amount (oz)	9.2
Maximum Ambient Temperature Rating	90° F
Defrost Method	Air Defrost
Defrost Power (W)	0
Cooling Method	Ventilated
Temperature Controller	Digital
Compressor H/P	1/4

Electrical

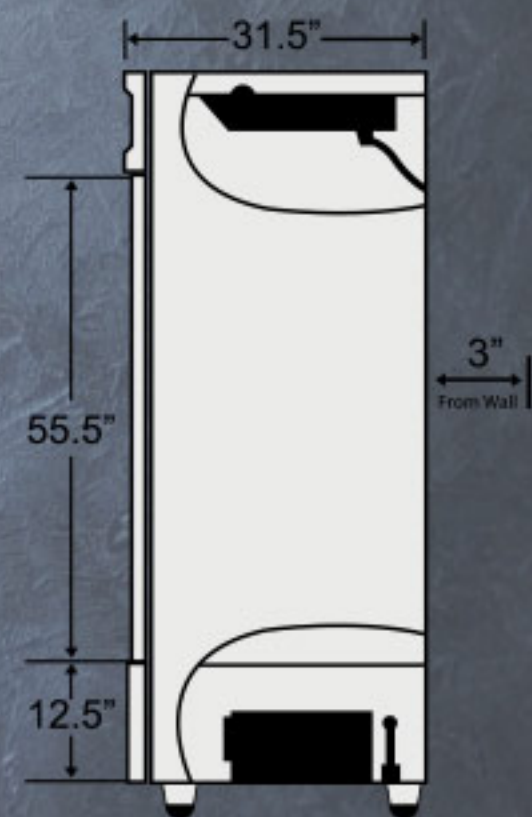
Voltage (v/Hz)	115/60
Power (W)	365
Power Consumption (kw/24hr)	2
Phase	1



Front View



Top View



Side View

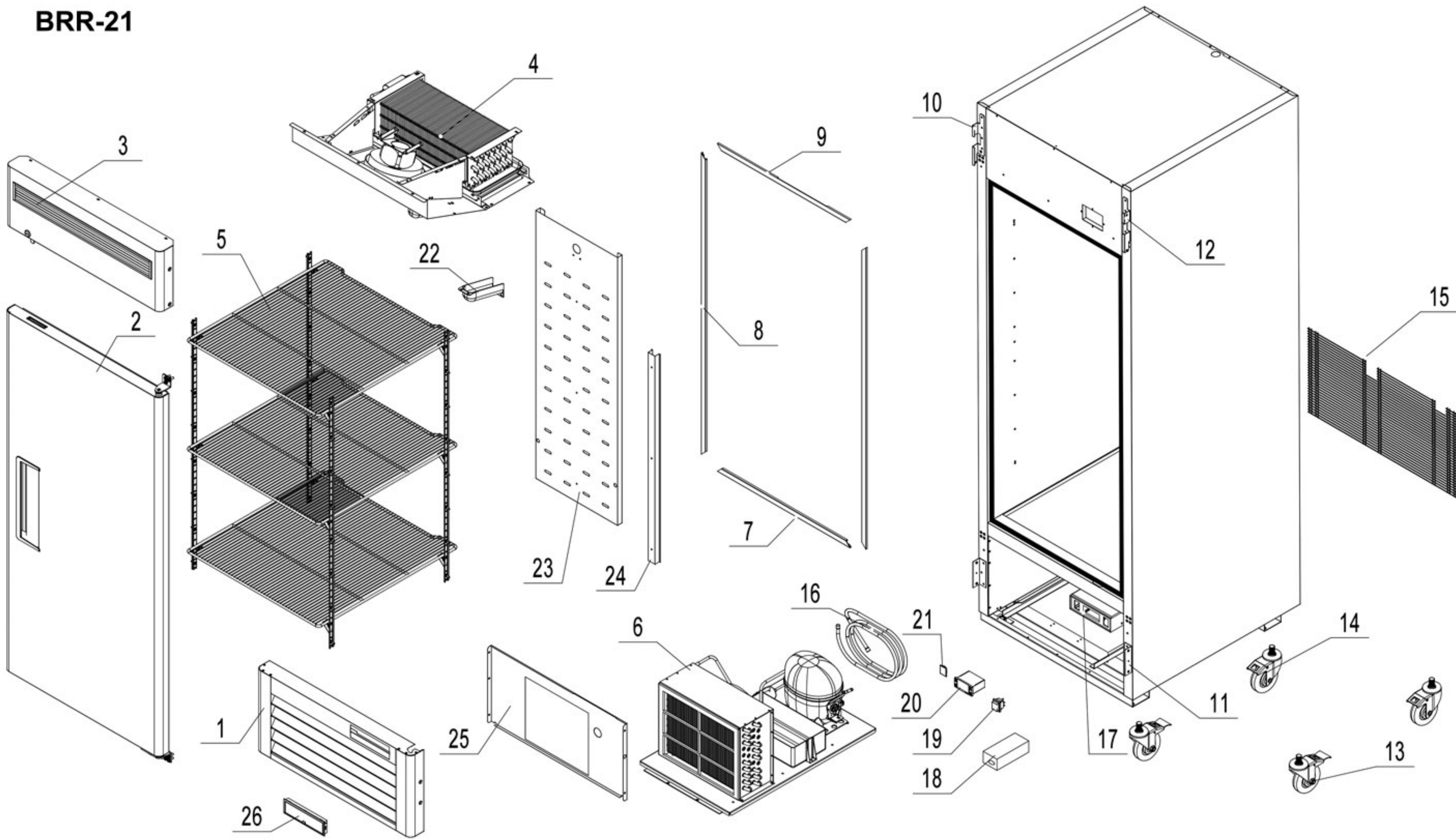


NEMA 5-15P



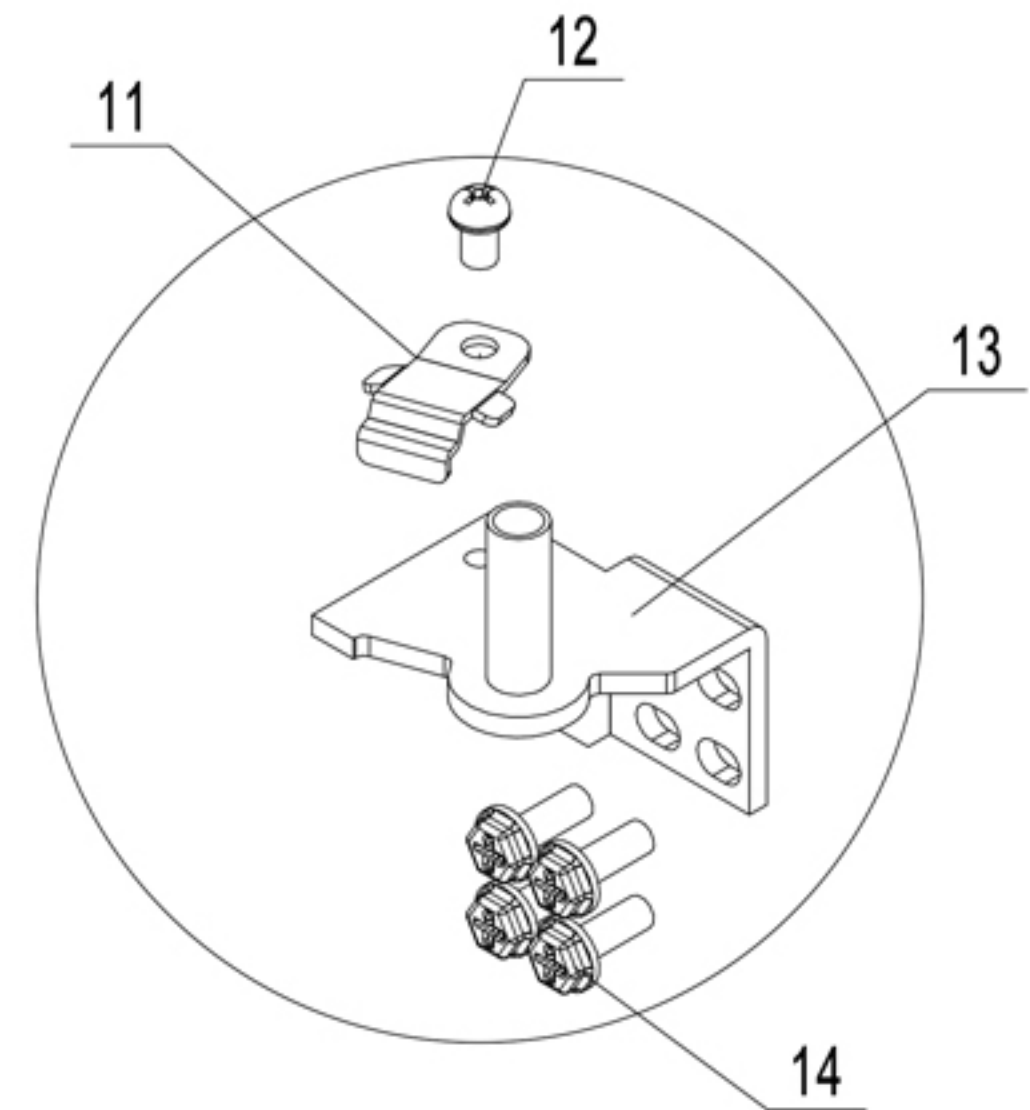
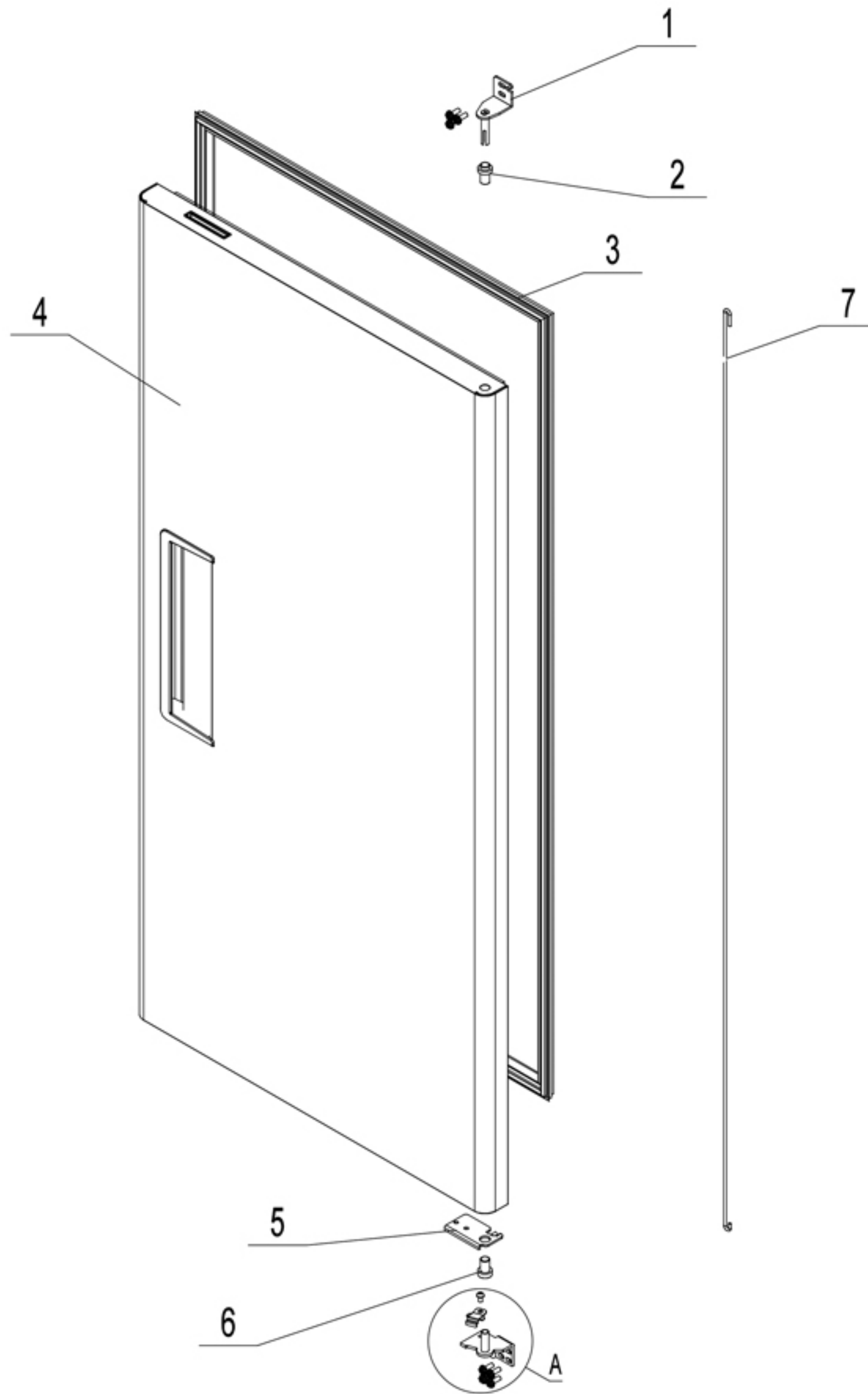
COMPLIES WITH ANSI/NSF 7 FOR FOOD SERVICE

BRR-21



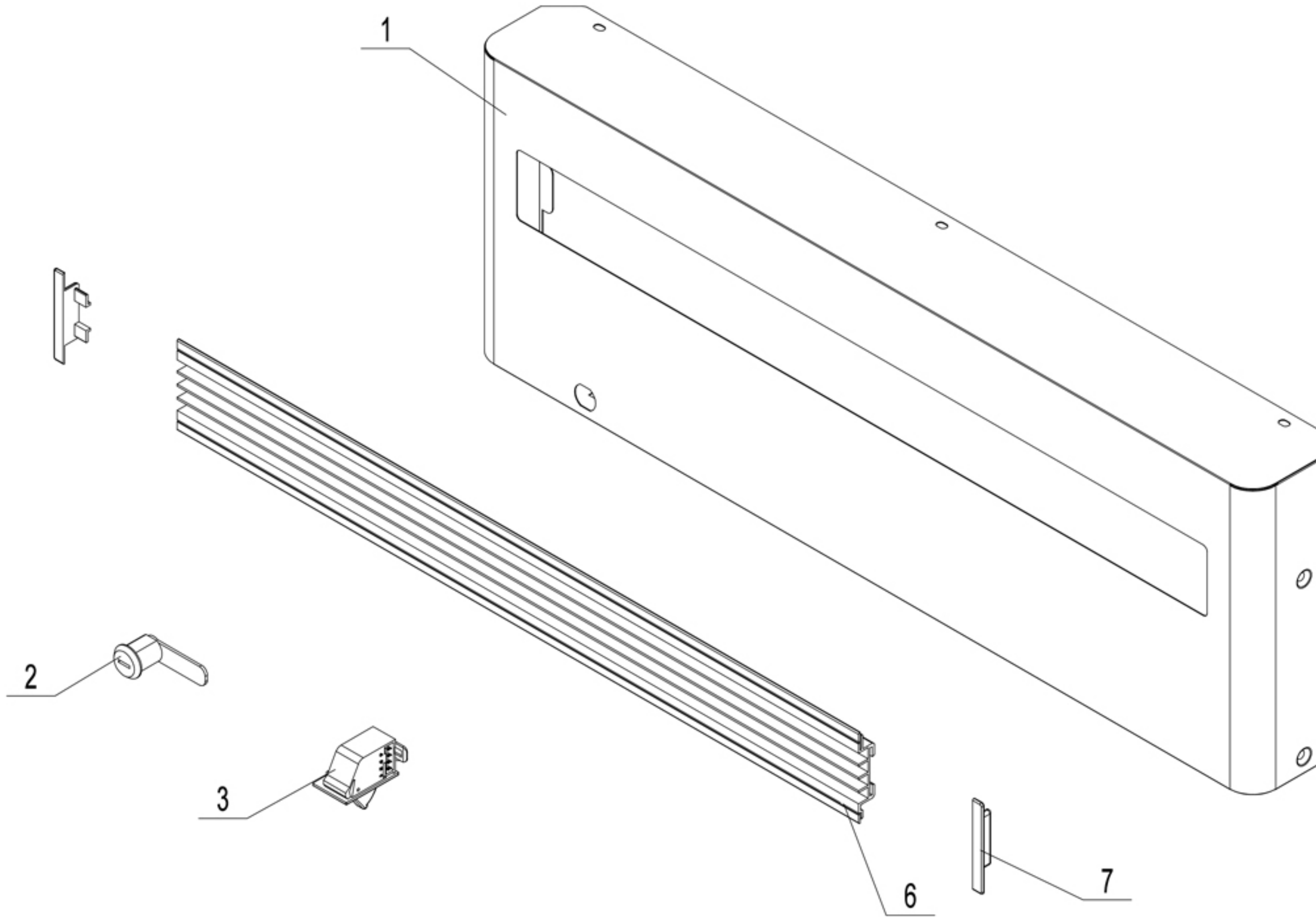
26	W0409882	Controller Cover		1	17	W0409883	Controller Braket		1	8	W0410446	Left-Right Frame Cover		2			
25	85011901	Wind deflector unit	GI	1	16	W0210535	Low Presure Coil Back to Comp		1	7	W0410456	Bottom Frame Cover		1			
24	80011041	Back wind deflector stents		1	15	W0402273	Back Bottom Barriar		1	6	85050451	Comp&Cond Assembly		1			
23	80011042	Back wind deflector		1	14	B0604413	4" Castor Without Brake		2	5	85010452	Shelf Assembly		1			
22	W0409081	A drain protection	ABS	1	13	B0604421	4" Castor With Brake		2	4	85050450	Evaporator Assembly		1			
21	W0409884	Switch plug	ABS	1	12	85041609	Right Fastener For Top Panel		1	3	85010450	Top Panel Assembly		1			
20	W0302163	Digital Controller		1	120V	11	85041801	Fastener For Bottom Panel		2	2	85010402	Door Assembly		1		
19	W0308019	Power Switch	(GREEN)	1		10	85041610	Left Fastener For Top Panel		1	1	85010420	Bottom Panel		1		
18	W0399115	LED Power	15W	1		9	W0410455	Top Frame Cover		1		Material code	English Name		MATERIAL	QUANTITY	Remark

BRR-21 Door Assembly



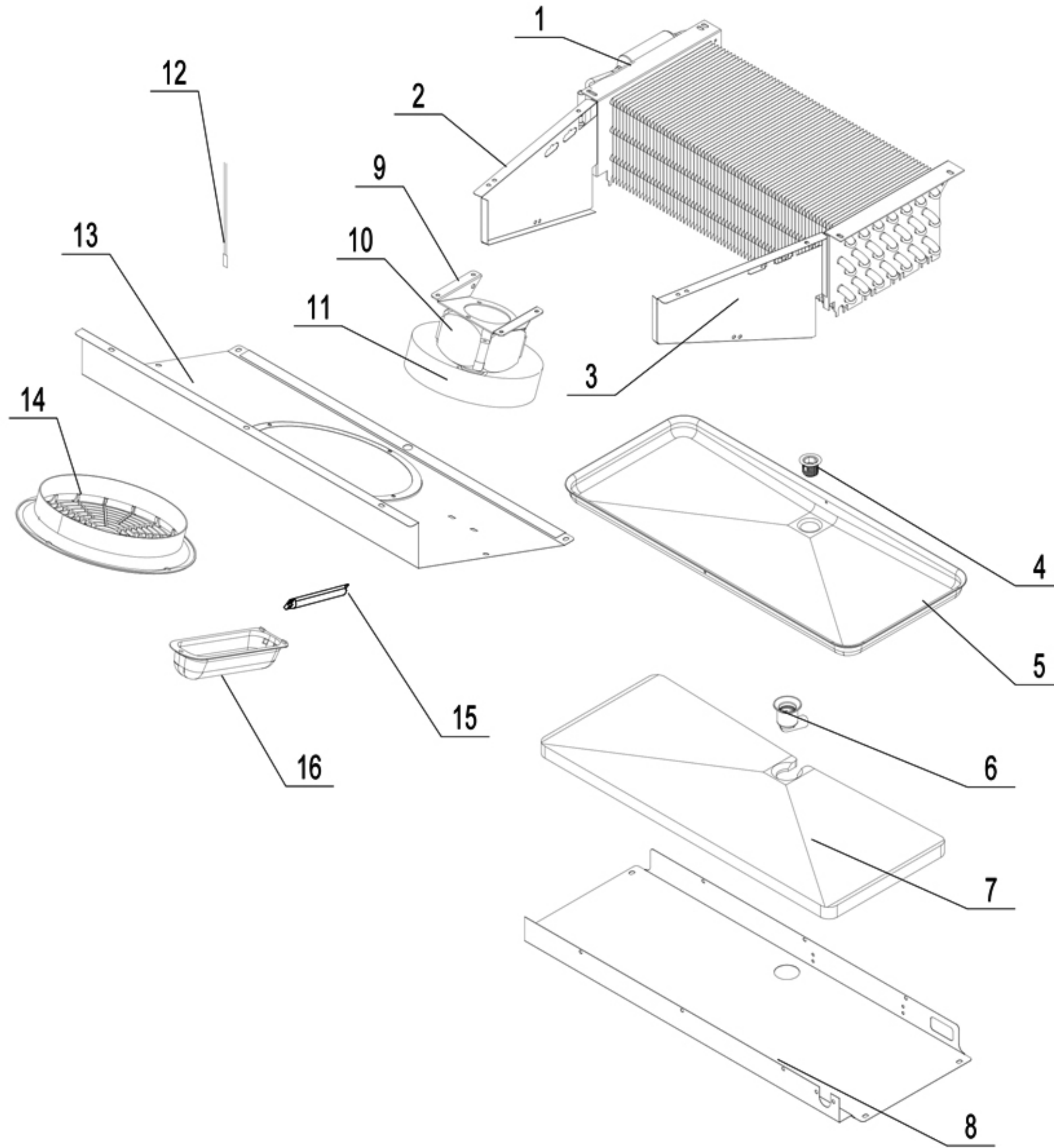
14	B0506044	Screw M6x16			7	
13	W0604024	Right-Bottom Hinge		SUS304	1	
12	B0599270	SS Screw M6x8			1	
11	W0604038	Door Brake-Bottom		SUS304	1	
7	W0604401	Door Spring Bar			1	
6	W0409843	Door Shaft Sleeve-Bottom		PA66	1	
5	W0604030	Door Brake -Right		SUS304	1	
4	85010201	Right Door			1	
3	W0404601	Door Gasket			1	
2	W0409842	Door Shaft Sleeve-Top		PA66	1	
1	W0604022	Right-Top Hinge		SUS304	1	
	Material code	English Name		MATERIAL	QUANTITY	Remark

BRR-21 Top Panel Assembly



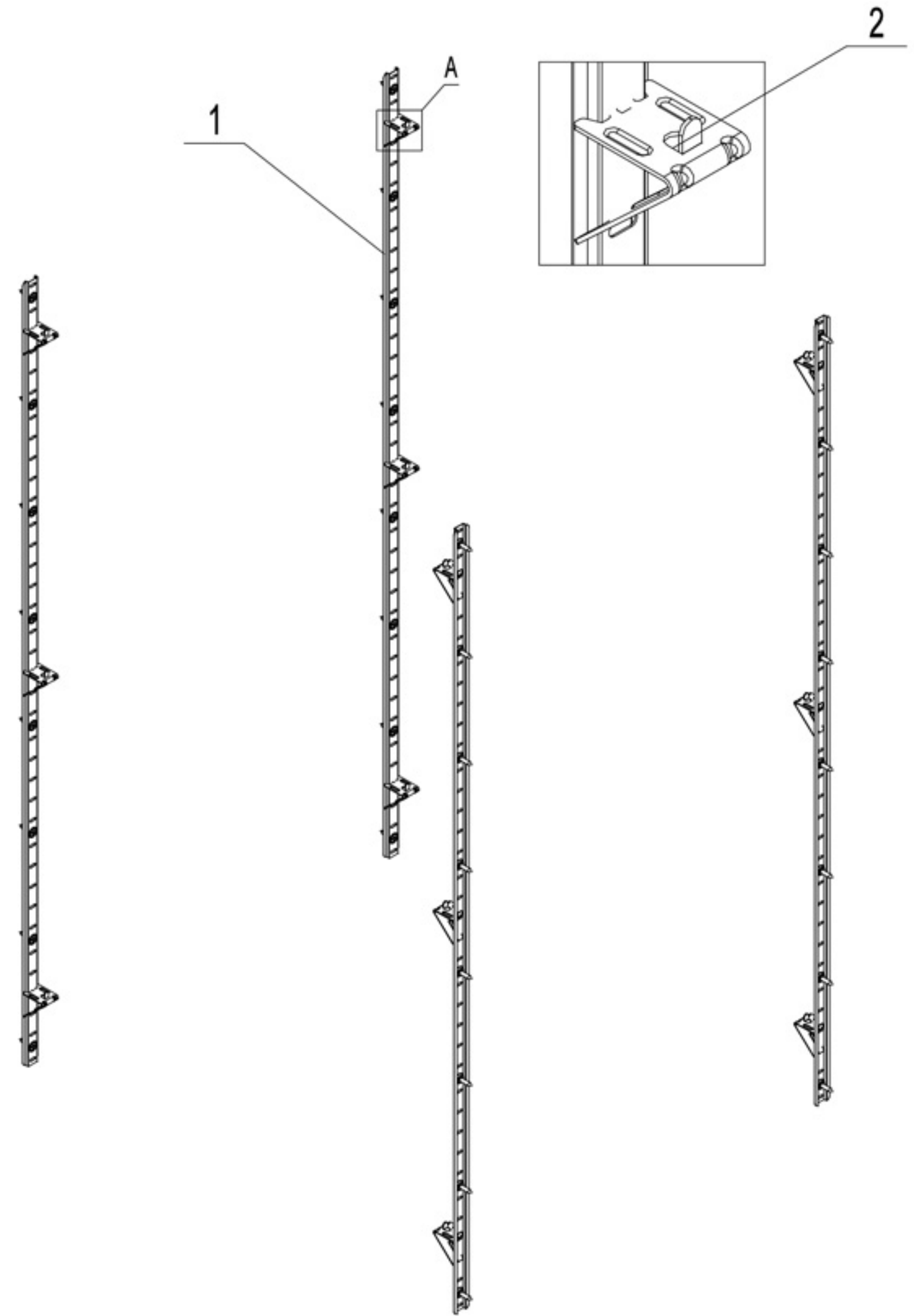
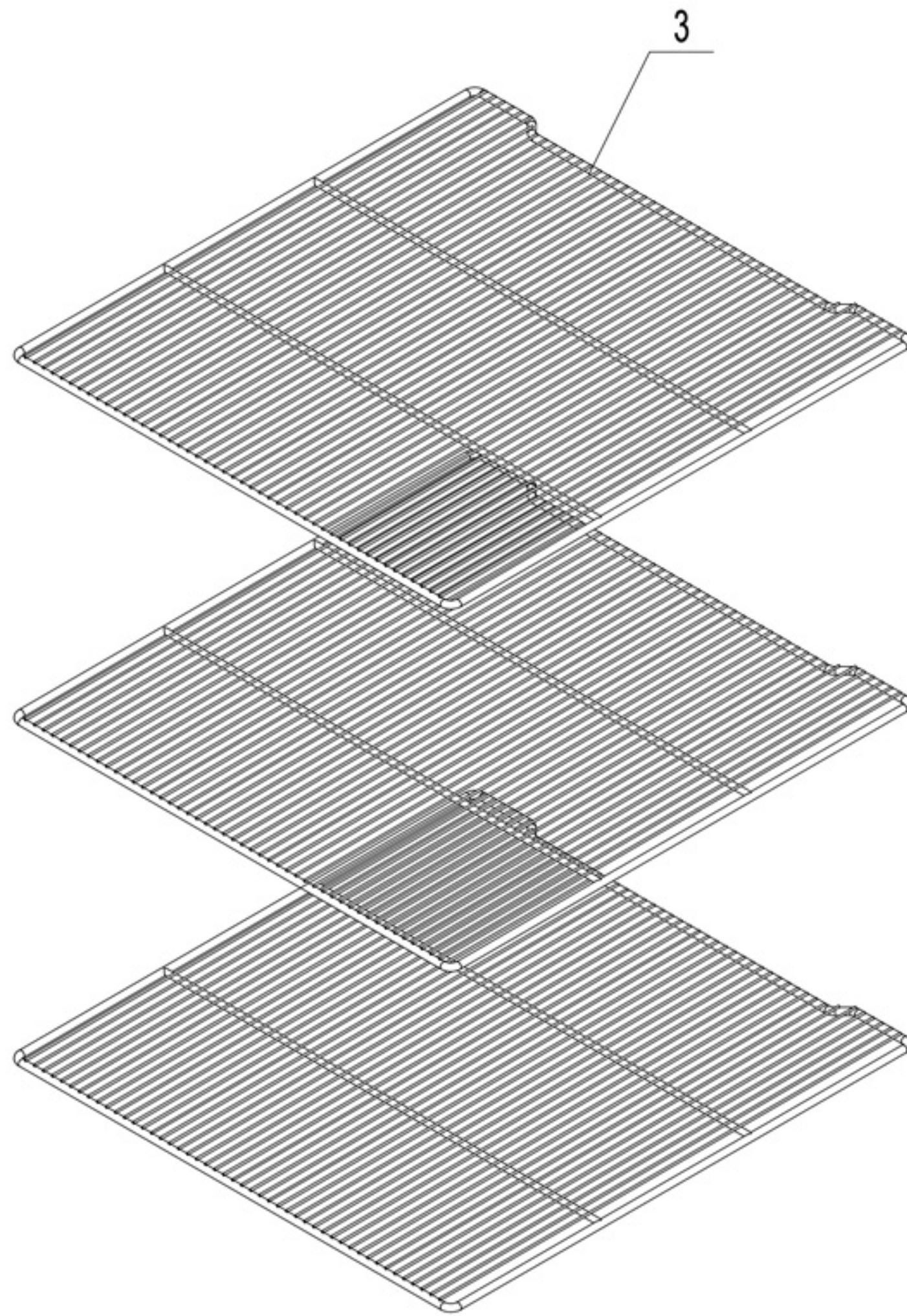
7	W0409272	Black Grille Clip		ABS	2	
6	W0410351	Black Grille		PVC	1	
3	W0308012	Door Switch			2	
2	W0604007	Lock			1	
1	85011414	Top Panel		SUS430	1	
	Material code	English Name		MATERIAL	QUANTITY	Remark

BRR-21 Evaporator Assembly



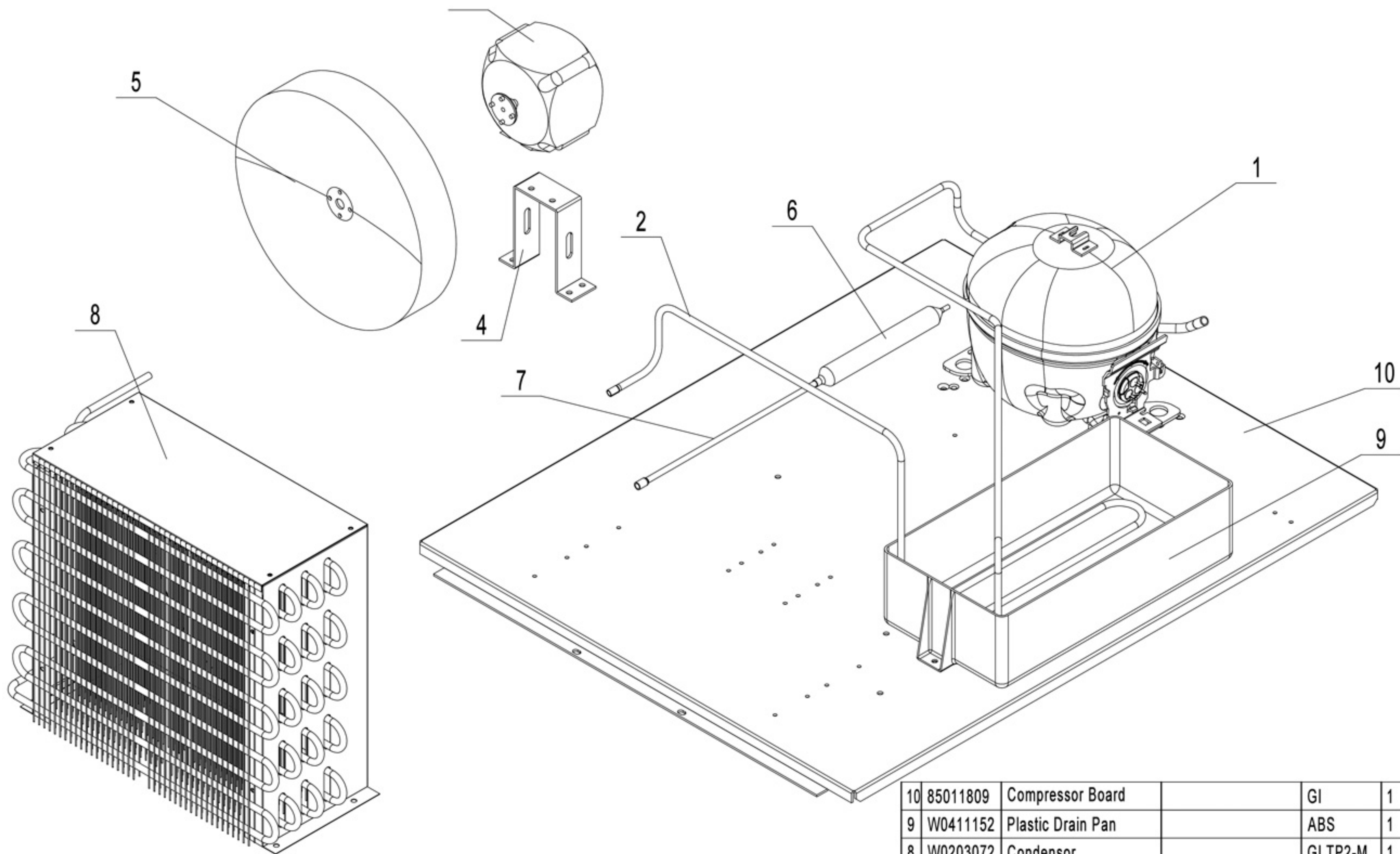
16	W0409863	Lamp Cover		PC1302	1	
15	W0304086	Lamp			1	
14	W0409080	Evap Fan Motor Cover		ABS	1	
13	85011206	Evap Front Cover		SUS430	1	
12	W0302304	Room Temp Probe			1	
11	W0301059	Evap Fan Blade		AL/Ø172	1	
10	W0301904	Eavp Fan Motor			1	
9	80021501	Evap Fan Braket		SUS304	1	
8	85011205	Drain Pan Cover		SUS430	1	
7	W0803011	Drain Pan Foam		EPS	1	
6	W0409858	Drain Hose Connector A		PA66	1	
5	80012001	Drain Pan		AL	1	
4	W0409859	Drain Hose Connector B		PA66	1	
3	80021204	Evap Right Cover		SUS430	1	
2	80021203	Evap Left Cover		SUS430	1	
1	W0202117	Evaperator		AL TP2-M	1	
	Material code	English Name		MATERIAL	QUANTITY	Remark

BRR-21 Shelf Assembly



3	W0402393	Shelf			3	
2	66490313	Shelf Clip		SUS430	12	
1	80037410	Pilastor For Shelf		SUS430	4	
	Material code	English Name		MATERIAL	QUANTITY	Remark

BRR-21 Compressor & Condenser Assembly



10	85011809	Compressor Board		GI	1	
9	W0411152	Plastic Drain Pan		ABS	1	
8	W0203072	Condensor		GI TP2-M	1	
7	W0210537	Connecting Coil to Condenser		TP2-M	1	
6	W0204101	Dry Filter			1	
5	W0301061	Condenser Fan Blade		AL/Ø230	1	
4	80061601	Condenser Fan Braket		GI	1	
3	W0301905	Condensor Fan			1	
2	W0210536	High Presure Coil		TP2-M	1	
1	W0201163	Compressor			1	
	Material code	English Name		MATERIAL	QUANTITY	Remark