



Refrigerated Countertop Display Case



BDRCTD-120

BDRCTD-160

Product Description

Give your baked goods the spotlight they deserve while keeping them at the perfect temperature with these Refrigerated Display Cases. LED lighting at the top of each unit will brilliantly illuminate all of your decadent desserts. Built to safely display food in open containers, pans or platters, this merchandiser also features glass on all sides to maximize product visibility from all angles.

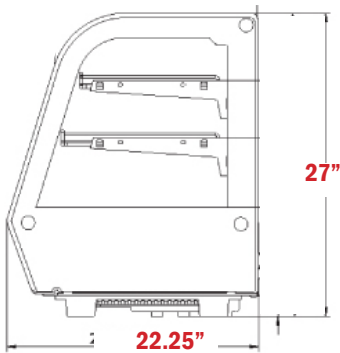
The sliding glass doors allow easy access, while the glass front tilts out for easy cleaning. These units use eco-friendly R290 refrigerant and are able to consistently maintain temperatures from 32° - 53.6° degrees Fahrenheit.

Features

- Brilliant Internal LED illumination on top
- Digital temperature controller and display
- Adjustable shelves
- Front curved glass and double glass on all sides
- Sliding doors
- Ventilated cooling system
- Automatic defrost
- Eco-friendly R290 refrigerant
- Stainless steel
- Maintenance free condenser

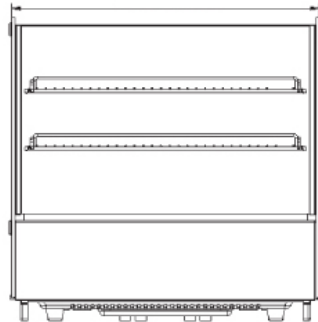
Plan Views

Side View



Front View

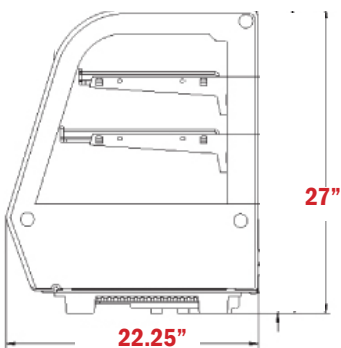
28"



Specifications

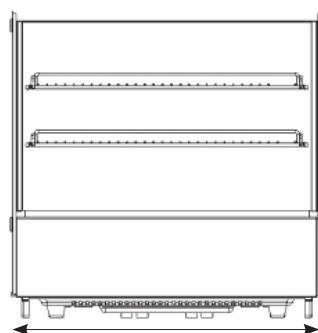
Model Number	BDRCTD-120
Rated Input Power	199W
Refrigerant	R290
Voltage/Hertz/Phase	110/60/1
Amps	1.8
Net Weight (lbs)	125.7 lbs
Gross Weight (lbs)	132 lbs
Shelf Size (in)	14.5"L x 25"W
Net Volume (Cu. Ft.)	4.2 Cu. Ft
Overall Dimensions (in)	28"L x 22.25"W x 27"H
Shipping Dimensions (in)	30.5"L x 25"W x 29.25"H
Temperature Range (° F)	32°F - 53.6°F

Side View



Front View

35"



Model Number	BDRCTD-160
Rated Input Power	201W
Refrigerant	R290
Voltage/Hertz/Phase	110/60/1
Amps	3
Net Weight (lbs)	145.7 lbs
Shelf Size (in)	14.5"L x 32"W
Net Volume (Cu. Ft.)	5.2 Cu. Ft
Overall Dimensions (in)	35"L x 22.5"W x 27"H
Shipping Dimensions (in)	37.5"L x 25"W x 29.25"H
Temperature Range (° F)	32°F - 53.6°F