



SIMPLICITY™ BUBBLER® DOUBLE BOWL

Project Date Models **CS-2D-16, CS-2D-16-S,**
CS-2D-22, CS-2D-22-S Item# Quantity



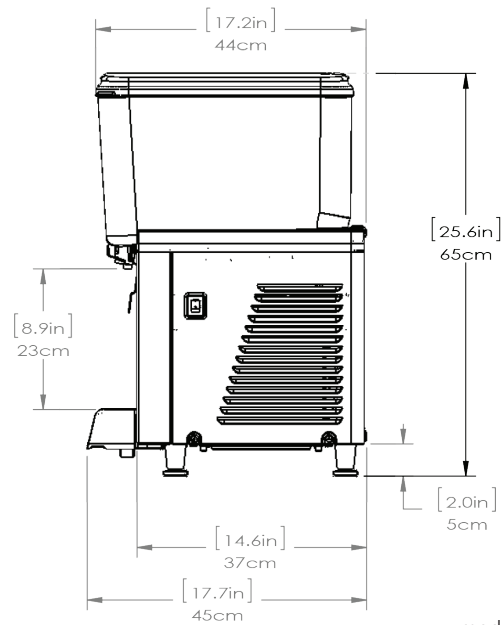
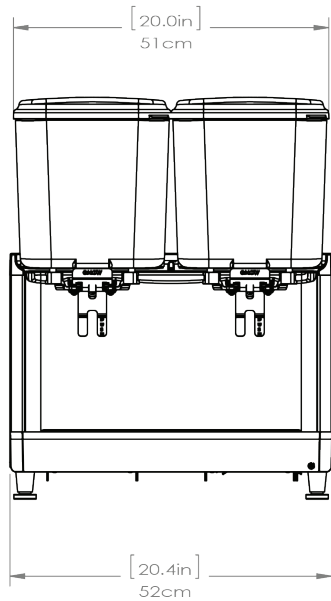
model CS-2D-16

Features

- Pre-mix dispenser with stainless steel base and clear plastic bowls.
- Spray or Agitation model available.
- Agitation function for fresh juices, coffees, or teas with minimal foaming system.
- Spray function attracts more customers with dynamic moving product.
- New easy-off bowl release system for faster and easier assembly and disassembly.
- Compact size of 20.4" (52 cm) wide saves valuable counter space.
- Can be placed side by side, due to air intake from bottom and exhaust to back.
- Two flavors dispensed with 4.75 gallon (18 L) easy-clean bowls with 9" (23 cm) cup clearance.
- User friendly design enables machine to dispense product till the very last drop.
- Less wear, providing longer lifetime of parts.
- Fewer removable parts to simplify cleaning and reduce maintenance.
- Temperature range from 35 - 41° F (1.7 - 5° C).

Models & Dimensions

Simplicity™ Bubbler® Double Bowl



model CS-2D represented

Specifications

Model	Description	Electrical	Product Dimensions (H x W x D)	Ship Weight in Two boxes
CS-2D-16 Base: (231-00234) Bowl: (231-00302)	(2) 4.75 gallon (18 L) bowls, agitator model. cULus, NSF Certification	115V / 60 Hz / 8.5A	25.5" x 20.4" x 17.7" (65 cm x 52 cm x 45 cm)	Total: 110 lbs. (50 kg) Base: 73 lbs. (33 kg) Bowl: 38 lbs. (17 kg)
CS-2D-16-S Base: (231-00236) Bowl: (231-00303)	(2) 4.75 gallon (18 L) bowls, spray model. cULus, NSF Certification	115V / 60 Hz / 8.5A	25.5" x 20.4" x 17.7" (65 cm x 52 cm x 45 cm)	Total: 110 lbs. (50 kg) Base: 73 lbs. (33 kg) Bowl: 38 lbs. (17 kg)
CS-2D-22 Base: (231-00234) Bowl: (231-00302)	(2) 4.75 gallon (18 L) bowls, agitator model. cULus, NSF, CE, CCC, KTC Certification	230V / 50/60 Hz / 4.0A	25.5" x 20.4" x 17.7" (65 cm x 52 cm x 45 cm)	Total: 110 lbs. (50 kg) Base: 73 lbs. (33 kg) Bowl: 38 lbs. (17 kg)
CS-2D-22-S Base: (231-00236) Bowl: (231-00303)	(2) 4.75 gallon (18 L) bowls, spray model. cULus, NSF, CE, CCC, KTC Certification	230V / 50/60 Hz / 4.0A	25.5" x 20.4" x 17.7" (65 cm x 52 cm x 45 cm)	Total: 110 lbs. (50 kg) Base: 73 lbs. (33 kg) Bowl: 38 lbs. (17 kg)

Options

- Condenser Filter (210-00118)** - Protect your condenser with a simple and easy to clean filter
- Merchandiser Kit for Double Bowl Models (231-00293)** - Attract more customers to unit with extra graphics
- BPA-Free Bowl (231-00010T)** - Dishwasher safe 18L bowl - *minimum order quantities required*
- BPA-Free Bowl Lid (210-00126T)** - Dishwasher safe lid for 18L bowl - *minimum order quantities required*
- BPA-Free Pump Cover (210-00128T)** - Dishwasher safe
- Liquid Autofill Control Box (250-00051)** - Not for use with RO water systems

