



# SIMPLICITY™ BUBBLER® SINGLE BOWL

Project                      Date                      Models **CS-1D-16, CS-1D-16-S,  
CS-1D-22, CS-1D-22-S**                      Item#                      Quantity



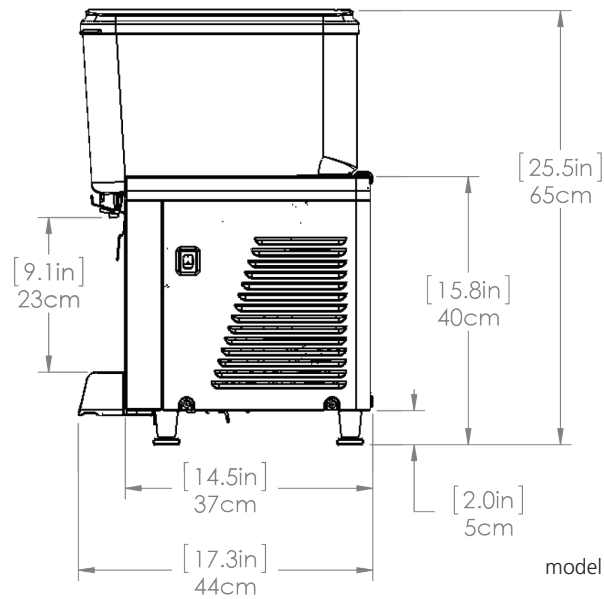
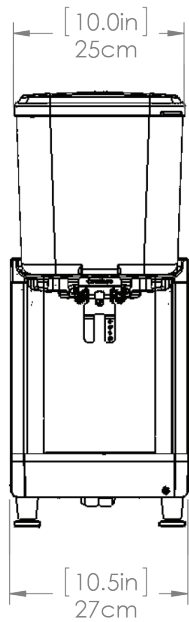
model CS-1D-16

## Features

- Pre-mix dispenser with stainless steel base and clear plastic bowls.
- Spray or Agitation model available.
- Agitation function for fresh juices, coffees, or teas with minimal foaming system.
- Spray function attracts more customers with dynamic moving product.
- New easy-off bowl release system for faster and easier assembly and disassembly.
- Compact size of 10.5" (27 cm) wide saves valuable counter space.
- Can be placed side by side, due to air intake from bottom and exhaust to back.
- 4.75 gallon (18 L) easy-clean bowl with 9" (23 cm) cup clearance.
- User friendly design enables machine to dispense product till the very last drop.
- Less wear, providing longer lifetime of parts.
- Fewer removable parts to simplify cleaning and reduce maintenance.
- Temperature range from 35 - 41° F (1.7 - 5° C).

# Models & Dimensions

## Simplicity™ Bubbler® Single Bowl



model CS-1D-16 represented

## Specifications

Model	Description	Electrical	Product Dimensions (H x W X D)	Ship Weight in Two Boxes
<b>CS-1D-16</b> Base: (231-00001) Bowl: (231-00003)	(1) 4.75 gallon (18 L) bowl, agitator model. <b>cULus, NSF Certification</b>	115V / 60 Hz / 3.6A	25.3" x 10.5" x 17.6" (64 cm x 27 cm x 45 cm)	Total: 72 lbs. (32.7 kg) Base: 53 lbs. (24 kg) Bowl: 19 lbs. (8.6 kg)
<b>CS-1D-16-S</b> Base: (231-00197) Bowl: (231-00195)	(1) 4.75 gallon (18 L) bowl, spray model. <b>cULus, NSF Certification</b>	115V / 60 Hz / 3.6A	25.3" x 10.5" x 17.6" (64 cm x 27 cm x 45 cm)	Total: 72 lbs. (32.7 kg) Base: 53 lbs. (24 kg) Bowl: 19 lbs. (8.6 kg)
<b>CS-1D-22</b> Base: (231-00001) Bowl: (231-00003)	(1) 4.75 gallon (18 L) bowl, agitator model. <b>cULus, NSF, CE, CCC, KTC Certification</b>	230V / 50/60 Hz / 1.5A	25.3" x 10.5" x 17.6" (64 cm x 27 cm x 45 cm)	Total: 72 lbs. (32.7 kg) Base: 53 lbs. (24 kg) Bowl: 19 lbs. (8.6 kg)
<b>CS-1D-22-S</b> Base: (231-00197) Bowl: (231-00195)	(1) 4.75 gallon (18 L) bowl, spray model. <b>cULus, NSF, CE, CCC, KTC Certification</b>	230V / 50/60 Hz / 1.5A	25.3" x 10.5" x 17.6" (64 cm x 27 cm x 45 cm)	Total: 72 lbs. (32.7 kg) Base: 53 lbs. (24 kg) Bowl: 19 lbs. (8.6 kg)

## Options

**Condenser Filter (210-00118)** - Protect your condenser with a simple and easy to clean filter

**Merchandiser Kit (231-00227)** - Attract more customers to unit with extra graphics

**BPA-Free Bowl (231-00010T)** - Dishwasher safe 18L bowl - *minimum order quantities required*

**BPA-Free Lid (210-00126T)** - Dishwasher safe lid for 18L bowl - *minimum order quantities required*

**BPA-Free Pump Cover (210-00128T)** - Dishwasher safe

**Liquid Autofill Control Box (250-00051)** - Not for use with RO water systems

