

Item#

Project

Date

Models: B-3, B-3WL, B-3WR



Models B-3, B-3WL, & B-3WR



Model B-3
(Decanters sold separately)



Model B-3WL
(Also available with right side warmers: B-3WR)
(Decanters sold separately)

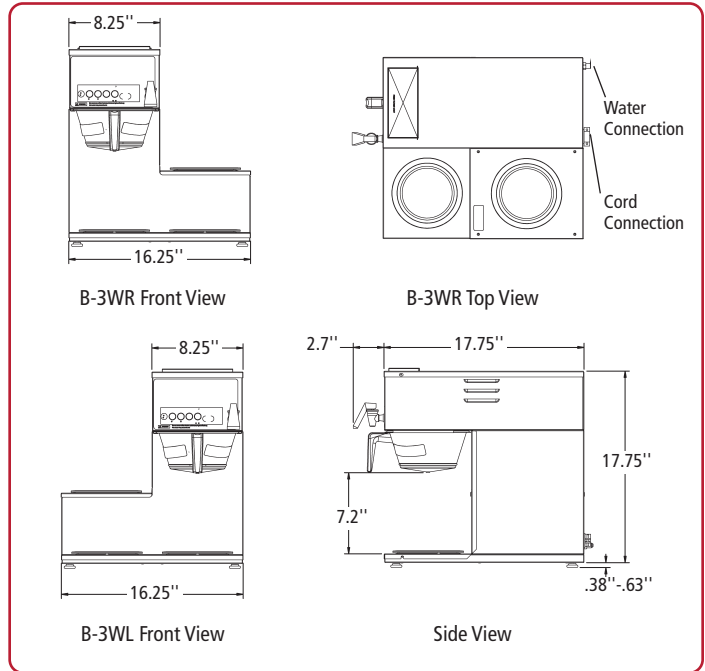
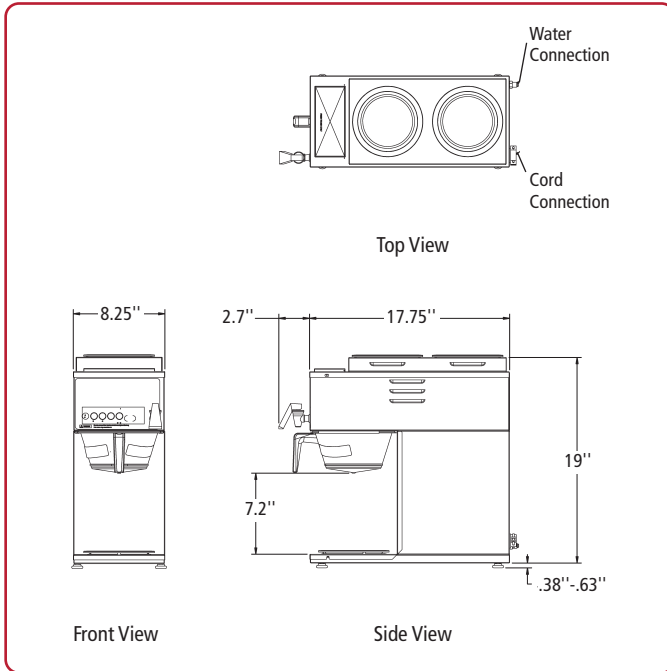
Features

- Model B-3 is a single, digitally controlled brewer. It has one warmer under the brew basket and two warmers on top (Decanters sold separately).
- Model B-3WR is a single, digitally controlled brewer. It has one warmer under the brew basket and two warmers on the right side (Decanters sold separately).
- Model B-3WL is a single, digitally controlled brewer. It has one warmer under the brew basket and two warmers on the left side (Decanters sold separately).
- Precise Brew Temperature - The brewer will hold the brew temperature to +/- 1°F during the complete brew cycle.
- Brew Volume - Can be set by 'teach' mode to eliminate trial-and-error set-up.
- Pulse brewing/pre-infusion - Allows the brew sequence to extract up to 20% more dissolved solids per batch of coffee. Programmable: number of pulses, pulse-on time and pulse-off time. Changing the pulse sequence does not affect the brew volume.
- Low Temp/No Brew - Allows the brew cycle to begin only when the water has reached the optimum brew temperature.
- Cycle Counter - The brewer counts the total number of brew cycles.
- Programming Lock-Out - The brewer settings can be "locked" to prevent tampering.
- Energy Savings/Coffee Old - The warmers can be programmed to shut off up to 240 minutes from the last brew cycle.
- Pour-Over Capability - Automatically converts to pour-over mode when the inlet valve does not sense water. Also capable of being manually set to pour-over mode through the front.
- Dual Voltage with toggle switch models are available to accept 120/240V or 120V supply.

Models & Dimensions

B-3 Single, Digitally Controlled Decanter Brewer.
 Warmers: 1 Bottom, 2 Top.

B-3WL / B-3WR Single, Digitally Controlled Decanter Brewer.
 Warmers: 1 Bottom, 2 Side (B-3WL, Left, B-3WR, Right)



Specifications

NEMA 5-15R
 120V Models Only*

Model	Description	Dimensions (H x W x D)	Ship Dimensions (H x W x D)	Electrical	Ship Weight
B-3(E)	Single, digitally controlled decanter brewer. Warmers: 1 bottom, 2 top.	19" x 8.25" x 17.75" (49 cm x 21 cm x 45 cm)	22" x 13" x 24" (56 cm x 33 cm x 61 cm)	120V, 1800W, 15A 120/240V, 3800W, 15.9A 120/208V, 2920W, 14.1A	35 lbs. (15.9 kg)
B-3WL(E) B-3WR(E)	Single, digitally controlled decanter brewers. Warmers: 1 bottom, 2 side (left or right indicated by model number).	17.75" x 16.25" x 17.75" (45 cm x 41 cm x 45 cm)	22" x 21" x 24" (56 cm x 53 cm x 61 cm)	120V, 1800W, 15A 120/240V, 3900W, 15.9A 120/208V, 2920W, 14.1A	40 lbs. (18.1 kg)

Plumbing: 1/4" (6.35 mm) flare water line at 30 - 80 psi required. **Electrical:** *Line cord and Nema 5-15P plug included with 120V models only. Export voltage available (E models), see International guide. **Brew Capacity:** (64 oz. decanters per hour) B-3 = (8) at 120V; (16) at 240V; (15) at 208V. B-3WR / B-3WL = (9) at 120V; (16) at 240V; (15) at 208V. **Listings:** UL, NSF, (CE for E models only). **Note:** Decanters sold separately. Contact Grindmaster-Cecilware™ for more information. Specifications subject to improvement or change without notice.

