

# SIDE MOUNT GLASS DOOR UNDERCOUNTER REFRIGERATORS

## Side Mounted Condensing Unit

ET - Series • ETGSR2 • ETGR2 • ETGWR2



▲ ETGSR2



▲ ETGR2



▲ ETGWR2

### Cabinet Construction

- Heavy duty stainless steel interior / exterior with rounded corners for a hazard-free workspace.
- 16 gauge, high quality stainless steel worktop.
- Galvanized steel bottom and rear.
- 2.5" thick high density polyurethane insulation.
- Four 5" swivel casters with locks on front set.

### Refrigeration System

- Side mounted, self-contained and fully detachable Blizzard R290 condensing unit uses environmentally friendly, EPA-compliant R290 refrigerant with zero (0) Ozone Depletion Potential (ODP) and three (3) Global Warming Potential (GWP). Blizzard R290 is easily replaceable and requires no on-site brazing.
- Electronically commutated (ECM) fan motors achieve rapid cooling with less energy consumption.
- Full-length air duct system ensures optimal circulation of cold air.
- Time-initiated and temperature-terminated auto defrost cycle for seamless operation.
- Large capacity, corrosion-resistant condenser and evaporator coils.
- Self-maintaining, energy-efficient condensate drain pan requires no external drains or electric heaters.
- High performance, auto-reverse condenser fan motor supports compressor ventilation and condenser coil cleaning. Refer to owner's manual for full maintenance instructions.
- Pressure relief devices allow smooth access to cabinet interior when re-opening doors.
- Pre-wired and ready to plug, 115V/60Hz/1Ph, NEMA 5-15P.

### Lighting

- Energy efficient silicone coated and shatter-proof LED lighting provides bright, high color illumination with low heat output.

### Doors

- Low emissivity double glass panes reflect UV rays for efficient cooling.
- Gray PVC door frames.
- Self-closes by weight.
- Removable doors and stainless steel door tracks make cleaning an easy process.

### Shelving

- Two epoxy coated, steel wire shelves per section.
- Height adjustable stainless steel clips.

### Temperature Control

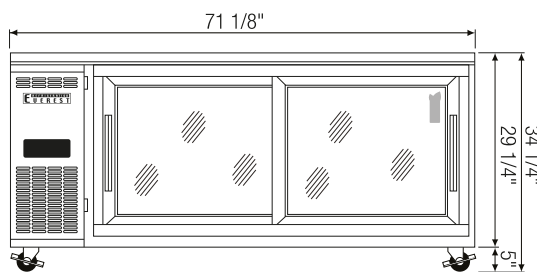
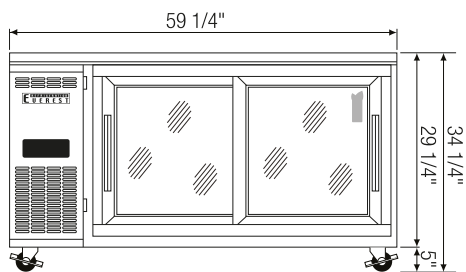
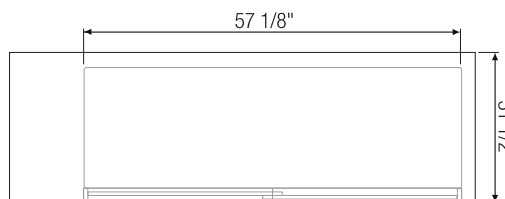
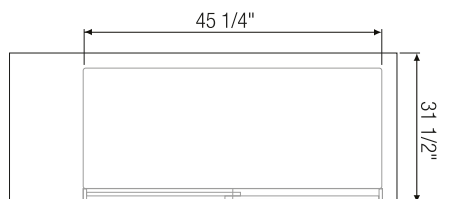
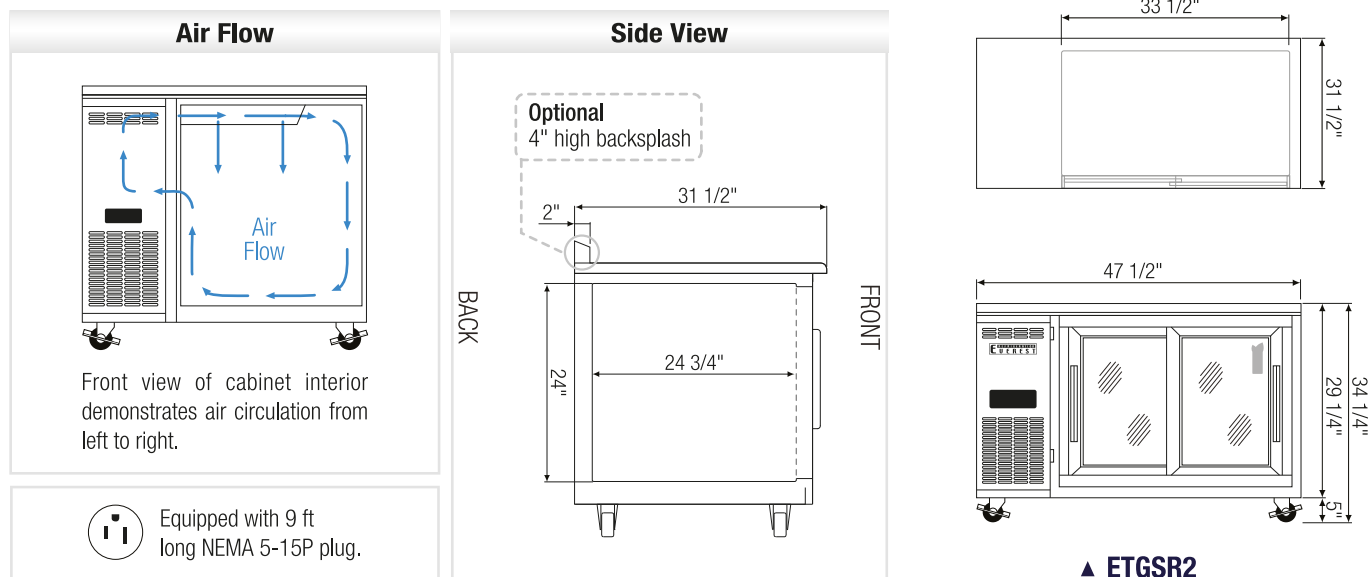
- Multi-function digital controller with easy to read LED display.
- Factory preset temperature, 35°F. Temperature setting range from 33°F to 54°F.
- Audible overheat protection alarm for compressor and condenser coil.

### Options

- 4" high stainless steel backsplash for worktop application.
- Additional shelving.
- 3" swivel casters with locks.
- 3.5" – 6" height-adjustable and interchangeable legs.



## Dimensions



▲ **ETGR2**

▲ **ETGWR2**

Model	Ref/ Frz/ Dual	# of Doors	Capacity (Cu. Ft.)	HP	Refrigerant	# of Shelves	BTU/HR <sup>†</sup>	Power (V-Hz-Ph)	Amps	Crated Weight (LBS)	Exterior Dimensions (Inches)		
											L	D	H*
ETGSR2	Ref	2 (sliding)	13	1/3	R290	4	2,311	115-60-1	2.5	268	47 1/2	31 1/2	29 1/4
ETGR2	Ref	2 (sliding)	18	1/3	R290	4	2,311	115-60-1	2.5	308	59 1/4	31 1/2	29 1/4
ETGWR2	Ref	2 (sliding)	22	1/3	R290	4	2,311	115-60-1	2.5	351	71 1/8	31 1/2	29 1/4

\*: Height does not include 5" for casters.

Ref = Refrigerator

†: Based on evaporating temperature of 23°F (-5°C) & condensing temperature of 131°F (55°C).

Specifications subject to change without notice.

Product dimensions are for general purposes and not absolute value. Product capacity ( ) is calculated based on standard industry figures. Slight variations may exist. If dimensions and capacity are critical, please contact Everest Refrigeration.



Please visit our website for updated Energy Efficiency information.