

DRAWERED UNDERCOUNTER REFRIGERATORS

Back Mounted Condensing Unit

ETB - Series • ETBR1-D2 • ETBSR2-D2 • ETBR2-D4 • ETBWR2-D4 • ETBR3-D2



▲ ETBR1-D2



▲ ETBSR2-D2



▲ ETBR2-D4



▲ ETBWR2-D4



▲ ETBR3-D2

Cabinet Construction

- Heavy duty stainless steel interior / exterior with rounded corners for a hazard-free workspace.
- 16 gauge, high quality stainless steel worktop.
- Galvanized steel bottom and rear.
- 2.5" thick high density polyurethane insulation.
- Four 5" swivel casters with locks on front set.

Refrigeration System

- Back mounted, self-contained and fully detachable Blizzard R290 condensing unit uses environmentally friendly, EPA-compliant R290 refrigerant with zero (0) Ozone Depletion Potential (ODP) and three (3) Global Warming Potential (GWP). Blizzard R290 is easily replaceable and requires no on-site brazing.
- Front air breathing for flexibility in installation.
- Electronically commutated (ECM) fan motors achieve rapid cooling with less energy consumption.
- Full-length air duct system ensures optimal circulation of cold air.
- Time-initiated and temperature-terminated auto defrost cycle for seamless operation.
- Large capacity, corrosion-resistant condenser and evaporator coils.
- Self-maintaining, energy-efficient condensate drain pan requires no external drains or electric heaters.
- High performance, auto-reverse condenser fan motor supports compressor ventilation and condenser coil cleaning. Refer to owner's manual for full maintenance instructions.
- Pressure relief devices allow smooth access to cabinet interior when re-opening doors.
- Pre-wired and ready to plug, 115V/60Hz/1Ph, NEMA 5-15P.

Doors & Drawers

- Heavy duty stainless steel interior / exterior.
- 2.5" thick high density polyurethane insulation.
- Thick gauge, stainless steel drawer frames with low-friction ball bearings.
- Self-closing door with adjustable torsion system for a positive seal.
- Snap-in magnetic door and drawer gaskets make cleaning and replacement an easy process.
- High strength, recessed door and drawer handles.

Shelving

- Two epoxy coated, steel wire shelves (applies to model ETBR3-D2).
- Height adjustable stainless steel clips.

Temperature Control

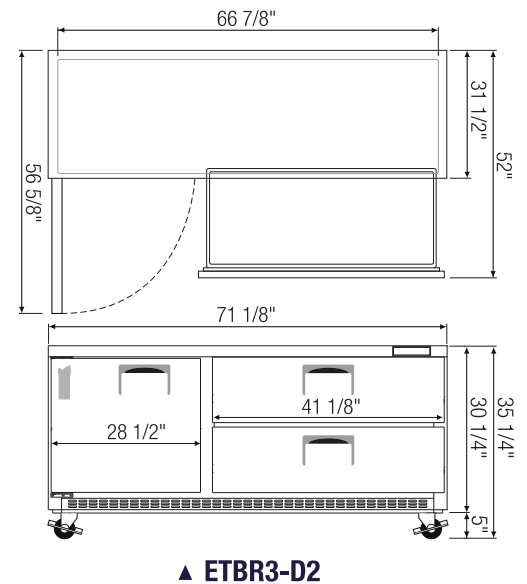
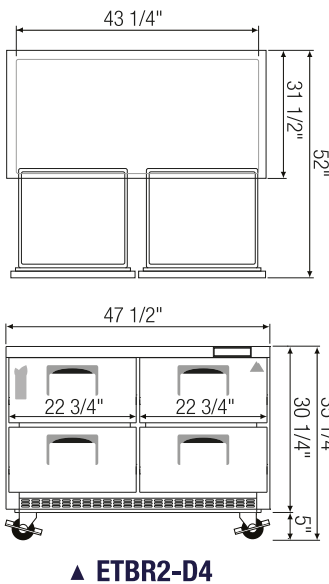
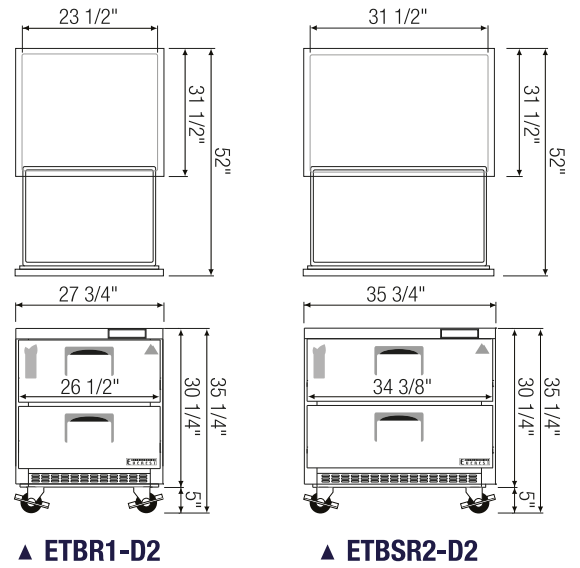
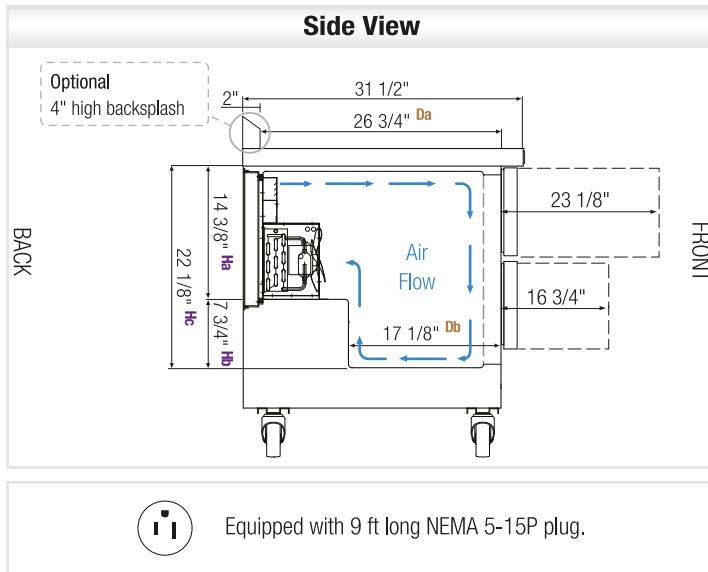
- Multi-function digital controller with easy to read LED display.
- Factory preset temperature, 35°F. Temperature setting range from 33°F to 54°F.
- Audible overheat protection alarm for compressor and condenser coil.

Options

- 4" high stainless steel backsplash for worktop application.
- Additional shelving (applies to model ETBR3-D2).
- 3" swivel casters with locks.
- 3.5" – 6" height-adjustable and interchangeable legs.



Dimensions



Model	Ref/ Frz/ Dual	# of Doors	Capacity (Cu. Ft.)	HP	BTU/HR [†]	Refrigerant	# of Shelves	# of ^a Pans	Power (V-Hz-Ph)	Amps	Crated Weight (LBS)	Exterior Dimensions (Inches)		
												L	D	H*
ETBR1-D2	Ref	2(DR)	7.5	1/5	1655	R290	N/A	1/2 x 4 1/4 x 2	115-60-1	2.7	204	27 3/4	31 1/2	30 1/4
ETBSR2-D2	Ref	2(DR)	10	1/5	1655	R290	N/A	1/2x4, 1/3x1 1/4x2, 1/6x1	115-60-1	2.7	235	35 5/8	31 1/2	30 1/4
ETBR2-D4	Ref	4(DR)	14	1/5	1655	R290	N/A	1/2x4, 1/3x4 1/4x2, 1/6x2	115-60-1	2.7	299	47 1/2	31 1/2	30 1/4
ETBWR2-D4	Ref	4(DR)	18	1/4+	1926	R290	N/A	1/2x4, 1/3x8 1/4x2, 1/6x4	115-60-1	3.7	349	59 1/4	31 1/2	30 1/4
ETBR3-D2	Ref	1(D) 2(DR)	22	1/3	2311	R290	2	1/2x2, 1/3x8 1/4x1, 1/6x4	115-60-1	2.7	374	71 1/8	31 1/2	30 1/4

*: Height does not include 5" for casters.

† : Based on evaporating temperature of 23°F (-5°C) & condensing temperature of 131°F (55°C).

a: Drawer pans are not included.

Da, Db : Interior Depth Ha, Hb, Hc : Interior Height

Specifications subject to change without notice.

Product dimensions are for general purposes and not absolute value. Product capacity () is calculated based on standard industry figures. Slight variations may exist. If dimensions and capacity are critical, please contact Everest Refrigeration.

Ref = Refrigerator | (D) = Door | (DR) = Drawer



Please visit our website for updated Energy Efficiency information.