

# BACK MOUNT UNDERCOUNTER FREEZERS

## Back Mounted Condensing Unit

ETB - Series • ETBF1 • ETBSF2 • ETBF2 • ETBW2 • ETBF3



▲ ETBF1



▲ ETBSF2



▲ ETBF2



▲ ETBW2



▲ ETBF3

### Cabinet Construction

- Heavy duty stainless steel interior / exterior with rounded corners for a hazard-free workspace.
- 16 gauge, high quality stainless steel worktop.
- Galvanized steel bottom and rear.
- 2.5" thick high density polyurethane insulation.
- Four 5" swivel casters with locks on front set.

### Refrigeration System

- Bottom mounted, self-contained and retractable condensing unit uses environmentally friendly R404A\* refrigerant with zero (0) Ozone Depletion Potential (ODP) and EPA compliant R290 refrigerant with zero (0) Ozone Depletion Potential (ODP) and three (3) Global Warming Potential (GWP). R290 condensing units are replaceable and require no on-site brazing. \*Ask about alternative refrigerant.
- Front air breathing for flexibility in installation.
- PSC evaporator fan motors for R404A models. Electronically commutated (ECM) fan motors for R290 models.
- R290 models include full-length air duct system.
- Time-initiated and temperature-terminated defrost cycle with defrost heater.
- Large capacity, corrosion-resistant condenser and evaporator coils.
- Self-maintaining, energy-efficient condensate drain pan requires no external drains or electric heaters.
- High performance condenser fan motors ensure efficient compressor ventilation. R290 models use auto-reverse condenser fan motors which also support condenser coil cleaning. Refer to owner's manual for full maintenance instructions.
- Pressure relief devices allow smooth access to cabinet interior when re-opening doors.
- Pre-wired and ready to plug, 115V/60Hz/1Ph, NEMA 5-15P.

### Doors

- Heavy duty stainless steel interior / exterior.
- 2.5" thick high density polyurethane insulation.
- Frame heaters prevent exterior moisture build up.
- Self-closing with adjustable torsion system for a positive seal.
- Snap-in magnetic door gasket make cleaning and replacement an easy process.
- High strength, recessed door handles.
- Pre-installed door locks keep your items safe from theft.

### Shelving

- Two epoxy coated, steel wire shelves per section.
- Height adjustable stainless steel clips.

### Temperature Control

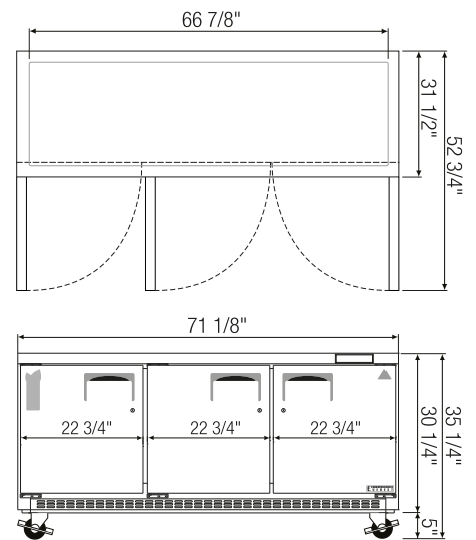
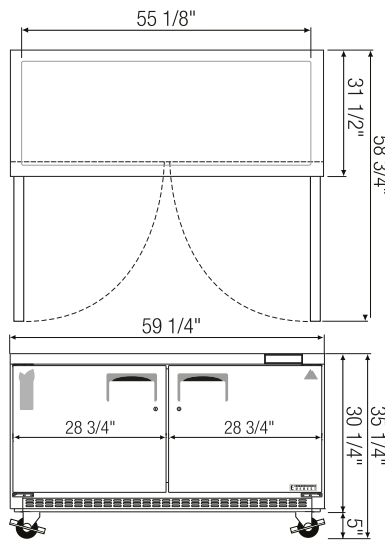
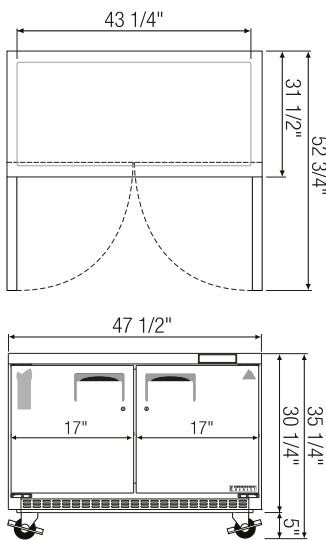
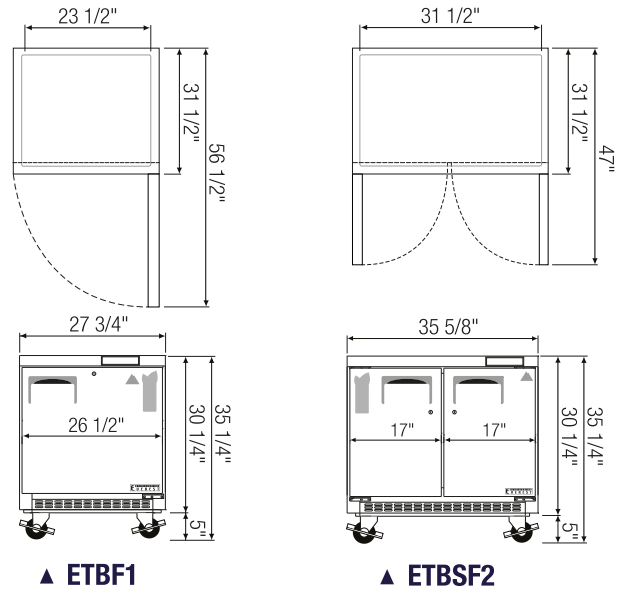
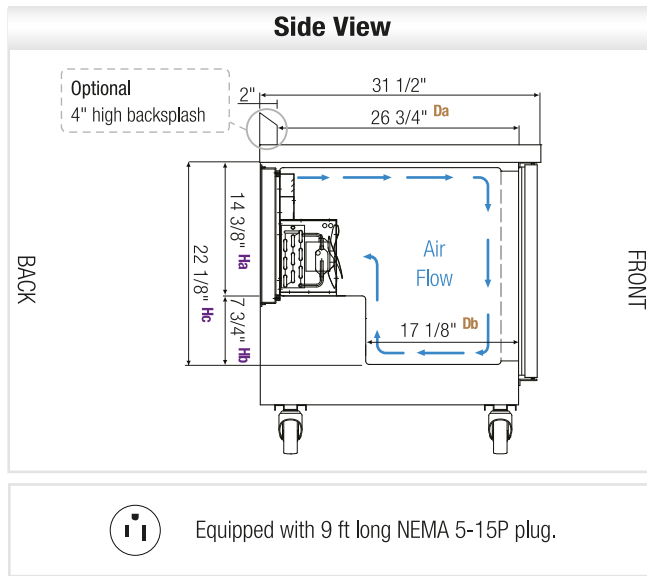
- Multi-function digital controller with easy to read LED display.
- Factory preset temperature, -4°F. Temperature setting range from -10°F to 54°F.
- R290 models include audible overheat protection alarm for compressor and condenser coil.

### Options

- 4" high stainless steel backsplash for worktop application.
- Additional shelving.
- 3" swivel casters with locks.
- 3.5" – 6" height-adjustable and interchangeable legs.
- Left hinged door (applies to model ETBF1).



## Dimensions



Model	Ref/ Frz/ Dual	# of Doors	Capacity <sup>†</sup> (Cu. Ft.)	HP	BTU/HR <sup>†</sup>	Refrigerant	# of Shelves	Power (V-Hz-Ph)	Amps	Crated Weight (LBS)	Exterior Dimensions (Inches)		
											L	D	H*
ETBF1	Frz	1	7.5	1/3	1,360	R290	2	115-60-1	3	195	27 3/4	31 1/2	30 1/4
ETBSF2	Frz	2	10	1/3	1,360	R290	4	115-60-1	3	231	35 5/8	31 1/2	30 1/4
ETBF2	Frz	2	14	1/3	1,360	R290	4	115-60-1	3	269	47 1/2	31 1/2	30 1/4
ETBWF2	Frz	2	18	1/2	3,435	R-404A / R290 <sup>^</sup>	4	115-60-1	5	320	59 1/4	31 1/2	30 1/4
ETBF3	Frz	3	22	1/2	3,435	R-404A / R290 <sup>^</sup>	6	115-60-1	5	363	71 1/8	31 1/2	30 1/4

\*: Height does not include 5" for casters.

†: Based on evaporating temperature of 23°F (-5°C) & condensing temperature of 131°F (55°C).

^: Contact factory for R290 information.

Da, Db : Interior Depth Ha, Hb, Hc : Interior Height

Specifications subject to change without notice.

Product dimensions are for general purposes and not absolute value. Product capacity (†) is calculated based on standard industry figures. Slight variations may exist. If dimensions and capacity are critical, please contact Everest Refrigeration.

Frz = Freezer



Please visit our website for updated Energy Efficiency information.