

# GLASS DOOR MERCHANDISER FREEZERS

## Swing Doors

EM - Series • EMGF23 • EMGF36 • EMGF48 • EMGF69



▲ EMGF23

▲ EMGF36

▲ EMGF48

▲ EMGF69

### Cabinet Construction

- Heavy duty white coated steel interior / exterior.
- Stainless steel floor interior has rounded corners and detachable drain plug for ease of cleaning.
- 2.5" thick high density polyurethane insulation.
- Four 5" swivel casters with locks on front set (six casters for model EMGF69). Leg stabilizers standard for all models.

### Refrigeration System

- Bottom mounted, self-contained and retractable condensing unit uses environmentally friendly R404A\* refrigerant with zero (0) Ozone Depletion Potential (ODP) and EPA compliant R290 refrigerant with zero (0) Ozone Depletion Potential (ODP) and three (3) Global Warming Potential (GWP). R290 condensing units are replaceable and require no on-site brazing. \*Ask about alternative refrigerant.
- PSC evaporator fan motors for R404A models. Electronically commutated (ECM) fan motors for R290 models.
- Airflow guard ensures optimal circulation of cold air. R290 models include full-length air duct system.
- Time-initiated and temperature-terminated hot gas defrost cycle saves on energy.
- Large capacity, corrosion-resistant condenser and evaporator coils.
- Self-maintaining, energy-efficient condensate drain pan requires no external drains or electric heaters.
- High performance condenser fan motors ensure efficient compressor ventilation. R290 models use auto-reverse condenser fan motors which also support condenser coil cleaning. Refer to owner's manual for full maintenance instructions.
- Removable and washable condenser coil air filter for R404A models. R290 models do not require condenser coil air filters.
- Pressure relief devices allow smooth access to cabinet interior when re-opening doors.
- Pre-wired and ready to plug, 115V/60Hz/1Ph, NEMA 5-20P for model EMGF23. Pre-wired power cord without plug, 230V/60Hz/1Ph for models EMGF36, EMGF48 and EMGF69).

### Lighting

- Shielded LED bar lighting with on/off switch provides bright, high color illumination at lower heat output.

### Doors

- Low emissivity double glass panes reflect UV rays for efficient cooling.
- Matte finish aluminum door frames.
- Frame heaters prevent exterior moisture build up.
- Defroster strips keep glass planes clear and fog-free.
- Self-closing with adjustable torsion system for a positive seal.
- Snap-in magnetic door gasket make cleaning and replacement an easy process.
- High strength, die-cast door handles.
- Pre-installed door locks keep your items safe from theft.

### Shelving

- Four epoxy coated, steel wire shelves with airflow guard per section.
- Height adjustable stainless steel clips.

### Temperature Control

- Multi-function digital controller with easy to read LED display.
- Factory preset temperature, -4°F. Temperature setting range from -10°F to 54°F.

### Option

- Additional shelving.
- 3" swivel casters with locks.
- 3.5" – 6" height-adjustable and interchangeable legs.
- Left hinged door (for model EMGF23).



## Dimensions

### ABS Legs



Additional front adjustable stainless steel clad ABS legs to provide extra stability when opening and closing doors.

### ✓: Vacuum Relief Mechanism

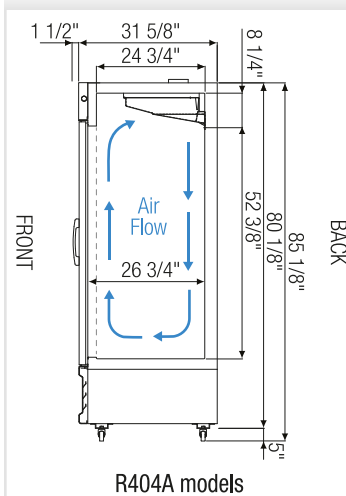


The vacuum relief valve equalizes cabinet pressure for rapid door re-entry.

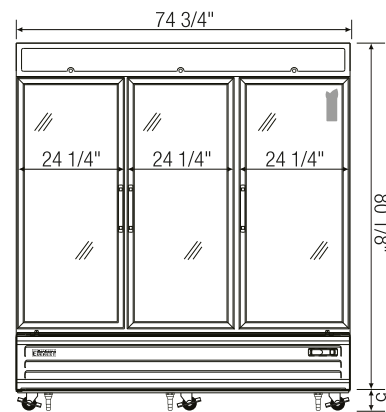
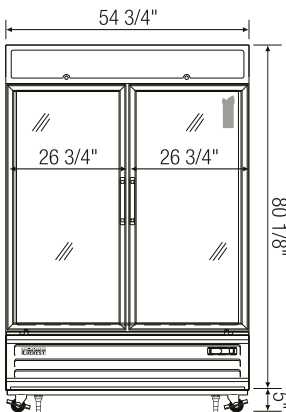
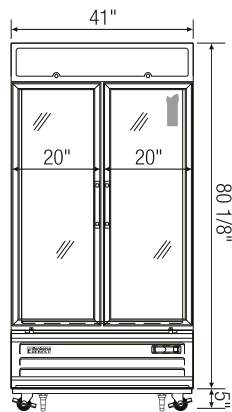
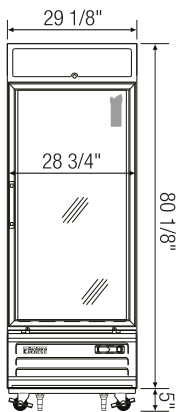
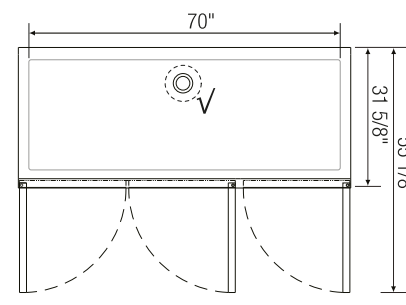
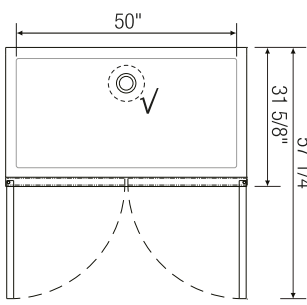
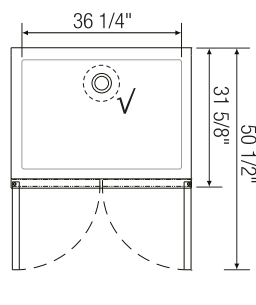
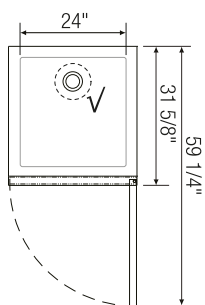
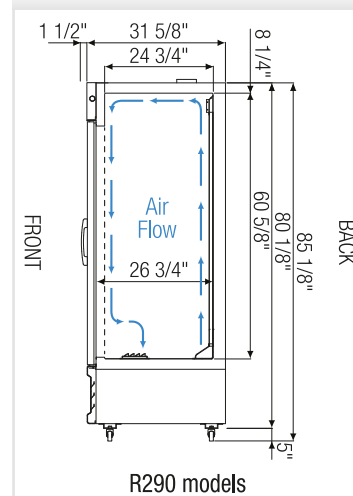


Equipped with 9 ft long NEMA 5-20P plug. (model EMGF23)

### Side View



### Side View



▲ EMGF23

▲ EMGF36

▲ EMGF48

▲ EMGF69

Model	Ref/ Frz/ Dual	# of Doors	Capacity <sup>▶</sup> (Cu. Ft.)	HP	BTU/HR <sup>†</sup>	Refrigerant	# of Shelves	Power (V-Hz-Ph)	Amps	Crated Weight (LBS)	Exterior Dimensions (Inches)		
											L	D <sup>a</sup>	H <sup>*</sup>
EMGF23	Frz	1	23	1	4036	R-404A/ R290 <sup>^</sup>	4	115-60-1	11.06	450	29 1/8	31 5/8	80 1/8
EMGF36	Frz	2	36	1-1/4	5441	R-404A/ R290 <sup>^</sup>	8	230-60-1	5.4	592	41	31 5/8	80 1/8
EMGF48	Frz	2	48	1 x 2	4,036 x 2	R-404A/ R290 <sup>^</sup>	8	230-60-1	8.24	771	54 3/4	31 5/8	80 1/8
EMGF69	Frz	3	69	1-1/4 x 2	5,441 x 2	R-404A/ R290 <sup>^</sup>	12	230-60-1	11.2	1125	74 3/4	31 5/8	80 1/8

\*: Height does not include 5" for casters.

†: Based on evaporating temperature of -4°F (-20°C) & condensing temperature of 131°F (55°C).

a: Exterior depth dimension does not include 1-1/2" for door handles.

^: Contact factory for R290 information.

Frz = Freezer

Specifications subject to change without notice.

Product dimensions are for general purposes and not absolute value. Product capacity (▶) is calculated based on standard industry figures. Slight variations may exist. If dimensions and capacity are critical, please contact Everest Refrigeration.



Please visit our website for updated Energy Efficiency information.