

GLASS & SOLID COMBINATION HALF-DOOR UPRIGHT REACH-IN REFRIGERATORS

Top Mounted Condensing Unit

ES - Series • EGS2 • EGSDH2 • EGS4 • EGSWH4 • EGS6



▲ EGS2



▲ EGSDH2
(DUAL TEMP)



▲ EGS4



▲ EGSWH4



▲ EGS6

Cabinet Construction

- Heavy duty stainless steel interior / exterior with rounded corners for a hazard-free workspace.
- Galvanized steel top, bottom and rear.
- 2.5" thick high density polyurethane insulation.
- Four 5" swivel casters with locks on front set. Leg stabilizers standard for models EGS2, EGSDH2 and EGS6.

Refrigeration System

- Top mounted, self-contained and fully detachable condensing unit uses environmentally friendly R404A* refrigerant with zero (0) Ozone Depletion Potential (ODP) and EPA compliant R290 refrigerant with zero (0) Ozone Depletion Potential (ODP) and three (3) Global Warming Potential (GWP). R290 condensing units are replaceable and require no on-site brazing. *Ask about alternative refrigerant.
- PSC evaporator fan motors for R404A models. Electronically commutated (ECM) fan motors for R290 models.
- Airflow guard ensures optimal circulation of cold air. R290 models include full-length air duct system.
- Time-initiated and temperature-terminated auto defrost heater for R404A and R290 freezers. Air defrost for R290 refrigerators.
- Large capacity, corrosion-resistant condenser and evaporator coils.
- Self-maintaining, energy-efficient condensate drain pan requires no external drains or electric heaters.
- High performance condenser fan motors ensure efficient compressor ventilation. R290 models use auto-reverse condenser fan motors which also support condenser coil cleaning. Refer to owner's manual for full maintenance instructions.
- Pressure relief devices allow smooth access to cabinet interior when re-opening doors.
- Pre-wired and ready to plug, 115V/60Hz/1Ph, NEMA 5-15P.

Lighting

- Shielded LED bar lighting with on/off switch provides bright, high color illumination at lower heat output.

Doors

- Low emissivity double glass panes and matte finish aluminum door frames for glass doors.
- Heavy duty stainless steel interior / exterior with 2.5" thick high density polyurethane insulation for solid doors.
- Frame heaters prevent exterior moisture build up.
- Self-closing with adjustable torsion system for a positive seal.
- Snap-in magnetic door gaskets make cleaning and replacement an easy process.
- Heavy duty, die-cast door handles for glass doors. High strength, recessed door handles for solid doors.
- Pre-installed door locks keep your items safe from theft.

Shelving

- Four epoxy coated, steel wire shelves per section.
- Height adjustable stainless steel clips.

Temperature Control

- Multi-function digital controller with easy to read LED display.
- Factory preset temperature, 35°F for refrigerators and -4°F for freezers. Temperature setting range from 33°F to 54°F for refrigerators and -10°F to 54°F for freezers.
- R290 models include audible overheat protection alarm for compressor and condenser coil.

Options

- Additional shelving.
- 3" swivel casters with locks.
- 3.5" – 6" height-adjustable and interchangeable legs.



Dimensions

ABS Legs

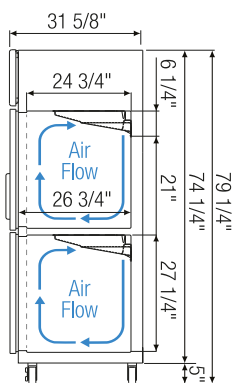


Two additional front adjustable stainless steel clad ABS legs for model EGS2 and EGS2H to provide extra stability when opening and closing door, and one additional leg for model EGS6 for weight support.



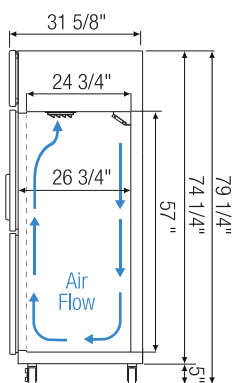
Equipped with 9 ft long NEMA 5-15P plug.

Side view

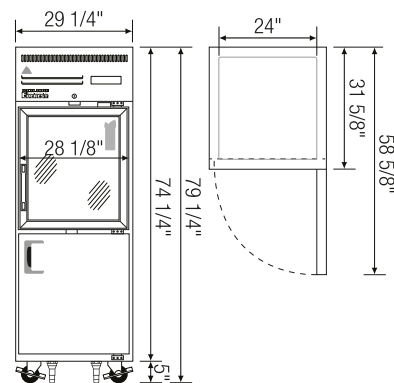


EGSDH2

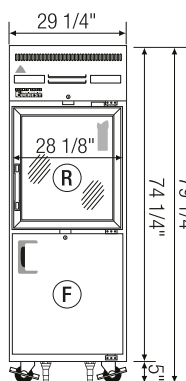
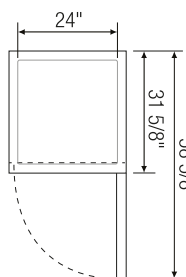
Side view



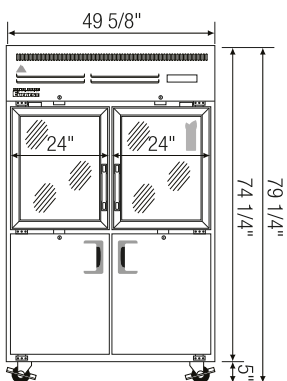
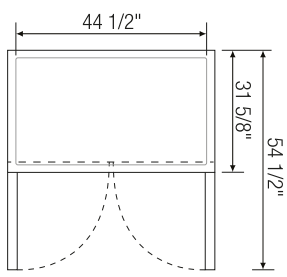
EGSH2, EGS4, EGS4H, EGS6



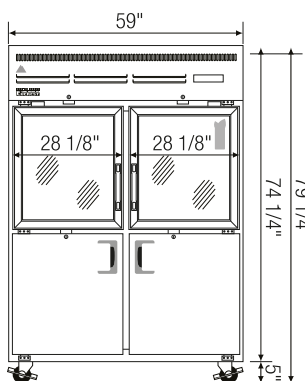
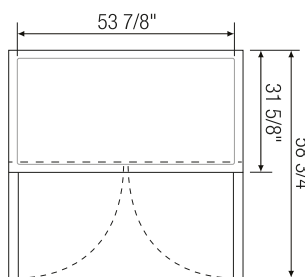
▲ EGS2



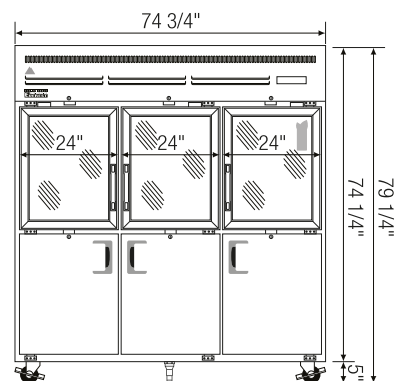
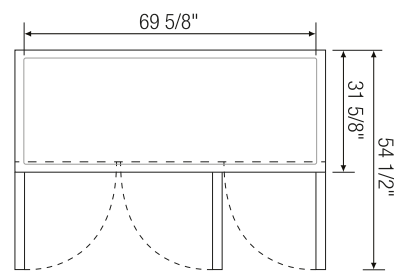
▲ EGS2H (Dual Temp)



▲ EGS4



▲ EGS4H



▲ EGS6

Model	Ref/ Frz/ Dual	# of Doors	Capacity (Cu. Ft.)	HP	BTU/HR [†]	Refrigerant	# of Shelves	Power (V-Hz-Ph)	Amps	Crated Weight (LBS)	Exterior Dimensions (Inches)		
											L	D ^a	H [*]
EGSH2	Ref	2 (H)	23	1/4+	1,926	R290	4	115-60-1	3.7	322	29 1/4	31 5/8	74 1/4
EGSDH2	Dual	2 (H)	11 (R) 11 (F)	1/2	3,435	R-404A / R290 [^]	4	115-60-1	7.57	356	29 1/4	31 5/8	74 1/4
EGSH4	Ref	4 (H)	48	1/3	2,311	R290	8	115-60-1	3	449	49 5/8	31 5/8	74 1/4
EGSWH4	Ref	4 (H)	55	1/2	1,670	R290	8	115-60-1	5.5	486	59	31 5/8	74 1/4
EGSH6	Ref	6 (H)	71	3/4	4,445	R290	12	115-60-1	7.8	636	74 3/4	31 5/8	74 1/4

*: Height does not include 5" for casters.

†: Based on evaporating temperature of 23°F (-5°C) & condensing temperature of 131°F (55°C).

a: Exterior depth dimension does not include 1-1/2" for door handles.

^: Contact factory for R290 information.

Specifications subject to change without notice.

Product dimensions are for general purposes and not absolute value. Product capacity (↗) is calculated based on standard industry figures. Slight variations may exist. If dimensions and capacity are critical, please contact Everest Refrigeration.

Ref = Refrigerator | Dual = Ref & Frz Combo
(H) = Half Door | (R) = Refrigerator | (F) = Freezer



Please visit our website for updated Energy Efficiency information.