

# 24" DEEP DIRECT DRAW KEG REFRIGERATORS

EBD - Series • EBDS2-24 • EBD2-24 • EBD3-24 • EBD4-24



▲ EBDS2-24



▲ EBD2-24



▲ EBD3-24



▲ EBD4-24

## Cabinet Construction

- Heavy duty stainless steel countertop with textured laminate, black vinyl exterior.
- Galvanized steel interior walls and high quality stainless steel floor.
- 1 3/4" thick high density polyurethane insulation.
- Built-in caster thread receptacles for all models.

## Refrigeration System

- Side mounted, self-contained and fully detachable Blizzard R290 condensing unit uses environmentally friendly, EPA-compliant R290 refrigerant with zero (0) Ozone Depletion Potential (ODP) and three (3) Global Warming Potential (GWP). Blizzard R290 is easily replaceable and requires no on-site brazing.
- Electronically commutated (ECM) fan motors achieve rapid cooling with less energy consumption.
- Full-length air duct system ensures optimal circulation of cold air.
- Time-initiated and temperature-terminated auto defrost cycle for seamless operation.
- Large capacity, corrosion-resistant condenser and evaporator coils.
- Self-maintaining, energy-efficient condensate drain pan requires no external drains or electric heaters.
- High performance, auto-reverse condenser fan motor supports compressor ventilation and condenser coil cleaning. Refer to owner's manual for full maintenance instructions.
- Pre-wired and ready to plug, 115V/60Hz/1Ph, NEMA 5-15P.

## Lighting

- Energy efficient silicone coated and shatter-proof LED lighting provides bright, high color illumination with low heat output.

## Doors

- Textured laminate, black vinyl exterior with galvanized steel interior.
- 1 3/4" thick high density polyurethane insulation.
- Snap-in magnetic door gasket make cleaning and replacement an easy process.
- High strength, recessed door handles.
- Pre-installed door locks keep your items safe from theft.

## Draft Arms

- NSF certified, 3" diameter insulated stainless steel draft arm with matching air distributor. Two single faucet draft arms for models EBDS2-24 and EBD2-24. One single faucet and one dual faucet draft arms for model EBD3-24. Two dual faucet draft arms for model EBD4-24.

## Temperature Control

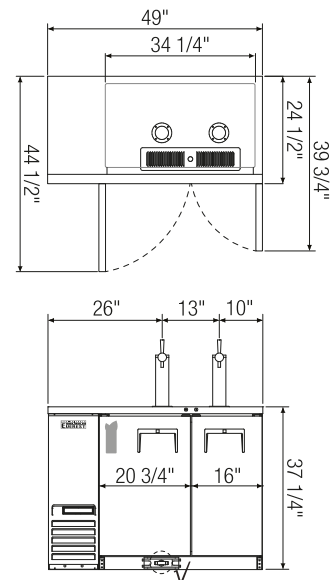
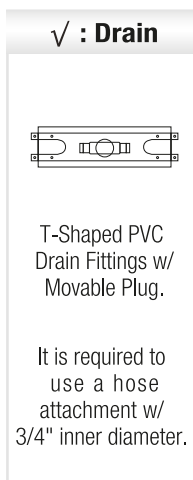
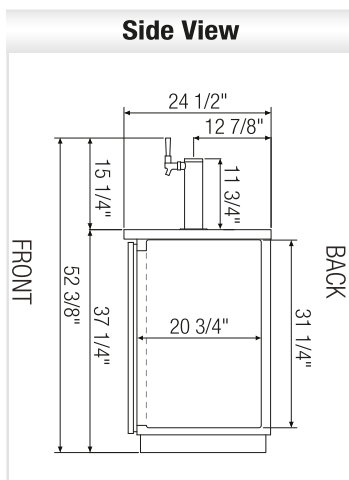
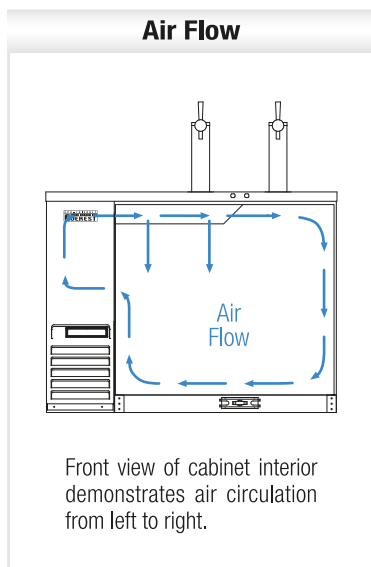
- Multi-function digital controller with easy to read LED display.
- Factory preset temperature, 35°F.
- Temperature setting range from 33°F to 54°F.
- Audible overheat protection alarm for compressor and condenser coil.

## Options

- Dual faucet draft arms and matching air distributors.
- 3" or 5" swivel casters with locks.
- 3.5" – 6" height-adjustable and interchangeable legs.

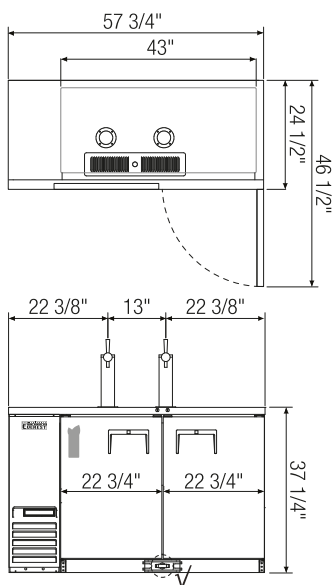


## Dimensions

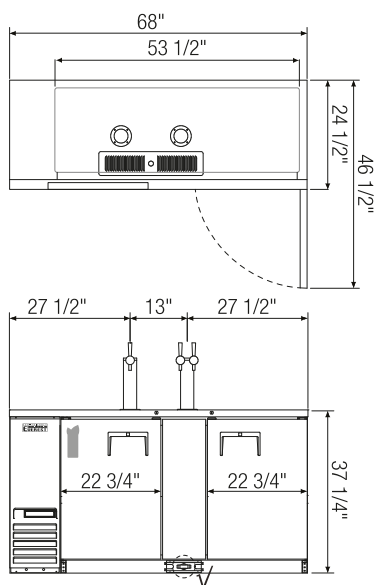


ⓘ Equipped with 9 ft long NEMA 5-15P plug.

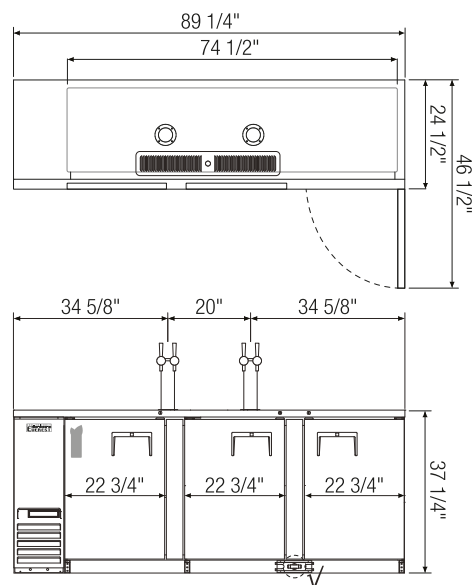
▲ **EBDS2-24**



▲ **EBD2-24**



▲ **EBD3-24**



▲ **EBD4-24**

Model	Ref/ Frz/ Dual	# of Doors	Capacity & Size of Barrels	Capacity (Cu. Ft.)	HP	BTU/HR <sup>†</sup>	Refrigerant	Power (V-Hz-Ph)	Amps	Crated Weight (LBS)	Exterior Dimensions (Inches)		
											L	D	H
<b>EBDS2-24</b>	Ref	2	(1) 1/2 (1) 1/4 slim	13	1/4+	1,926	R-290	115-60-1	3.5	266	49	24 1/2	37 1/4
<b>EBD2-24</b>	Ref	2	(2) 1/2	17	1/4+	1,926	R-290	115-60-1	3.5	272	57 3/4	24 1/2	37 1/4
<b>EBD3-24</b>	Ref	2	(3) 1/2	20	1/4+	1,926	R-290	115-60-1	3.5	299	68	24 1/2	37 1/4
<b>EBD4-24</b>	Ref	3	(4) 1/2	28	1/3	2,311	R-290	115-60-1	2.5	390	89 1/4	24 1/2	37 1/4

† : Based on evaporating temperature of 23°F (-5°C) & condensing temperature of 131°F (55°C).

Ref = Refrigerator

Specifications subject to change without notice.

Product dimensions are for general purposes and not absolute value. Product capacity (↕) is calculated based on standard industry figures. Slight variations may exist. If dimensions and capacity are critical, please contact Everest Refrigeration.



Please visit our website for updated Energy Efficiency information.