



BEVERAGE-AIR

Project: _____

AIA#

Item: _____

Location: _____

SIS#

Approved: _____

UCR UNDERCOUNTER

UCR93AHC Undercounter Refrigerator Hydrocarbon Series

**MODELS:
UCR93AHC**

**3 Year Parts/Labor Warranty
Additional 2 Year Compressor Warranty**

CABINET CONSTRUCTION



UCR93AHC

- Stainless steel front, sides, top, doors, (*galvanized steel back & bottom*)
- Interior liner is made of corrosion resistant aluminum
- Full electronic control
- Undercounter feature a 1/2" thick sub-top
- Interior thermometer is standard
- Self-closing doors with 120° stay-open feature, on cam-lift hinges
- Easy door removal for service and cleaning
- Magnetic gasket attached to each door for positive seal
- Painted aluminum door handles
- 6" Casters, two (2) with brakes standard
- Six (6) epoxy-coated steel wire shelves standard
- Field reversible doors
- Maintains product temperature between 36°F and 38°F

OPTIONS & ACCESSORIES

- Stainless steel back and grille
- Stainless steel interior
- Right or left hinged door
- Locks (solid doors only)
- Bun rack
- Wire shelf divider
- Thermometer digital or stem type dial
- 3" Casters or 6" legs
- Low profile casters
- Remote option

REFRIGERATION SYSTEM

- Refrigeration system uses R290 refrigerant to comply with all environmental concerns
- Automatic, non-electric defrost
- Epoxy coated evaporator coil

UCR93AHC Undercounter Refrigerator: Food Prep Series



3779 Champion Blvd., Winston-Salem, NC 27105
1-888-845-9800 Fax: 1-336-245-6453
Beverage-Air.com sales@bevair.com



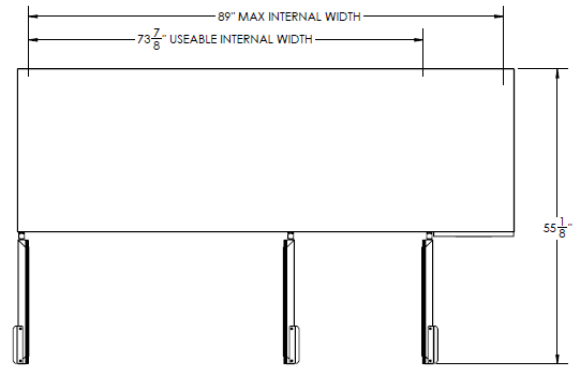
BEVERAGE-AIR

MODEL	UCR93AHC
EXTERNAL DIMENSIONAL DATA	
Width Overall	93"
Depth Overall with Handle & Bumper	32 7/8"
Height Overall with 6" Casters	34 1/2"
Number of Doors	3
Depth with Door Open 90°	55 1/8"
Door Opening (in)	21 5/8" x 23 5/8"
INTERNAL DIMENSIONAL DATA	
NET Capacity (cubic ft.)	29.7
Internal Width Overall (in)	89"
Internal Width Useable (in)	73 7/8"
Internal Depth Overall (in)	26"
Internal Height Overall (in)	25"
Number of Shelves	6
ELECTRICAL DATA	
Full Load Amperes 115/60/1	5.0
REFRIGERATION DATA	
Horsepower	1/3
Capacity (BTU/Hr)*	2629
WEIGHT DATA	
Gross Weight (Crated lbs)	468 lbs
Height - Crated	40"
Width - Crated	96"
Depth - Crated	37"

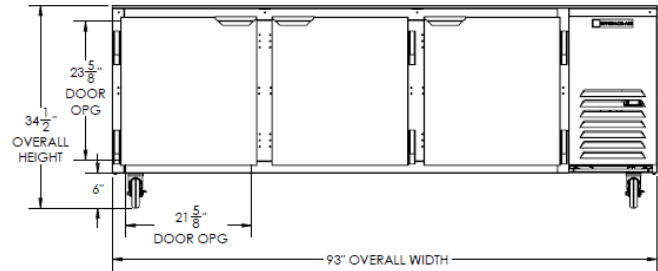
Undercounter Refrigerators

Models: UCR93AHC

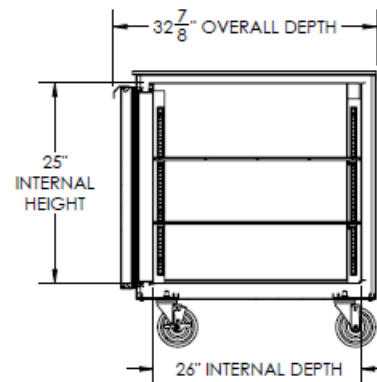
Model Views



Plan View



Elevation View



Side View

ELECTRICAL CONNECTION



115/60/1
NEMA-5-15P

Units pre-wired at factory and include 8' long cord and plug set.



an Ali Group Company



The Spirit of Excellence

3779 Champion Blvd., Winston-Salem, NC 27105
1-888-845-9800 Fax: 1-336-245-6453
Beverage-Air.com sales@bevair.com