



BEVERAGE-AIR

Project: _____	AIA#
Item: _____	
Location: _____	SIS#
Approved: _____	

BAR EQUIPMENT

MODEL:
GF24HC-S

GF24HC Glass and Plate Chiller Hydrocarbon Series



3 Year Parts/Labor Warranty
Additional 2 Year Compressor Warranty

CABINET CONSTRUCTION

- Stainless steel exterior
- Standard interior construction utilizes galvanized steel
- Top includes easy glide, stainless steel lids and stainless steel counter top with edge
- Two (2) shelves and bottom rack standard
- Two (2) shelf ledges standard with three (3) mounting points
- Flexibility in design provides for plate storage and chilling
- No floor drain or additional plumbing is needed

OPTIONS & ACCESSORIES

- Stainless steel interior
- Locks
- 3" - 6" Casters
- 6" Adjustable legs with plate
- Horizontal mount thermometer
- Dial thermometer
- Remote option
(refrigerant must be specified at time of order, see note on back on page)

REFRIGERATION SYSTEM

- Uses environmentally friendly, energy efficient R290 refrigerant, and meets all regulatory requirements for CARB, SNAP, DOE & more
- Built-in condensate evaporator system
- Adaptive defrost
- Chills glasses and plates at -10°F

GF24HC GLASS AND PLATE CHILLER




Please verify qualifying units by visiting:
www.energystar.gov/cfs

3779 Champion Blvd., Winston-Salem, NC 27105
1-888-845-9800 Fax: 1-336-245-6453
Beverage-Air.com Sales@bevair.com

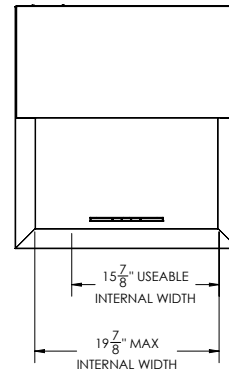


BEVERAGE-AIR

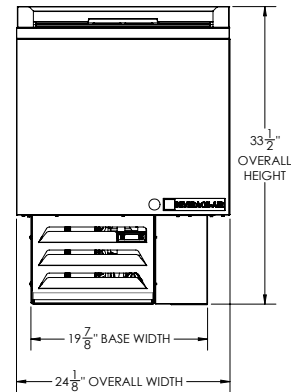
MODEL	GF24HC-S
EXTERNAL DIMENSIONAL DATA	
Width Overall	24 1/8"
Depth Overall	26 1/8"
Height Overall	33 1/2"
Number of Lids	1
INTERNAL DIMENSIONAL DATA	
NET Capacity (cubic ft.)	4.0
Internal Useable Width Overall (in)	15 7/8"
Internal Depth Overall (in)	22"
Internal Height Overall (in)	18 3/4"
ELECTRICAL DATA	
Full Load Amperes	3.5
REFRIGERATION DATA	
Horsepower*	1/2
Capacity (BTU/Hr)*	1624
WEIGHT DATA	
Gross Weight	186 lbs
Height - Crated	38"
Width - Crated	30"
Depth - Crated	27"

GLASS AND PLATE CHILLER Model: GF24HC-S

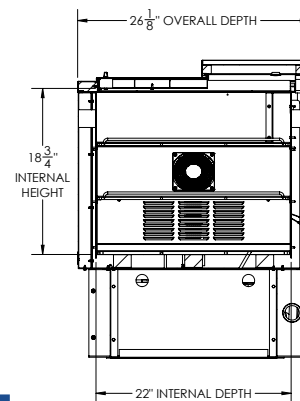
Model Views



PLAN VIEW



ELEVATION VIEW



SIDE VIEW

*ELECTRICAL CONNECTION



115/60/1
NEMA-5-15P

Units pre-wired at factory
and include 8' long cord
and plug set.



3779 Champion Blvd., Winston-Salem, NC 27105 1-888-845-9800 Fax: 1-336-245-6453 Beverage-Air.com Sales@bevair.com

an Ali Group Company



The Spirit of Excellence