



BEVERAGE-AIR

Project: _____	AIA#
Item: _____	
Location: _____	SIS#
Approved: _____	

FOOD PREPARATION SERIES

DPD93HC Deli/Pizza Prep Table with Nine Drawers

Hydrocarbon Series

MODELS:
DPD93HC-9

DPD93HC Food Preparation : Deli/Pizza Prep Series

3 Year Parts/Labor Warranty
Additional 2 Year Compressor Warranty

CABINET CONSTRUCTION

- Stainless steel front, sides, top, drawers and grille (*galvanized back & bottom*)
- Interior liner is made of corrosion resistant aluminum
- Aluminum top interior liner prevents spill from falling into cabinet
- Stainless steel top
- Removable hoods and insulated lid assemblies are made of matching stainless steel
- Magnetic gaskets provide positive seal on drawers
- 3" Casters, 2 with brakes standard
- 19" Wide reversible cutting board is removable for easy cleaning
- Units will accept pans up to 6" deep (pans are not included)
- Drawer frames are heavy-duty stainless steel
- 12-Gauge stainless steel drawer slides with Delrin® rollers rated at 275 lbs
- Telescoping slides, with locking mechanism to prevent drawers from being pulled off of cabinet
- Heavy-duty locking pan divider supports are standard for drawers
- Maintains product temperatures between 36° - 38°F



DPD93HC-9

OPTIONS & ACCESSORIES

- Stainless steel back and grille
- Stainless steel interior
- Clear Lid option
- Door models available
- Composite cutting board
- 6" Casters
- 6" Legs
- Remote option* (see note on back page)

REFRIGERATION SYSTEM

- Refrigeration system uses R290 refrigerant to comply with all environmental concerns
- Adaptive defrost
- Epoxy coated evaporator coil



3779 Champion Blvd., Winston-Salem, NC 27105
1-888-845-9800 Fax: 1-336-245-6453
Beverage-Air.com Sales@bevair.com



BEVERAGE-AIR

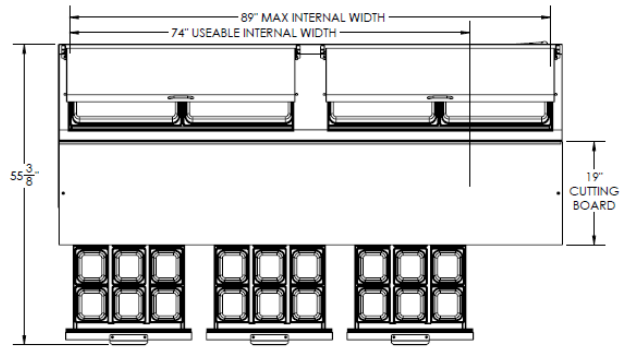
MODEL	DPD93HC-9
EXTERNAL DIMENSIONAL DATA	
Width Overall	93"
Depth Overall with Cutting Board	37"
Height Overall with 3" Casters	53 1/8"
Number of Drawers	9
Depth with Drawers Extended	55 3/8"
Drawers Opening (in)	(9) 21 5/8" x 6 5/8"
Depth, Cutting Board	19"
INTERNAL DIMENSIONAL DATA	
NET Capacity (cubic ft.)	31.5
Internal Width Useable (in)	74"
Internal Depth Overall (in)	26"
Internal Height Overall (in)	23 7/8"
ELECTRICAL DATA	
Full Load Amperes 115/60/1	7.8
REFRIGERATION DATA	
Horsepower	1/2
Capacity (BTU/Hr)*	4234
WEIGHT DATA	
Gross Weight (Crated lbs)	600 lbs
Height - Crated	47 1/2"
Width - Crated	96"
Depth - Crated	37"

*NOTE: Remote units are field wired and comes with 6" legs. Refrigerant must be specified at time of order.

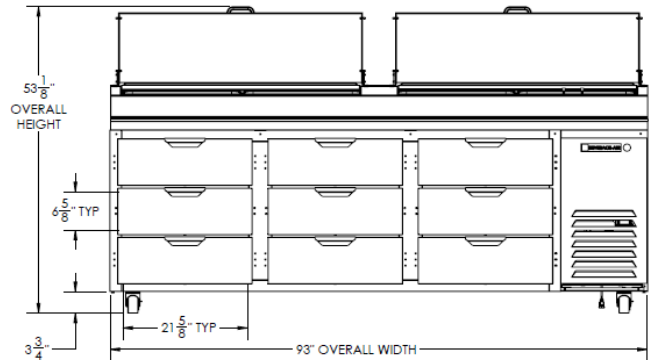
Deli/Pizza Preparation Table

Models: DPD93HC-9

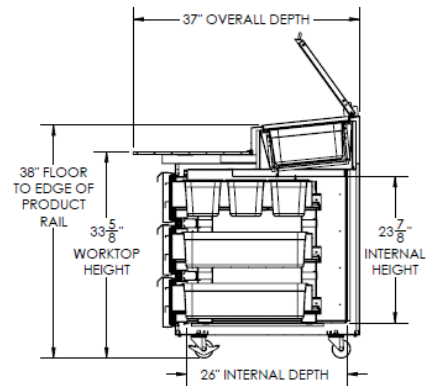
Model Views



Plan View



Elevation View



Side View

ELECTRICAL CONNECTION



115/60/1
NEMA-5-15P

Units pre-wired at factory and include 8' long cord and plug set.



an Ali Group Company



The Spirit of Excellence

3779 Champion Blvd., Winston-Salem, NC 27105
1-888-845-9800 Fax: 1-336-245-6453
Beverage-Air.com Sales@bevair.com