

**Standard Features**

☐ TVPRES/10SC

- 7.5kW high efficiency heating elements
- 15kW high efficiency steam elements
- Available in standard depth
- Single deck TruVapor is 27-1/4" in height with 6" casters
- Two speed, 1/2 hp, fan motor
- Coved corner interior
- 100% 316L Stainless Steel construction
- Single solid fold down door
- Ergonomic door handle
- Positive engagement door latch
- Bake, steam, and TruVapor combination mode
- 5-position rack guides and 3 stainless steel oven racks
- 16 steam injection ports
- Digital control for steam levels, temperature, fan speed, and time
- Control heat up to 425°F with steam assist up to 100% power
- Bake control heats up to 425°F
- Steam control level up to 100%
- Count down timer with reset for batch cooking
- Full perimeter silicone gasket
- Interior condensate drain located in the rear
- Exterior condensate drain located under the door
- Fully welded stainless steel cavity
- Stainless steel rear jacket
- Platinum modular equipment or Heavy Duty Counterline units can sit on a single deck (consult factory)
- (1) year limited parts and labor (reference <http://www.southbendnc.com/service.html> for limited warranty details)



Model shown TVPRES/10SC

Job \_\_\_\_\_  
Item# \_\_\_\_\_

**STANDARD CONSTRUCTION SPECIFICATIONS**

**Exterior Finish:** Top, front, sides, back, door, and interior cavity are 316L stainless steel #3 finish.

**Doors:** Single stainless steel construction fold down door, heavy-duty welded steel frame.

**Oven Interior:** Stainless steel, coved.

**Rack and Rack Guides:** Heavy-duty removable wire rack guides spaced on 2-1/8" centers offer 5 different rack positions. Three wire racks provided with each oven.

**Legs:** 6" stainless steel legs standard.

**Blower Motor:** 1/2hp, 2-speed motor, 1710/1120 r.p.m.

**Control Panel:** Located on front, at right side of oven, away from heat zone. Removable panel pulls out for easy servicing.

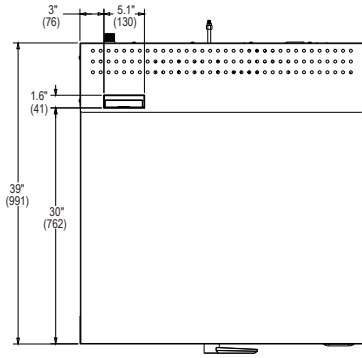
**Electrical System:** 7.5 kW cavity, 15kW steam elements available voltages include 208 and 240 VAC single or three phase, 50/60 Hz.

**Oven Heating:** Oven heating and humidity are regulated by adjustable control. Blower fan circulates air within the cavity "scrubbing" heat to the oven interior for even heat distribution within the cavity.

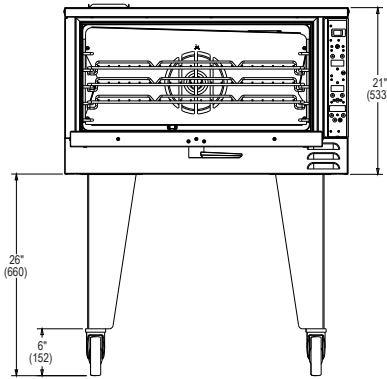
**Note:** Oven cannot be operated without fan in operation.

Models:  TVPRES/10SC

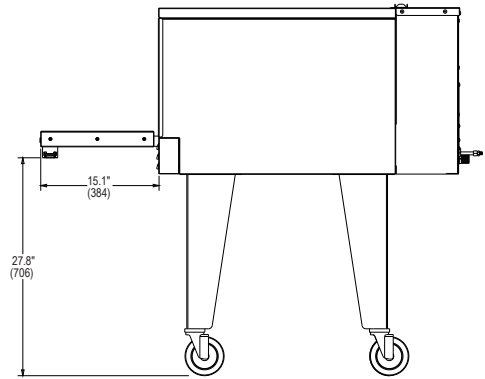
Dimensions -in (mm)



TOP VIEW



FRONT VIEW



SIDE VIEW

MODEL	OVEN INTERIOR (PER DECK)			RACK CLEARANCE		SHIPPING CRATE				
	WIDTH	DEPTH	HEIGHT	WIDTH	DEPTH	WIDTH	DEPTH	HEIGHT	VOLUME	WEIGHT
TVPRES/10SC	29" (737)	21.5" (546)	14" (356)	28.25" (718)	21" (533)	57.50" (1461)	45.50" (1156)	45" (1143)	68.1 cu. ft. (1.93 cu. m.)	400 lbs (181.43 kg)

**UTILITY INFORMATION**

Standard: 1/2 horsepower, 2 speed motor, 1710/1120 r. p. m.

VOLTAGE	POWER (kW)			CURRENT (AMPS)*	
	TOTAL	HEATING ELEMENTS	STEAM ELEMENTS	1 PHASE	3 PHASE
208 VAC, 60Hz	22.5	7.5	15	108.2	62.5
220/240 VAC, 50Hz				102.3	59.1
240 VAC, 60Hz				93.8	54.2

\* Phase shipped per order. Add an additional 4 amps for the control panel. Electrical service can be split into two discrete power lines.

**MISCELLANEOUS**

- If casters are used, a restraining device should be used to eliminate undue strain on the power line
- Clearances from combustibles: Top-0", bottom-0", right side-0" and left-2"
- Recommended- Install under vented hood
- Check local codes for fire and sanitary regulations
- Oven cannot be operated without fan in operation

**Notice:** Southbend reserves the right to change specifications and product design without notice. Such revisions do not entitle the buyer to corresponding changes, improvements, additions, or replacements for previously purchased equipment.

**OPTIONS and ACCESSORIES**

List the voltage, frequency, and amps required (see utility information above).  
 \_\_\_\_ VAC, \_\_\_\_ Phase, \_\_\_\_ Hz

- 12" stainless steel legs
- 26" stainless steel legs
- Casters 4" or 6"

- Extra oven racks
- Top and bottom rear cover
- Adjustable legs

**INTENDED FOR COMMERCIAL USE ONLY.  
 NOT FOR HOUSEHOLD USE.**



1100 Old Honeycutt Road, Fuquay-Varina, NC 27526  
 (919) 762-1000 www.southbendnc.com