



SERVICE PARTS MANUAL
The ICE Series Undercounter Cubers
MODEL-ICEU150, ICEU220, ICEU225, ICEU226
Manufactured From August 2004 Through July 2008



14-1016-A

Date 1/16/17

ICE Undercounter Service Parts

This parts list contains the service parts available for the ICE Undercounter icemakers.

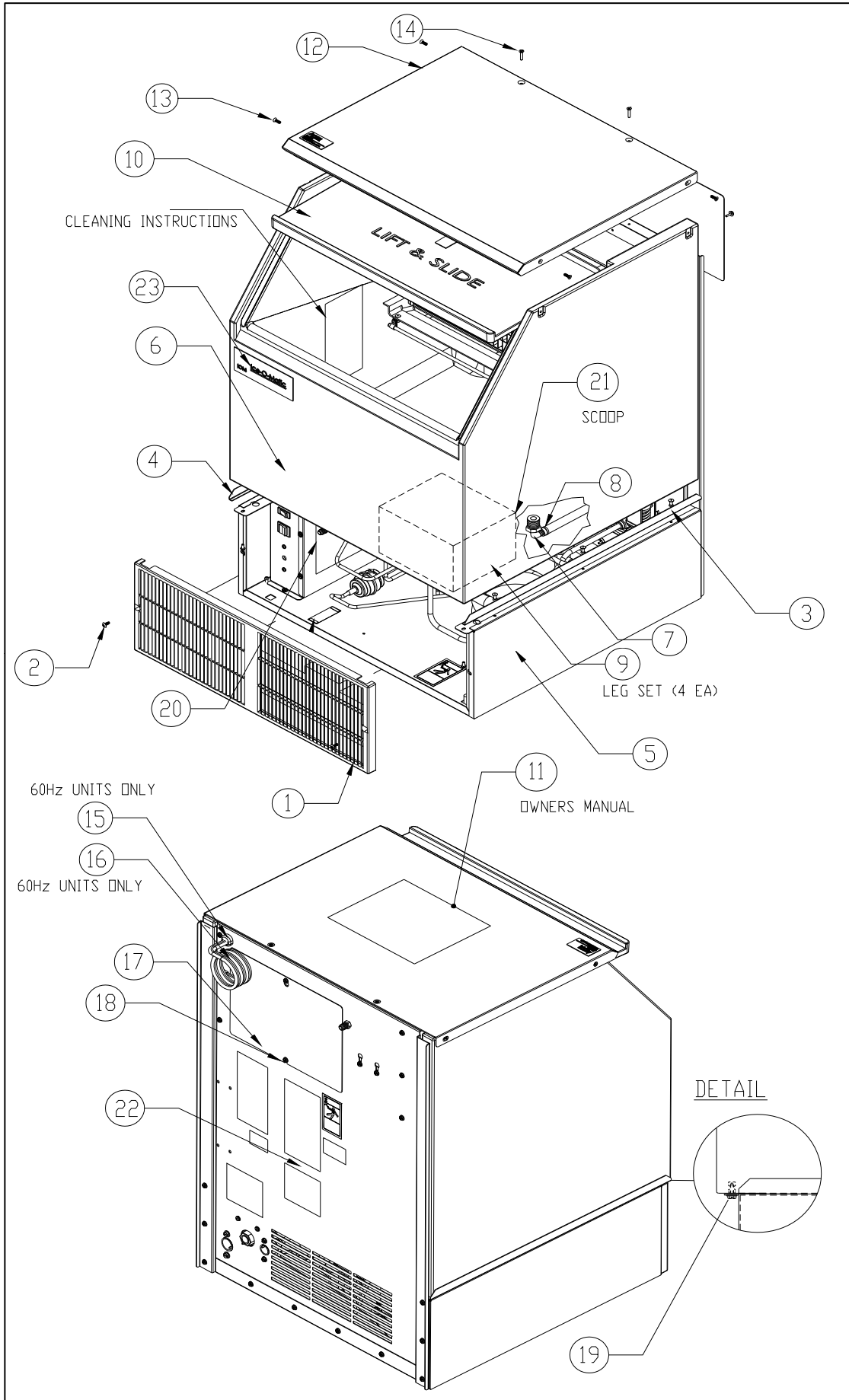
Check the model number on the data plate and refer to the correct listing for the specific component.

Check carefully that the correct part is identified and ordered.

| | |
|------------------------------------|-------------------|
| Table of Contents | Page 1 |
| Bin and Exterior Components | Page 2 - 3 |
| Refrigeration System | Page 4 - 5 |
| Harvest Assist Assembly | Page 6 |
| Control Box | Page 7 |
| Evaporator Page | 8 |
| Water Pump | Page 9 |

ICE-O-Matic
11100 East 45th Ave.
Denver Co. 80239
866-PUREICE

The ICE Series Service Manual is available seperately, Part Number 9081270-01

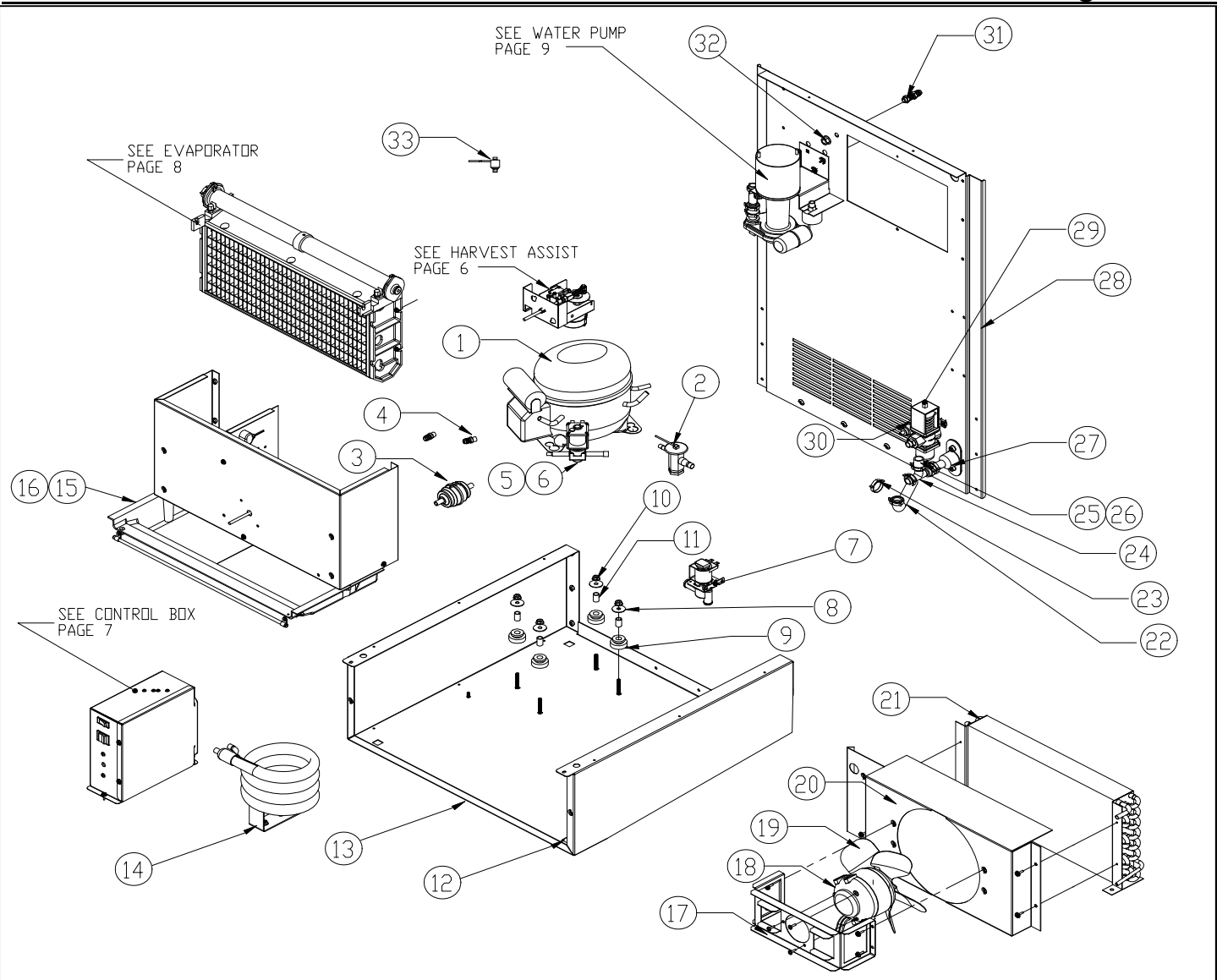


ICE Undercounter Service Parts

Bin and Exterior Components

| Item | ICEU150 | ICEU220 | ICEU225 | ICEU226 | Description |
|------|--------------------|--------------------|--------------------|--------------------|--|
| 1 | 9051515-01 | 9051515-01 | 9051515-01 | 9051515-01 | Front Grill Panel |
| 2 | 9031098-02 | 9031098-02 | 9031098-02 | 9031098-02 | Grill Panel Screw #8 x 11/2 |
| 3 | 3021875-01 | 3021875-01 | 3021875-01 | 3021875-01 | Trim Strip RH |
| 4 | 3021875-02 | 3021875-02 | 3021875-02 | 3021875-02 | Trim Strip LH |
| 5 | 9021874-01 | 9021874-01 | 9021874-01 | 9021874-01 | Side Panel S/S |
| 6 | 2101275-01S | 2101275-01S | 2101275-01S | 2101275-01S | Bin Assembly (Includes Item # 7) NLA-NR |
| 7 | 9091122-01 | 9091122-01 | 9091122-01 | 9091122-01 | Elbow, 3/4MPT x 1/2 NLA-NR |
| 8 | 9021010-03 | 9021010-03 | 9021010-03 | 9021010-03 | Plastic Hose Clamp |
| 9 | 9021001-04 | 9021001-04 | 9021001-04 | 9021001-04 | Leg Set (4 ea.) 9021095-01 is NLA |
| 10 | 9051310-01 | 9051310-01 | 9051310-01 | 9051310-01 | Bin Door, Black |
| 11 | 9081264-01 | 9081264-01 | 9081264-01 | 9081264-01 | Owners Manual |
| 12 | 2101408-01 | 2101408-01 | 2101408-01 | 2101408-01 | Top Panel-Plastic Corners |
| 13 | 9031023-10 | 9031023-10 | 9031023-10 | 9031023-10 | Top Panel Screw |
| 14 | 9031019-07 | 9031019-07 | 9031019-07 | 9031019-07 | Top Panel Screw |
| 15 | 9121015-04 | 9121015-04 | N/A | N/A | Strain Relief |
| 16 | 9101242-01 | 9101242-01 | N/A | N/A | Power Cord |
| 17 | 3012149-01 | 3012149-01 | 3012149-01 | 3012149-01 | Panel, Rear Access |
| 18 | 9031046-01 | 9031046-01 | 9031046-01 | 9031046-01 | Screw #10-16 x 1/2 |
| 19 | 9031112-01 | 9031112-01 | 9031112-01 | 9031112-01 | Screw Hex Head |
| 20 | 3013161-01 | 3013161-01 | 3013161-01 | 3013161-01 | Control Box Cover |
| 21 | 9051127-02 | 9051127-02 | 9051127-02 | 9051127-02 | Ice Scoop |
| 22 | 3013164-01 | 3013164-01 | 3013164-01 | 3013164-01 | Rear Panel NLA-NR |
| 23 | 9071974-01 | 9071974-01 | 9071974-01 | 9071974-01 | Name Plate |

NLA-NR=No Longer Available-No Replacement



| Item | ICEU150 | ICEU220 | ICEU225 | ICEU226 | Description |
|------|----------------------|-------------|-------------|-------------|---|
| 1 | 9181115-12* | 9181115-12 | 9181115-13 | 9181115-14 | Compressor (*Part Number Change) |
| 2 | 9151156-101** | 9151156-101 | 9151156-101 | 9151156-101 | Expansion Valve-Danfoss (Includes Bulb Clamp) |
| 3 | 9151163-01 | 9151163-01 | 9151163-01 | 9151163-01 | Drier 9151004-02 is NLA |
| 4 | 9091086-02 | 9091086-02 | 9091086-02 | 9091086-02 | Service Valve Core |
| | 9091086-03 | 9091086-03 | 9091086-03 | 9091086-03 | Service Valve Cap |
| 5 | 9151123-06 | 9151123-06 | 9151123-06 | 9151123-06 | Hot Gas Valve Body |
| 6 | 9151123-03 | 9151123-03 | 9151123-04 | 9151123-04 | Hot Gas Valve Coil |
| 7 | 9041105-04 | 9041105-04 | 9041105-05 | 9041105-05 | Purge Valve 9041086 is NLA |

The ICEU150 Compressors 9181115-11 (ASB14C3E-IAA) is NLA and 9181148-11 (ASE14C4E-IAA) is NLA. Replaced by 9181115-12 (ASE24C3E-IAA)
 See Page 5 for Compressor Components (Reference Compressor for Starting Components)

The Expansion Valve has been changed to a more efficient model. Part Number 9151157-101 is NLA, Replaced by 9151156-101

| Item | ICEU150 | ICEU220 | ICEU225 | ICEU226 | Description |
|------|------------|------------|------------|------------|---------------------------------|
| 8 | 9031004-02 | 9031004-02 | 9031004-02 | 9031004-02 | Flat Washer |
| 9 | 9181002-10 | 9181002-10 | 9181002-10 | 9181002-10 | Grommet |
| 10 | 9031118-02 | 9031118-02 | 9031118-02 | 9031118-02 | Lock Nut |
| 11 | 9181002-11 | 9181002-11 | 9181002-11 | 9181002-11 | Sleeve Compressor Mounting |
| 12 | 9031012-02 | 9031012-02 | 9031012-02 | 9031012-02 | Lock Nut (Leg) |
| 13 | 2021623-01 | 2021623-01 | 2021623-01 | 2021623-01 | Base Assembly |
| 14 | 9141022-01 | 9141022-01 | 9141022-01 | 9141022-01 | Water Condenser |
| 15 | 2101151-01 | 2101151-01 | 2101151-01 | 2101151-01 | Water Trough Assembly |
| 16 | 9031122-02 | 9031122-02 | 9031122-02 | 9031122-02 | Water Trough Screws |
| 17 | 3013250-01 | 3013250-01 | 3013250-01 | 3013250-01 | Fan Bracket |
| 18 | 9161028-01 | 9161112-01 | 9161112-01 | 9161112-01 | Fan Motor |
| 19 | 9131446-01 | 9131446-01 | 9131446-01 | 9131446-01 | Fan Blade |
| 20 | 3013254-01 | 3013254-01 | 3013254-01 | 3013254-01 | Fan Shroud |
| 21 | 9141126-01 | 9141126-01 | 9141126-01 | 9141126-01 | Air Condenser |
| 22 | 9051280-08 | 9051280-08 | 9051280-08 | 9051280-08 | Purge Drain Tube |
| 23 | 9021010-05 | 9021010-05 | 9021010-05 | 9021010-05 | Hose Clamp |
| 24 | 9091024-01 | 9091024-01 | 9091024-01 | 9091024-01 | Barbed Tee |
| 25 | 3051222-20 | 3051222-20 | 3051222-20 | 3051222-20 | Tubing 9/16 x 20 Inches Long |
| 26 | 9021010-04 | 9021010-04 | 9021010-04 | 9021010-04 | Hose Clamp |
| 27 | 9091140-01 | 9091140-01 | 9091140-01 | 9091140-01 | Drain Adapter |
| 28 | 3013164-01 | 3013164-01 | 3013164-01 | 3013164-01 | Rear Panel |
| 29 | 9041059-01 | 9041059-01 | 9041059-01 | 9041059-01 | Water Regulator |
| 30 | 9091063-02 | 9091063-02 | 9091063-02 | 9091063-02 | Drop Adapter Fitting |
| 31 | 9091135-01 | 9091135-01 | 9091135-01 | 9091135-01 | Water inlet Fitting |
| 32 | 9031118-05 | 9031118-05 | 9031118-05 | 9031118-05 | Flanged Lock Nut |
| 33 | 9041087-03 | 9041087-03 | 9041087-03 | 9041087-03 | High Temperature Safety Control |

| ICEU150 | ICEU220 | ICEU225 | ICEU226 | Description |
|-------------------|------------|------------|------------|--------------------------------------|
| 9181115-12 | 9181115-12 | 9181115-13 | 9181115-14 | Compressor |
| 9181005-38 | 9181005-38 | 9181005-40 | 9181005-41 | Overload |
| 9181003-43 | 9181003-43 | 9181003-29 | 9181003-41 | Start Capacitor |
| 9181004-24 | 9181004-24 | 9181004-20 | 9181004-28 | Compressor Relay |
| 9181148-11 | | | | Compressor (ASE14C4E-IAA) NLA |
| 9181005-45 | | | | Overload |
| 9181003-53 | | | | Start Capacitor |
| 9181004-30 | | | | Compressor Relay |
| 9181115-11 | | | | Compressor (ASB14CE-IAA) NLA |
| 9181005-42 | | | | Overload |
| 9181003-43 | | | | Start Capacitor |
| 9181004-24 | | | | Compressor Relay |

***Note: When installing a 9181115-12 Compressor, it is recommended that the 9161112-01 Fan Motor be installed.**

Reference the Model Number below for the specific Harvest Assist Assembly

| Item | ICEU150 | ICEU220 | ICEU225 | ICEU226 | Description |
|------|--------------------|--------------------|--------------------|--------------------|--------------------------------|
| | 1051210-05A | 1051210-05A | 1051210-07A | 1051210-07A | Harvest Assist Assembly |
| | 2061962-05S* | 2061962-05S* | 2061962-07S* | 2061962-07S* | No Longer Available |

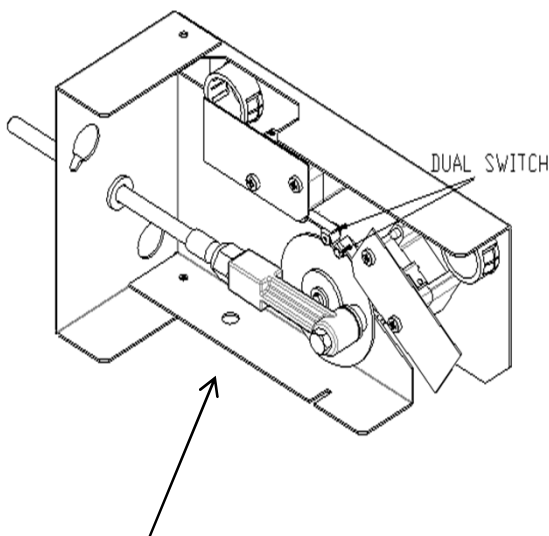


- The **1051210-XXA** assembly will fit all ICE Models from October 1999 and EC Models.
- Units installed with a double cam switch, either Field installed or Factory installed will require the complete assembly and a potential wiring change as per the New Wiring Diagram included with the assembly.
- Individual component parts are not available for the **1051210-XXA** assembly.
- Individual component parts are No Longer Available for previous version of the Harvest Assist Assembly
- Parts for the **2061962-XX** Harvest Assist Assembly are not compatible with **1051210-XXA** Harvest Assist Assembly.
- Proper assembly and alignment of the parts is critical to proper operation, this includes cam and probe alignment.
- If a **1051210-XXA** assembly fails, it must be returned to Ice-O-Matic.

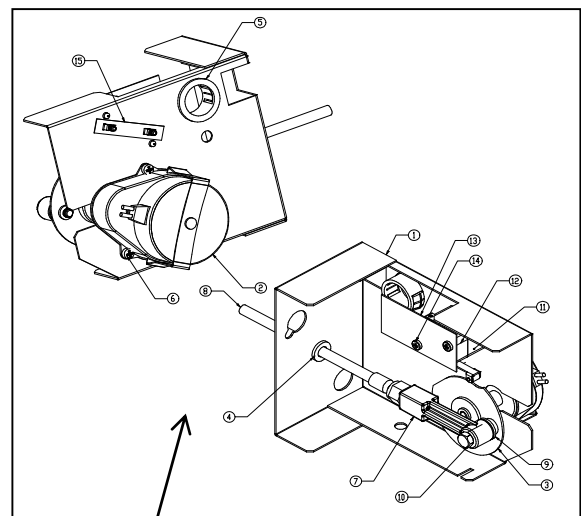
1051210-XXA are only supplied as complete assemblies, individual components are not available.

Please reference the above Model Numbers to insure the correct assembly is supplied

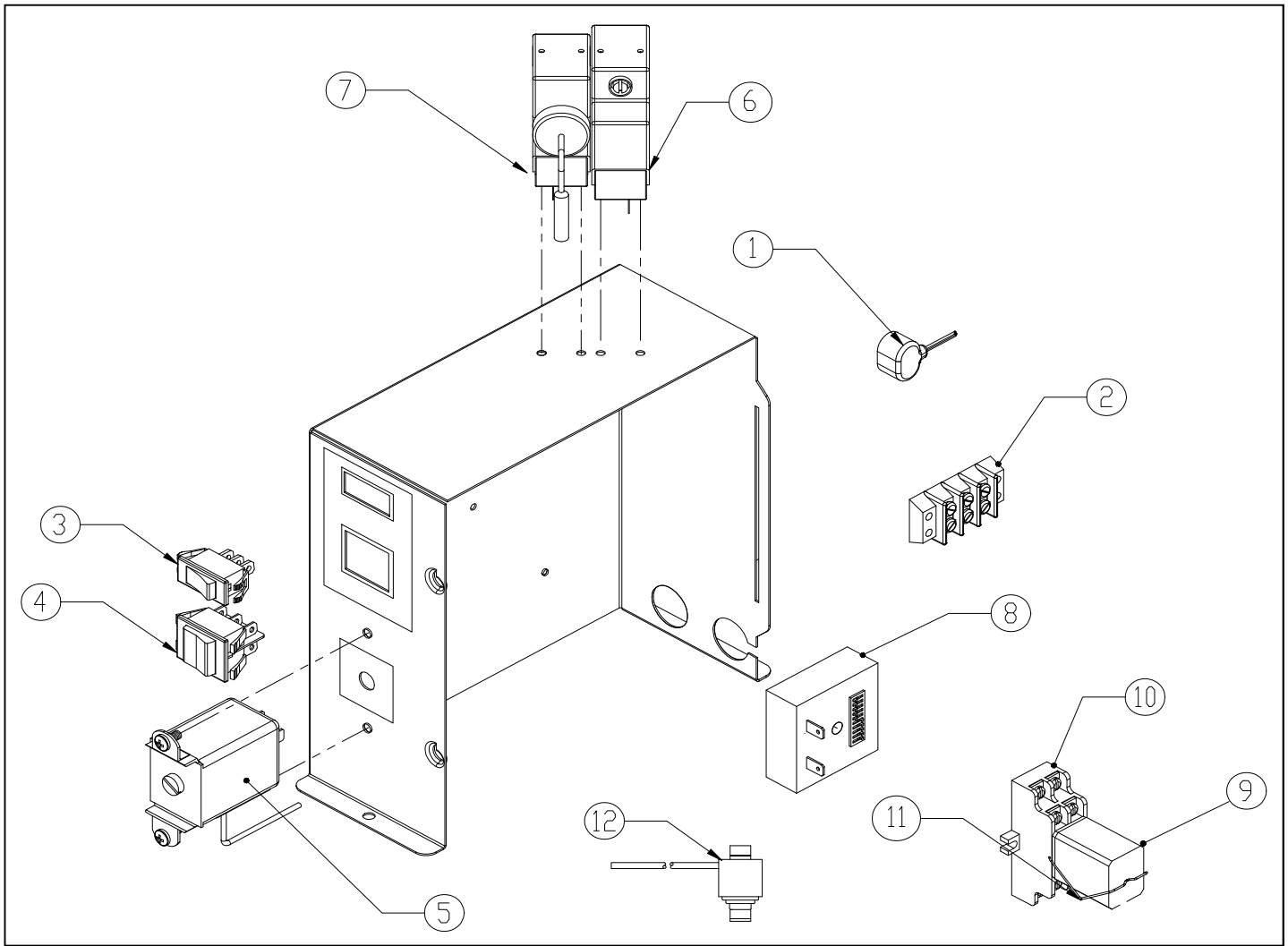
THE DUAL CAM SWITCH HARVEST ASSIST ASSEMBLIES ARE NO LONGER AVAILABLE



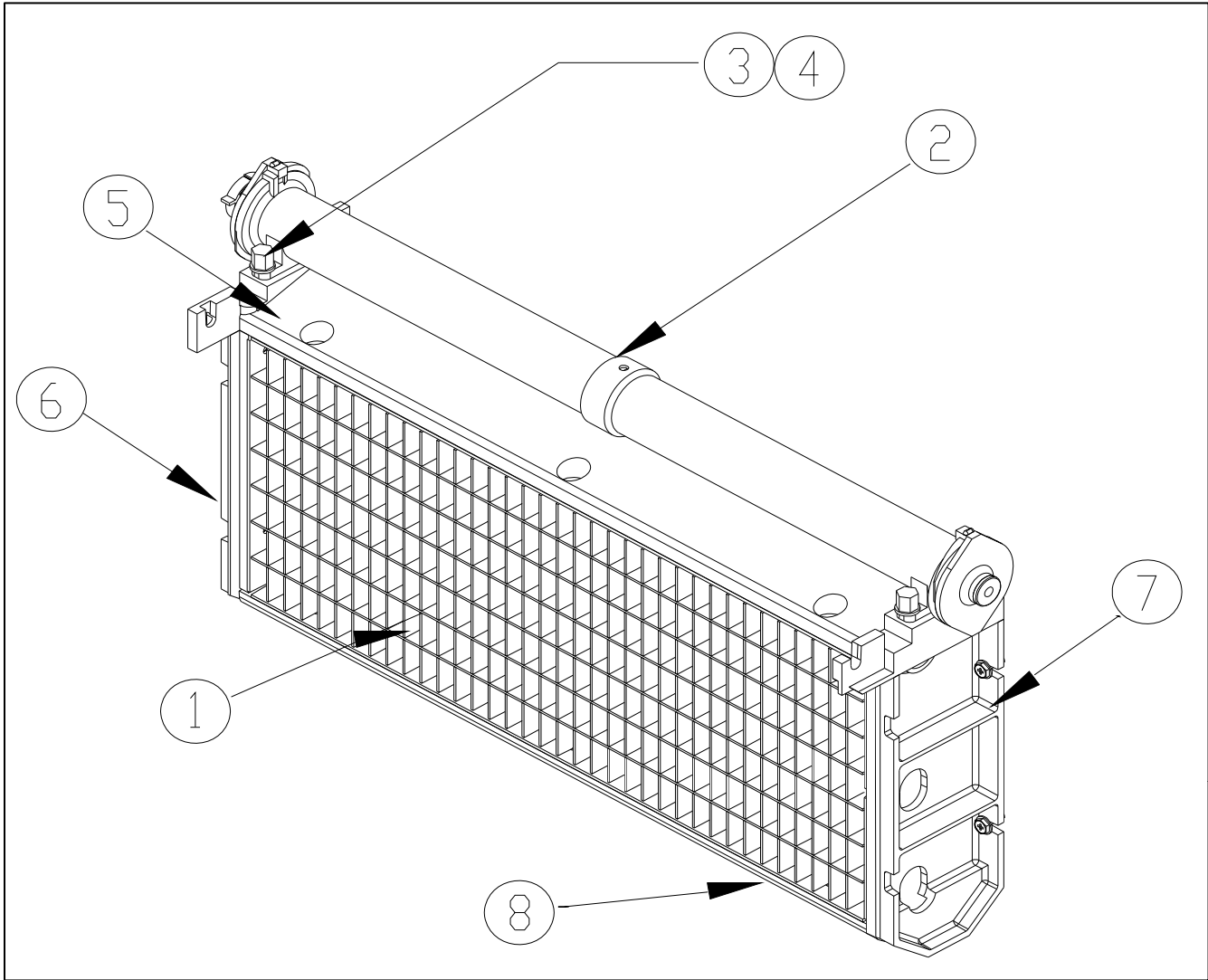
| |
|---------------------------------------|
| 1051199-01 No Longer Available |
| 1051200-01 No Longer Available |
| 1051201-01 No Longer Available |
| 1051202-01 No Longer Available |
| 1051207-01 No Longer Available |



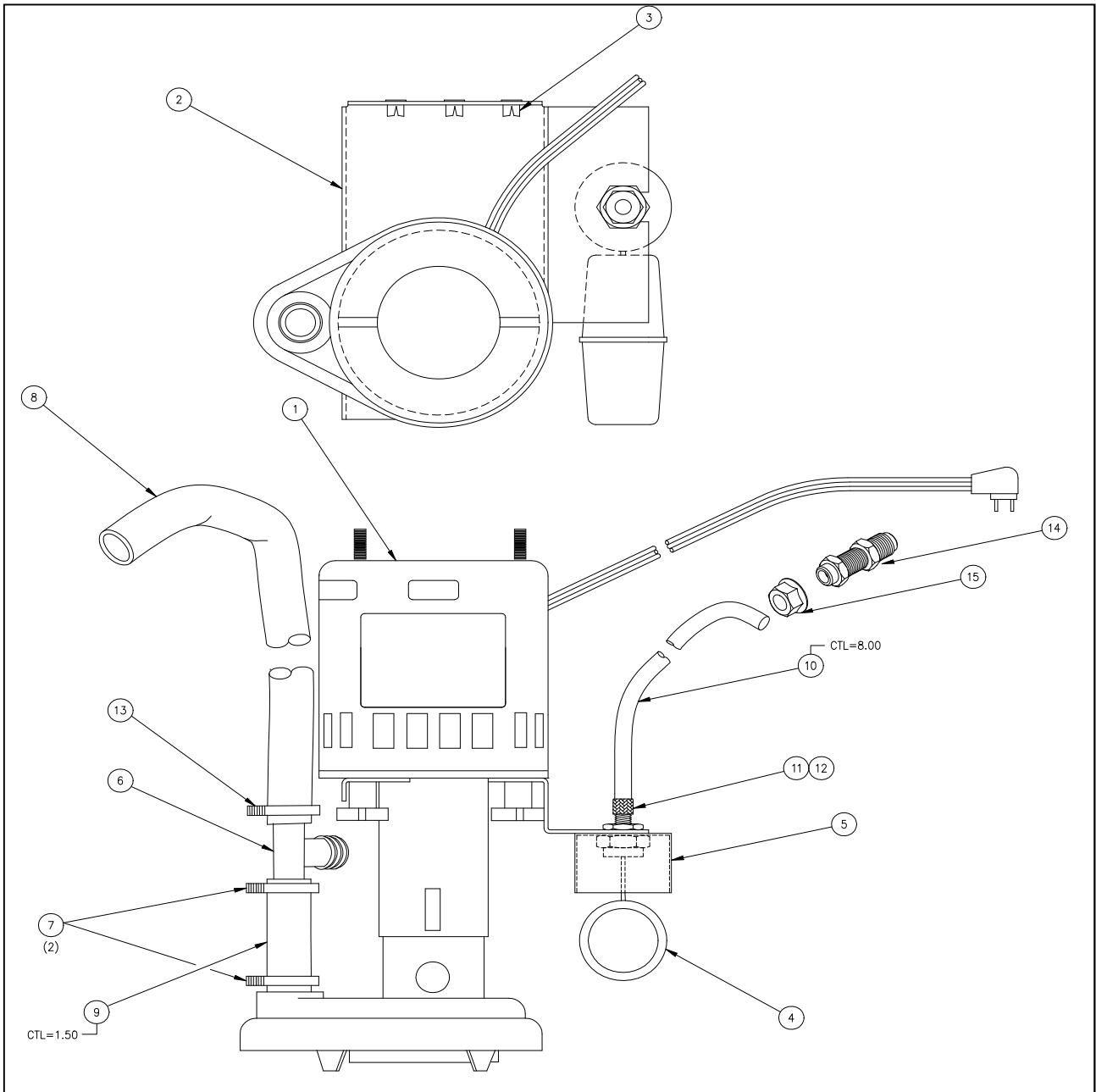
| |
|--|
| 2061962-01S No Longer Available |
| 2061962-05S No Longer Available |
| 2061962-07S No Longer Available |



| Item | ICEU150 | ICEU220 | ICEU225 | ICEU226 | Description |
|------|---------------------|---------------------|---------------------|---------------------|---|
| 1 | 9101218-01 | 9101218-01 | 9101218-01 | 9101218-01 | Water Pump Connector |
| 2 | 9101037-01 | 9101037-01 | 9101037-01 | 9101037-01 | Terminal Block |
| 3 | 1051208-01 | 1051208-01 | 1051208-01 | 1051208-01 | Switch-Purge 1051208-01 is NLA |
| 3 | 9101139-03 | 9101139-03 | 9101139-03 | 9101139-03 | Switch-Purge |
| 4 | 9101349-01 | 9101349-01 | 9101349-01 | 9101349-01 | Ice/Off/Wash Switch 9101349-01 is NLA |
| 4 | 9101195-01 | 9101195-01 | 9101195-01 | 9101195-01 | Ice/Off/Wash Switch |
| 5 | 9041097-01 | 9041097-01 | 9041097-01 | 9041097-01 | Thermostat-Bin Control |
| 6 | 9041104-101A | 9041104-101A | 9041104-101A | 9041104-101A | Low Pressure Control 9041094-01 is NLA |
| 7 | 9041095-01 | 9041095-01 | 9041095-01 | 9041095-01 | High Pressure Control |
| 8 | 9101148-01 | 9101148-01 | 9101148-01 | 9101148-01 | Timing Module |
| 9 | 9101084-01 | 9101084-01 | 9101084-02 | 9101084-02 | Relay |
| 10 | 9101083-01 | 9101083-01 | 9101083-01 | 9101083-01 | Socket-Relay |
| 11 | 9101083-02 | 9101083-02 | 9101083-02 | 9101083-02 | Hold Down Spring - Relay |
| 12 | 9041087-03 | 9041087-03 | 9041087-03 | 9041087-03 | High Temperature Safety Control |



| Item | Description | ICEU150 | ICEU220 | ICEU225 | ICEU226 |
|------|--------------------------------------|-------------|-------------|-------------|-------------|
| 1 | Evaporator-Half Cube (Shown) | 2051231-02S | 2051231-02S | 2051231-02S | 2051231-02S |
| 1 | Evaporator-Full Cube | 2051231-01S | 2051231-01S | 2051231-01S | 2051231-01S |
| 2 | Water Distribution Tube | 2041338-01 | 2041338-01 | 2041338-01 | 2041338-01 |
| 3 | Thumbscrew | 9031122-01 | 9031122-01 | 9031122-01 | 9031122-01 |
| 4 | Rubber Washer | 9031004-19 | 9031004-19 | 9031004-19 | 9031004-19 |
| 5 | Spillway | 9051135-05 | 9051135-05 | 9051135-05 | 9051135-05 |
| 6 | Left Side Evaporator Mounting Panel | 9051136-07 | 9051136-07 | 9051136-07 | 9051136-07 |
| 7 | Right Side Evaporator Mounting Panel | 9051136-08 | 9051136-08 | 9051136-08 | 9051136-08 |
| 8 | Water Return | 9051135-04 | 9051135-04 | 9051135-04 | 9051135-04 |



| Item | ICEU150 | ICEU220 | ICEU225 | ICEU226 | Description |
|------|-------------|-------------|-------------|-------------|---------------------------------------|
| 1 | 9161076-01 | 9161076-01 | 9161076-02 | 9161076-02 | Water Pump |
| 2 | 3012847-01 | 3012847-01 | 3012847-01 | 3012847-01 | Pump Bracket |
| 3 | 9031141-01 | 9031141-01 | 9031141-01 | 9031141-01 | Plastic Nut |
| 4 | 9131111-101 | 9131111-101 | 9131111-101 | 9131111-101 | Float |
| 5 | 9131026-02 | 9131026-02 | 9131026-02 | 9131026-02 | Cap Plug |
| 6 | 9091024-01 | 9091024-01 | 9091024-01 | 9091024-01 | Plastic Barbed Tee 5/8 |
| 7 | 9021010-04 | 9021010-04 | 9021010-04 | 9021010-04 | Plastic Clamp |
| 8 | 9051280-05 | 9051280-05 | 9051280-05 | 9051280-05 | Hose PVC 9/16 (Formed) |
| 9 | 6021015-04 | 6021015-04 | 6021015-04 | 6021015-04 | Hose PVC 5/8 - 1.50 Inch Required |
| 10 | 6021032-01 | 6021032-01 | 6021032-01 | 6021032-01 | Tube-Polyethylene - 8 Inches Required |
| 11 | 9091080-01 | 9091080-01 | 9091080-01 | 9091080-01 | Barrel Fitting |
| 12 | 9091081-01 | 9091081-01 | 9091081-01 | 9091081-01 | Sleeve |
| 13 | 9021010-03 | 9021010-03 | 9021010-03 | 9021010-03 | Plastic Clamp |
| 14 | 9091135-01 | 9091135-01 | 9091135-01 | 9091135-01 | Water Inlet Fitting |
| 15 | 9031118-05 | 9031118-05 | 9031118-05 | 9031118-05 | Lock Nut |