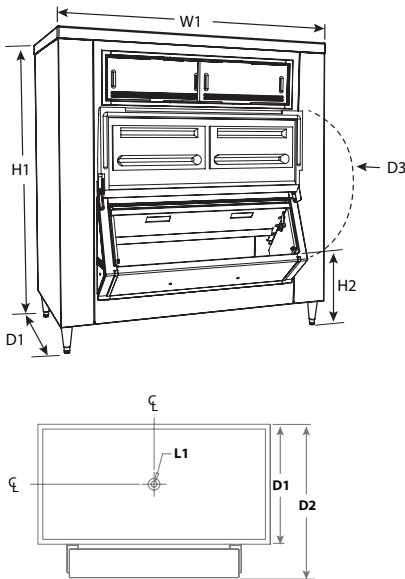




B1000-48

Features

- Application storage capacity from 680 lbs (308 kg) to 1660 lbs (753 kg).
- 31" deep for use where space is at a premium.
- Durable stainless-steel construction.
- First-in, first-out ice management for fresher ice.
- Corrosion-resistant poly bin liner.
- Heavy duty "stay-open" door for easy one hand access.
- Ice shield controls flow and reduces spills.



| UPRIGHT BIN SPECIFICATIONS | |
|--|------------------------------|
| Maximum Bin Capacity | see model table below |
| W1 Width | see model table below |
| D1 Depth | see model table below |
| D2 Depth with lower door assembly (easily removed for installation access) | add 8.00" (20.32 cm) to D1 |
| D3 Depth with door fully extended | add 18.50" (47.0 cm) to D1 |
| H1 Height (adjustable) | see model table below |
| H2 Bin sill height | 19.00" (48.3 cm) |
| Required door access | see model table below |
| L1 Drain Ice compatibility | 1" FPT, center of bin bottom |
| Shipping weight | see model table below |
| NOTE: For indoor use only | |

| Model | Maximum Bin Capacity lb (kg) | Cubic Volume cu ft (m) | Width - W1 in (mm) | Depth - D1 in (mm) | Height - H1 in (mm) | Required Door Access in (mm) | Approximate Ship Weight lb (kg) |
|----------|------------------------------|------------------------|--------------------|--------------------|---------------------|------------------------------|---------------------------------|
| B700-30 | 680 (308) | 21.7 (0.61) | 30 (762) | 31 (787) | 60 (1524) | 31 (787) | 212 (96) |
| B1000-48 | 1000 (454) | 31.9 (0.90) | 48 (1219) | 31 (787) | 56 (1424) | 32 (813) | 268 (122) |
| B1300-48 | 1320 (599) | 41.9 (1.19) | 48 (1219) | 31 (787) | 65 (1651) | 32 (813) | 270 (123) |
| B1325-60 | 1325 (601) | 42.0 (1.19) | 60 (1524) | 31 (787) | 56 (1424) | 32 (813) | 320 (146) |
| B1600-60 | 1660 (753) | 52.8 (1.50) | 60 (1524) | 31 (787) | 65 (1651) | 32 (813) | 340 (154) |



Single Ice Machine Configurations

Ice-O-Matic offers a full line of bins for most applications. From low profile slope-front bins to high capacity space-saving uprights, we have a bin to meet any need. The following table will help you create the system you need in a safe and cost effective manner.

| Bin Model No. | Style | CIM Series Cube Ice Makers | | | ICE Series Cube Ice Makers | | | Pearl Ice® Ice Makers | | Flake Ice Machine | |
|---------------|-------------|-------------------------------|----------------------|-----------------------|-------------------------------|----------------------|-----------------------|--------------------------|----------------------|----------------------|----------------------|
| | | 22" (565 mm) wide | 30" (762 mm) wide | 48" (1219 mm) wide | 22" (565 mm) wide | 30" (762 mm) wide | 48" (1219 mm) wide | 21" (533 mm) wide | 30" (762 mm) wide | 21" (533 mm) wide | 30" (762 mm) wide |
| B25PP** | Slope Front | KBT19 | △ | N/A | KBT19 | △ | N/A | KBT19 | △ | KBT19 | △ |
| B40PS | Slope Front | KBT19 | △ | N/A | KBT19 | △ | N/A | KBT19 | △ | KBT19 | △ |
| B42PS | Slope Front | △ | N/A | N/A | △ | N/A | N/A | KBT24 | N/A | KBT24 | N/A |
| B55PS | Slope Front | KBT19 | △ | N/A | KBT19 | △ | N/A | KBT19 | △ | KBT19 | △ |
| B110PS | Slope Front | KBT23C | BPF-1*** | △ | N/A | BPF-1*** | △ | KBT23C | BPF-1*** | KBT23C | BPF-1*** |
| B700-30 | Upright | △ | △ | △ | △ | △ | △ | △ | △ | △ | △ |
| B1000-48 | Upright | △ | △ | △ | △ | △ | △ | △ | △ | △ | △ |
| B1300-48 | Upright | △ | △ | △ | △ | △ | △ | △ | △ | △ | △ |
| B1325-60 | Upright | △ | △ | △ | △ | △ | △ | △ | △ | △ | △ |
| B1600-60 | Upright | △ | △ | △ | △ | △ | △ | △ | △ | △ | △ |

** Rotocast finish

*** BPF-1 used with B110 bins only. If you have an older model B100 use the KBT5.

△ Kit not required

N/A - Ice Machine and Bin Configurator not applicable

Side-by-Side Ice Machine Configurations

There are times when it is desirable to install (2) ice machines side-by-side on a bin. The reasons may range from gaining maximum output to creating redundancy. Ice-O-Matic offers an array of kits and bins with custom order tops for just such applications. The following table will help you create the system you need in a safe and cost effective manner.

| Bin Model No. | Style | CIM Series Cube Ice Makers | | ICE Series Cube Ice Makers | | Pearl Ice® Ice Makers | | Flake Ice Machine | |
|---------------|-------------|-------------------------------|--------------------------|-------------------------------|--------------------------|--------------------------|--------------------------|--------------------------|--------------------------|
| | | TWO 22" (565 mm) wide | TWO 30" (762 mm) wide | TWO 22" (559 mm) wide | TWO 30" (762 mm) wide | TWO 21" (533 mm) wide | TWO 30" (762 mm) wide | TWO 21" (533 mm) wide | TWO 30" (762 mm) wide |
| B25PP** | Slope Front | N/A | N/A | N/A | N/A | N/A | N/A | N/A | N/A |
| B40PS | Slope Front | N/A | N/A | N/A | N/A | N/A | N/A | N/A | N/A |
| B42PS | Slope Front | N/A | N/A | N/A | N/A | N/A | N/A | N/A | N/A |
| B55PS | Slope Front | N/A | N/A | N/A | N/A | N/A | N/A | N/A | N/A |
| B110PS | Slope Front | KBT222 | N/A | N/A | N/A | KBT222 | N/A | KBT222 | N/A |
| B700-30 | Upright | N/A | N/A | N/A | N/A | N/A | N/A | N/A | N/A |
| B1000-48 | Upright | △△ | N/A | △△ | △△ | △△ | N/A | △△ | N/A |
| B1300-48 | Upright | △△ | N/A | △△ | △△ | △△ | N/A | △△ | N/A |
| B1325-60 | Upright | △△ | KBTF230* | △△ | KBTF21506 | △△ | KBTF230 | △△ | KBTF230 |
| B1600-60 | Upright | △△ | KBTF230* | △△ | KBTF21506 | △△ | KBTF230 | △△ | KBTF230 |

* Must use remote or water cooled model only

** Rotocast finish

△△ Kit not required

N/A - Ice Machine and Bin Configurator not applicable

Bin Accessories

| Ice-O-Matic Part Number | Description |
|-------------------------|--------------------------------|
| 1011517-22 | Plastic ice shovel |
| 1011517-23 | Hanging bracket for ice shovel |
| 1011517-24 | 46.5" Plastic paddle |
| 1051517-29 | Hanging bracket for ice paddle |
| 9051127-01 | 82 Ounce ice scoop |



GEMO650 ON IOD200

Features

- Space-saving 21" (533 mm) wide design.
- Produces up to 770 lbs (349 kg) of ice per day.
- Soft, chewable nugget ice crystals.
- Cools beverages faster and longer while maintaining flavors better.
- Decreased water and power usage compared to cube ice makers.
- SystemSafe load monitoring system constantly checks workload on gearbox, shutting down system before a problem develops and preventing costly repairs.
- Water Sensor eliminates low or no water failures and cannot be affected by adverse water conditions.
- Rugged stainless steel evaporator and auger ensures reliability.
- Industrial-grade roller bearings and heavy-duty gearbox provide years of trouble-free service.

Options & Accessories

| WATER FILTERS | | |
|-------------------|----------|-------------|
| Ice Machine Model | Manifold | |
| | System | Replacement |
| GEMO650 | IFQ1 | IOMQ (1) |
| GEMO655 | | |

Ice Maker Warranty

Every Ice-O-Matic ice maker is backed by a warranty that provides both parts and labor coverage.

- Three years **Parts** and **Labor** for all nugget ice maker parts.
- Five years **Parts** coverage on the compressor.

Ice Form



| NUGGET ICE DIMENSIONS | |
|-----------------------|------------|
| H x Dia. (in.) | 1/2 x 3/8 |
| H x Dia. (mm) | 12.7 x 9.5 |

Bin Chart *Kits for Combining Wider Bins with Smaller Models*

| ICE STORAGE BINS | | | | | | | | | | |
|------------------|------------------|------------------|------------------|------------------|------------------|------------------|-------------------|-------------------|-------------------|-------------------|
| Model No. | B25 | B40 | B42 | B55 | B700 | B110 | B1000 | B1300 | B1325 | B1600 |
| Capacity | 242 lbs (110 kg) | 344 lbs (156 kg) | 351 lbs (160 kg) | 510 lbs (232 kg) | 680 lbs (308 kg) | 854 lbs (388 kg) | 1000 lbs (454 kg) | 1320 lbs (599 kg) | 1325 lbs (601 kg) | 1660 lbs (753 kg) |
| Width | 30 in (762 mm) | 30 in (762 mm) | 22 in (559 mm) | 30 in (762 mm) | 30 in (762 mm) | 48 in (1,219 mm) | 48 in (1,219 mm) | 48 in (1,219 mm) | 60 in (1,524 mm) | 60 in (1,524 mm) |
| Kits | KBT19 | | KBT24 | KBT19 | Kit not required | KBT23C | Kit not required | | | |
| GEMO650 | KBT19 | | KBT24 | KBT19 | Kit not required | KBT23C | Kit not required | | | |
| GEMO655 | KBT19 | | KBT24 | KBT19 | Kit not required | KBT23C | Kit not required | | | |

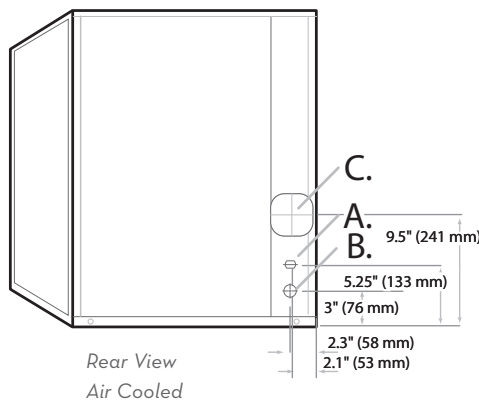
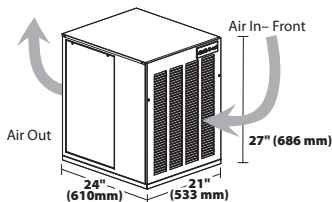
*See Ice-O-Matic Price List for Adapter Kits to combine ice makers with most available ice/beverage dispensers



Air Cooled

Please note: air-cooled units require 6" (152 mm) clearance for air intake and exhaust.

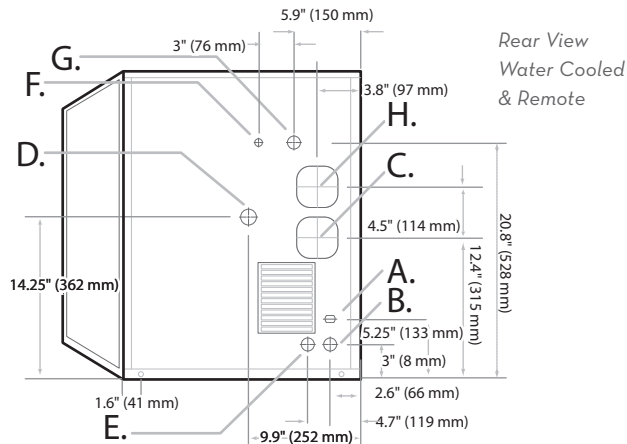
- A. Ice maker potable water in, 3/8" FPT.
- B. Ice maker water out, 3/4" FPT.
- C. Electrical inlet.



Rear View
Air Cooled

Water Cooled/Remote

- A. Ice maker water in, 3/8" FPT.
- B. Ice maker water out, 3/4" FPT.
- C. Electrical inlet.
- D. Condenser water in, 3/8" (water cooled only).
- E. Condenser water out, 1/2" (water cooled only).
- F. Liquid line, 3/8" male coupling for precharged line set (remote only).
- G. Discharge line, 1/2" male coupling for precharged line set (remote only).
- H. Remote condenser junction box (remote only).



Rear View
Water Cooled
& Remote

Operating Requirements

| | MINIMUM | MAXIMUM | |
|-------------------------|-------------------|--------------------|------|
| | | 60 Hz | 50Hz |
| Ambient Temp. Range Air | 50°F (10°C) | 100°F (38°C) | |
| Water Temp. | 40°F (4.4°C) | | |
| Water Pressure | 20 PSIG (1.4 BAR) | 120 PSIG (8.3 BAR) | |
| Remote Cond. Temps | -20°F (-29°C) | 120°F (50°C) | |

Dimensions

| ALL MODELS | |
|-----------------|-----------------|
| W x D x H (in.) | 21 x 24 x 27 |
| W x D x H (mm) | 533 x 610 x 686 |

Specifications

| Model Number | Cond. Unit | Ice Production per 24hrs | | Water Usage gallons per 100 lbs (45 kg) of ice | | kWH Used per 100 lbs (45 kg) of ice @ 90°F (32°C) air/70°F (21°C) water | Voltage Characteristics | Min. Circuit Ampacity | Fuse Size | Approx. BTUs per hour** |
|--------------|------------|--|--|--|-----------|---|-------------------------|-----------------------|-----------|-------------------------|
| | | 70°F (21°C) air/50°F (10°C) water lbs (kg) | 90°F (32°C) air/70°F (21°C) water lbs (kg) | Potable | Condenser | | | | | |
| GEMO650A | Air | 740 (336) | 500 (227) | 12.0 | - | 5.31 | 115/60/1 | 21.0 | 30 | 5,600 |
| GEMO650W | Water | 770 (349) | 633 (287) | | 115 | 3.40 | | | | |
| GEMO650R | Remote* | 770 (349) | 550 (249) | | - | 5.65 | | 23.5 | | |
| GEMO655A | Air | 665 (302) | 494 (224) | | - | 4.80 | 220-240/50/1 | 10.1 | 16 | 4,400 |
| GEMO655A-49 | Air | 665 (302) | 494 (224) | | - | 4.80 | | 10.1 | | |
| GEMO655W | Water | 699 (317) | 578 (262) | | 87.5 | 3.70 | | 9.5 | | |
| GEMO655W-49 | Water | 699 (317) | 578 (262) | | 87.5 | 3.70 | | 9.5 | | |

*Requires RGA050I-HM Remote Condenser.

**BTUH is calculated to 0°F Evaporator, 100°F Condensing, and 33 PSIG.

NOTES:

- Number of Wires: 3 (including ground)
- Approx. Shipping Weight lbs (kg): GEMO650A 205 (93) • GEMO650W 220 (110) • GEMO650R 220 (100) • GEMO655A 205 (93) • GEMO655W 200 (91)
- Refrigerant Type: GEMO655A = R404A • GEMO655A-49 = R449A