



**SERVICE PARTS MANUAL
CIM SERIES**

**CIM0330, CIM0430, CIM0436, CIM0530 and CIM0636
CIM0335, CIM0435, CIM0535 and CIM0635**



This parts list contains the service parts available for the following CIM Series.

CIM0330	115/60/1	CIM0335	220-240/50/1
CIM0430	115/60/1		
CIM0436	208-230/60/1	CIM0435	220-240/50/1
CIM0530	115/60/1	CIM0535	220-240/50/1
CIM0636	208-230/60/1	CIM0635	220-240/50/1

Model Number Example

CIM0330HA

CIM = **C**uber **I**ce **M**achine

03 = 300 lb, in 24 hours capacity

3 = 30 inch wide cabinet

0 = 115 Volt, **5** = 220-240/50/1 **6** = 208-230/60/1 Volt

H = Half Cube Size, **F** = Full Cube Size

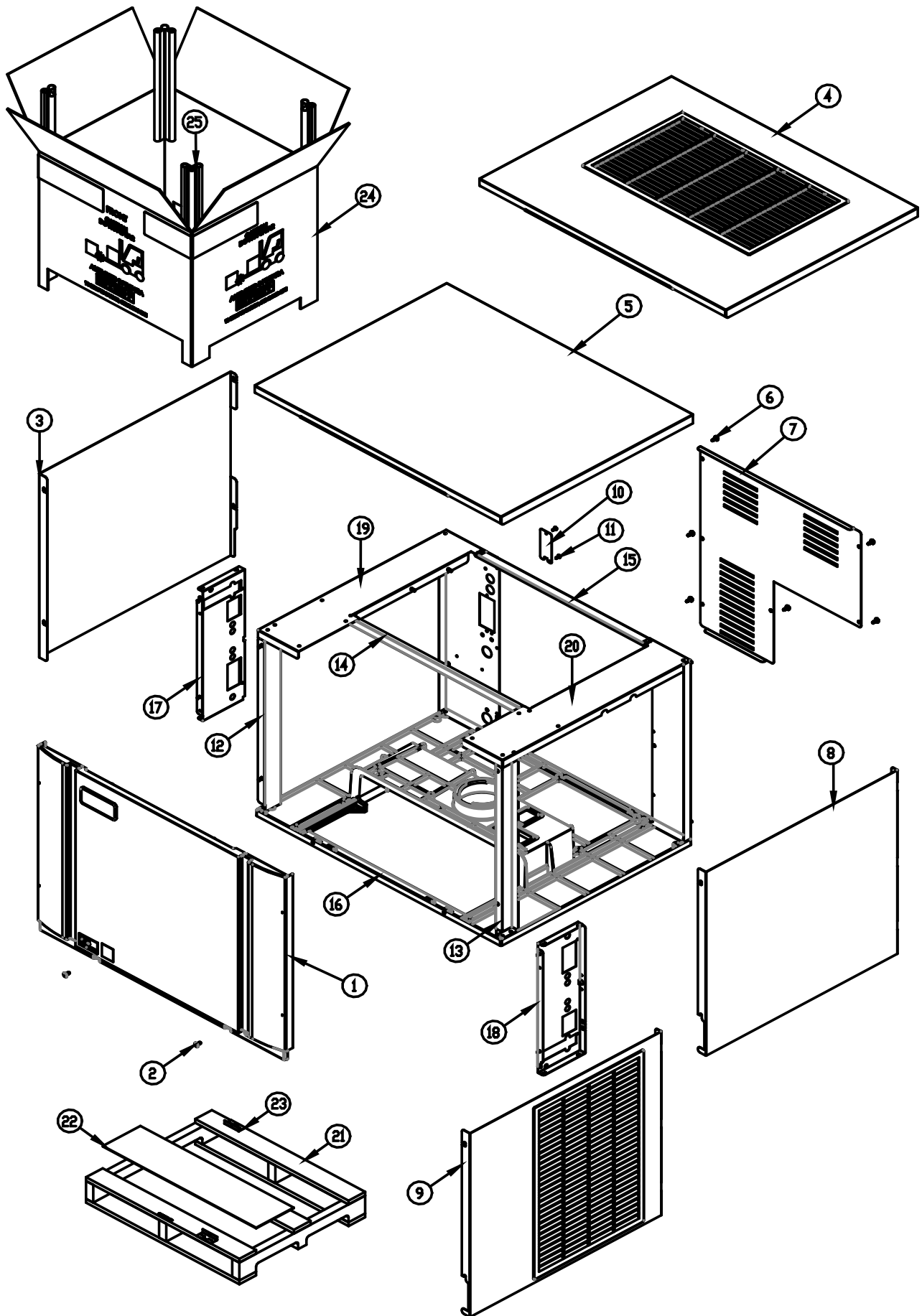
A = Air Cooled Condenser, **W** = Water Cooled Condenser **R**=Remote Condenser

Check the model number on the data plate and refer to the correct listing for the specific component.

Check carefully that the correct part is identified and ordered.

Table of Contents	Page 1
Cabinet	Page 2-3
Water System	Page 4-5
Air Cooled Condenser	Page 6-7
Water Cooled Condenser	Page 8-9
Remote Condenser	Page 10-11
Electrical	Page 12-13

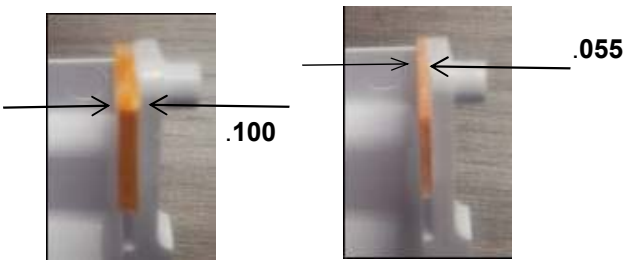
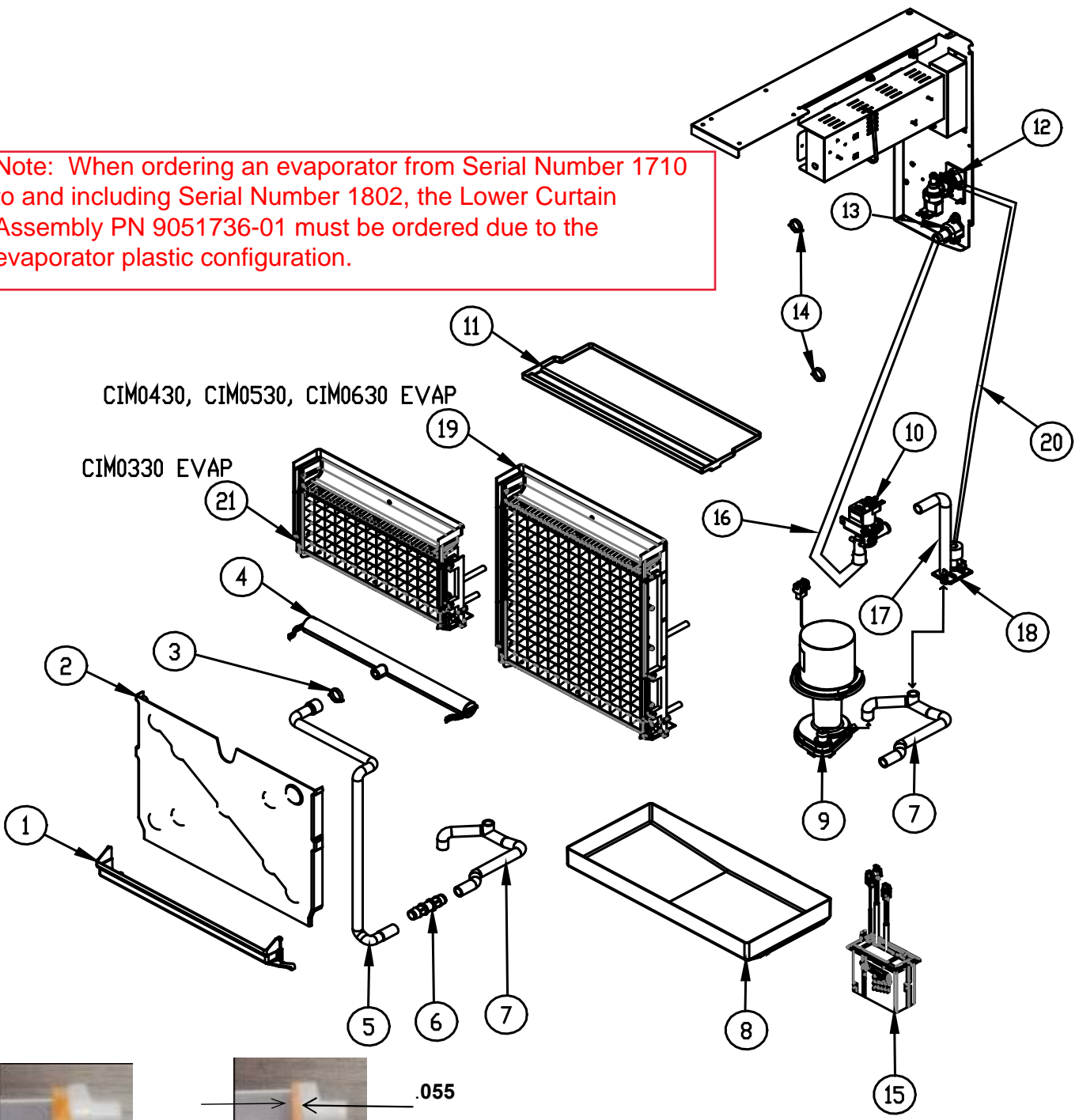
Ice-O-Matic
11100 East 45th Ave.
Denver Co. 80239
800-423-3367



Item No.	Model Number					Description
	CIM0330	CIM0430	CIM0436	CIM0530	CIM0636	
1	2031540-01S	2031540-01S	2031540-01S	2031540-01S	2031540-01S	Front Panel
2	9031237-01	9031237-01	9031237-01	9031237-01	9031237-01	Front Panel Screws
3	3022007-02	3022007-02	3022007-02	3022007-02	3022007-02	Left Side Side Panel
4	2101496-02S	2101496-02S	2101496-02S	2101496-02S	2101496-02S	Top Panel-Air Cooled
5	3022012-03	3022012-03	3022012-03	3022012-03	3022012-03	Top Panel-Remote and Water Cooled
6	9031046-01	9031046-01	9031046-01	9031046-01	9031046-01	Rear Cover Screws
7	3013634-01	3013634-01	3013634-01	3013634-01	3013634-01	Rear Cover
8	3022007-03	3022007-03	3022007-03	3022007-03	3022007-03	Right Side Panel-Air, Remote and Water Cooled
9	2101495-01S	2101495-01S	2101495-01S	2101495-01S	2101495-01S	Right Side Panel-Air Cooled
10	3013674-01	3013674-01	3013674-01	3013674-01	3013674-01	Junction Box Cover
11	9031046-01	9031046-01	9031046-01	9031046-01	9031046-01	Junction Box Screw
12	2021786-01	2021786-01	2021786-01	2021786-01	2021786-01	Left Front Corner Post
13	2021786-02	2021786-02	2021786-02	2021786-02	2021786-02	Right Front Corner post
14	3013637-02	3013637-02	3013637-02	3013637-02	3013637-02	Brace 30 Inch
15	3013636-01	3013636-01	3013636-01	3013636-01	3013636-01	Rear Brace
16	9051725-02	9051725-02	9051725-02	9051725-02	9051725-02	Base
17	2021784-01	2021784-01	2021784-01	2021784-01	2021784-01	Front Left Brace
18	2021785-01	2021785-01	2021785-01	2021785-01	2021785-01	Front Right Brace
19	2021780-01	2021780-01	2021780-01	2021780-01	2021780-01	Right Side Framework 30"Assembly
20	2021781-01	2021781-01	2021781-01	2021781-01	2021781-01	Left Side Framework 30"Assembly
21	9011369-02	9011369-02	9011369-02	9011369-02	9011369-02	Elevation Skid 30 Inch
22	9011378-01	9011378-01	9011378-01	9011378-01	9011378-01	Carton Liner 30 Inch
23	9051765-01	9051765-01	9051765-01	9051765-01	9051765-01	Shipping Bracket 2 Req. (Field Installed)
24	9011374-02	9011374-02	9011374-02	9011374-02	9011374-02	Carton, Elevation 30 Inch
25	9011320-15	9011320-15	9011320-15	9011320-15	9011320-15	Corner Post (Each), Elevation, (4 Required)
	9031026-04P	9031026-04P	9031026-04P	9031026-04P	9031026-04P	Pop Rivets Not Shown (Package of 10)

	CIM0335		CIM0435	CIM0535	CIM0635	Description
1	2031540-01S		2031540-01S	2031540-01S	2031540-01S	Front Panel
2	9031237-01		9031237-01	9031237-01	9031237-01	Front Panel Screws
3	3022007-02		3022007-02	3022007-02	3022007-02	Left Side Side Panel
4	2101496-02S		2101496-02S	2101496-02S	2101496-02S	Top Panel-Air Cooled
5	Not Used		Not Used	3022012-03	3022012-03	Top Panel-Remote and Water Cooled
6	9031046-01		9031046-01	9031046-01	9031046-01	Rear Cover Screws
7	3013634-01		3013634-01	3013634-01	3013634-01	Rear Cover
8	Not Used		Not Used	3022007-03	3022007-03	Right Side Panel-Remote and Water Cooled
9	2101495-01S		2101495-01S	2101495-01S	2101495-01S	Right Side Panel-Air Cooled
10	3013674-01		3013674-01	3013674-01	3013674-01	Junction Box Cover
11	9031046-01		9031046-01	9031046-01	9031046-01	Junction Box Screw
12	2021786-01		2021786-01	2021786-01	2021786-01	Left Front Corner Post
13	2021786-02		2021786-02	2021786-02	2021786-02	Right Front Corner post
14	3013637-02		3013637-02	3013637-02	3013637-02	Brace 30 Inch
15	3013636-01		3013636-01	3013636-01	3013636-01	Rear Brace
16	9051725-02		9051725-02	9051725-02	9051725-02	Base
17	2021784-01		2021784-01	2021784-01	2021784-01	Front Left Brace
18	2021785-01		2021785-01	2021785-01	2021785-01	Front Right Brace
19	2021780-01		2021780-01	2021780-01	2021780-01	Right Side Framework 30"Assembly
20	2021781-01		2021781-01	2021781-01	2021781-01	Left Side Framework 30"Assembly
21	9011369-02		9011369-02	9011369-02	9011369-02	Elevation Skid 30 Inch
22	9011378-01		9011378-01	9011378-01	9011378-01	Carton Liner 30 Inch
23	9051765-01		9051765-01	9051765-01	9051765-01	Shipping Bracket 2 Req. (Field Installed)
24	9011374-02		9011374-02	9011374-02	9011374-02	Carton, Elevation 30 Inch
25	9011320-15		9011320-15	9011320-15	9011320-15	Corner Post (Each), Elevation, (4 Required)
	9031026-04P		9031026-04P	9031026-04P	9031026-04P	Pop Rivets Not Shown (Package of 10)

Note: When ordering an evaporator from Serial Number 1710 to and including Serial Number 1802, the Lower Curtain Assembly PN 9051736-01 must be ordered due to the evaporator plastic configuration.



1051225-01

1051225-02

Lower Curtain Dimensions

Example: **CIM0430FA** F = Full Cube **CIM0430HA** H = Half Cube

The Model Number of the machine has a designator for the Cube Size

CIM Service Parts

Water System

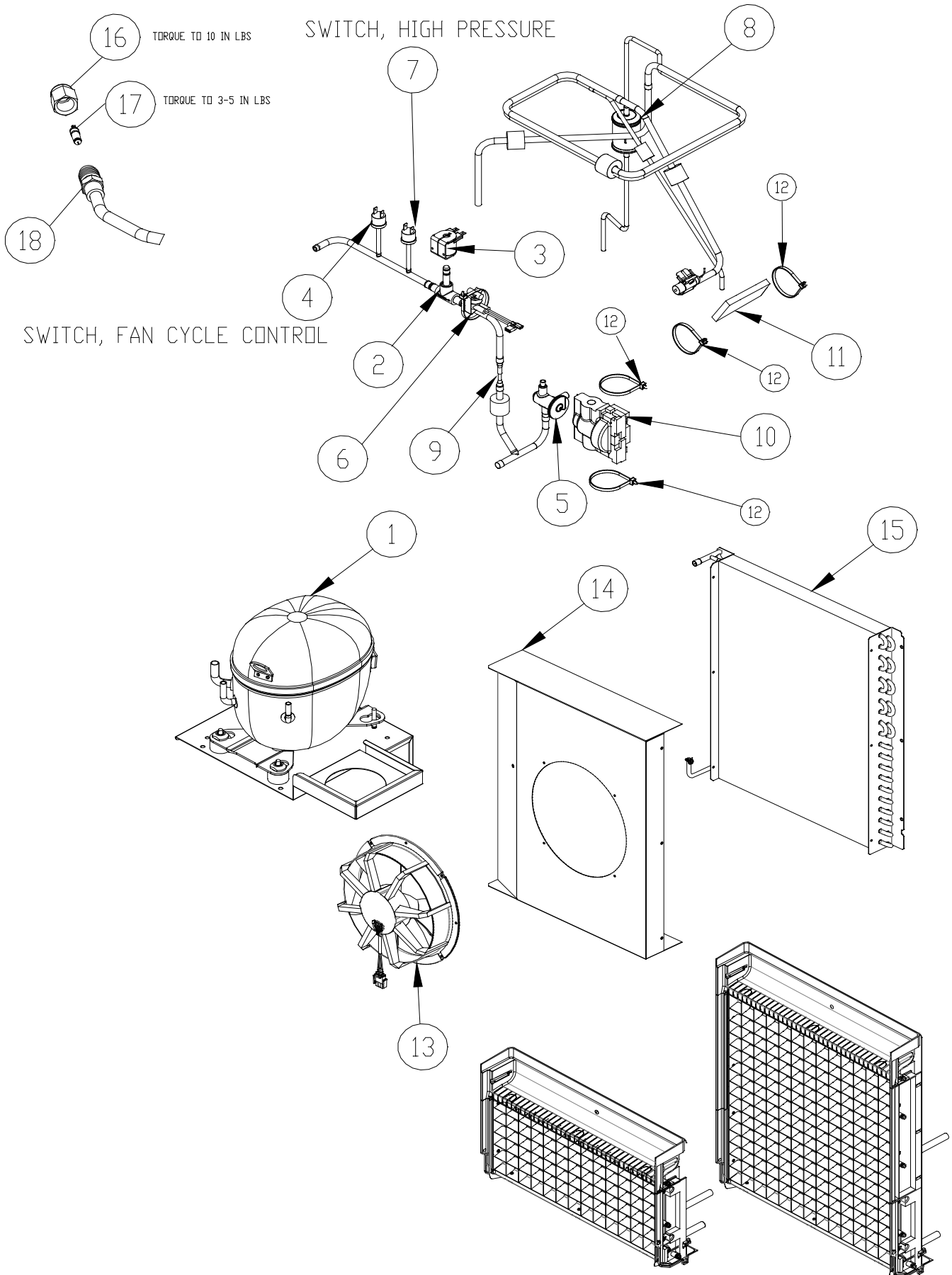
Important-Check the CIM Model Number and Serial Number when ordering the Lower Curtain

Item No.	Model Number					Description
	CIM0330	CIM0430	CIM0436	CIM0530	CIM0636	
1	9051736-01	9051736-01	9051736-01	9051736-01	9051736-01	Lower Curtain Assembly From SN 1803
	1051225-02	1051225-02	1051225-02	1051225-02	1051225-02	Lower Curtain Assembly From SN 1801 to 1802
	1051225-01	1051225-01	1051225-01	1051225-01	1051225-01	Lower Curtain Assembly From SN 1710 to 1712
2	9051726-01	9051726-02	9051726-02	9051726-02	9051726-02	Evaporator Cover
3	9021010-05	9021010-05	9021010-05	9021010-05	9021010-05	Hose Clamp, Plastic
4	9051766-01	9051766-01	9051766-01	9051766-01	9051766-01	Water Distribution Tube Assembly
5	9051749-01	9051749-02	9051749-02	9051749-02	9051749-02	Water Tube, Upper
6	9091177-01	9091177-01	9091177-01	9091177-01	9091177-01	Coupler, Straight, 5/8 I.D. Tubing
7	9051748-01	9051748-01	9051748-01	9051748-01	9051748-01	Water Tube, Sump
8	9051737-01	9051737-01	9051737-01	9051737-01	9051737-01	Sump/Water Trough
9	2062336-01S	2062336-01S	2062336-02S	2062336-01S	2062336-02S	Water Pump
10	9041105-04	9041105-04	9041105-05	9041105-04	9041105-05	Purge Valve
11	9051738-01	9051738-01	9051738-01	9051738-01	9051738-01	Top Cover
12	9041108-01	9041108-01	9041108-02	9041108-01	9041108-02	Water Inlet Valve
13	9091140-01	9091140-01	9091140-01	9091140-01	9091140-01	Drain Fitting
14	9021010-04	9021010-04	9021010-04	9021010-04	9021010-04	Hose Clamp, Plastic
15	1051224-01	1051224-01	1051224-01	1051224-01	1051224-01	Float Switch Assembly (Includes Instructions)
16	3051269-30S	3051269-30S	3051269-30S	3051269-30S	3051269-30S	Purge Valve Tubing to Drain
17	9051541-01	9051541-01	9051541-01	9051541-01	9051541-01	Purge Valve Tube to Inlet Outlet Bracket
18	9051739-01	9051739-01	9051739-01	9051739-01	9051739-01	Inlet Outlet Bracket
19		1051223-03	1051223-03	1051223-03	1051223-03	Evaporator-FULL Cube = 7/8 x 7/8 x 7/8
19		1051223-04	1051223-04	1051223-04	1051223-04	Evaporator-HALF Cube = 3/8 x 7/8 x 7/8
20	9051270-36	9051270-36	9051270-36	9051270-36	9051270-36	Water Inlet Valve to Inlet Outlet Bracket Tube
21	1051223-01					Evaporator-FULL Cube = 7/8 x 7/8 x 7/8
21	1051223-02					Evaporator-HALF Cube = 3/8 x 7/8 x 7/8
	115/60/1	115/60/1	208-230/60/1	115/60/1	208-230/60/1	← Machine Voltage

The Model Number of the machine has a designator for the Cube Size

Example: CIM0430**FA** F = Full Cube Cube Size = 7/8 x 7/8 x 7/8
 CIM0430**HA** H = Half Cube Cube Size = 3/8 x 7/8 x 7/8

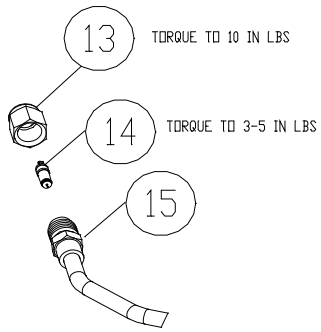
Item No.	Model Number 220-240/50/1					Description
	CIM0335		CIM0435	CIM0535	CIM0635	
1	9051736-01	9051736-01	9051736-01	9051736-01	9051736-01	Lower Curtain Assembly From SN 1803
	1051225-02	1051225-02	1051225-02	1051225-02	1051225-02	Lower Curtain Assembly From SN 1801 to 1802
	1051225-01	1051225-01	1051225-01	1051225-01	1051225-01	Lower Curtain Assembly From SN 1710 to 1712
2	9051726-01		9051726-02	9051726-02	9051726-02	Evaporator Cover
3	9021010-05		9021010-05	9021010-05	9021010-05	Hose Clamp, Plastic
4	9051766-01		9051766-01	9051766-01	9051766-01	Water Distribution Tube Assembly
5	9051749-01		9051749-02	9051749-02	9051749-02	Water Tube, Upper
6	9091177-01		9091177-01	9091177-01	9091177-01	Coupler, Straight, 5/8 I.D. Tubing
7	9051748-01		9051748-01	9051748-01	9051748-01	Water Tube, Sump
8	9051737-01		9051737-01	9051737-01	9051737-01	Sump/Water Trough
9	2062336-02S		2062336-02S	2062336-02S	2062336-02S	Water Pump
10	9041105-05		9041105-05	9041105-05	9041105-05	Purge Valve
11	9051738-01		9051738-01	9051738-01	9051738-01	Top Cover
12	9041108-01		9041108-02	9041108-01	9041108-02	Water Inlet Valve
13	9091140-01		9091140-01	9091140-01	9091140-01	Drain Fitting
14	9021010-04		9021010-04	9021010-04	9021010-04	Hose Clamp, Plastic
15	1051224-01		1051224-01	1051224-01	1051224-01	Float Switch Assembly (Includes Instructions)
16	3051269-30S		3051269-30S	3051269-30S	3051269-30S	Purge Valve Tubing to Drain
17	9051541-01		9051541-01	9051541-01	9051541-01	Purge Valve Tube to Inlet Outlet Bracket
18	9051739-01		9051739-01	9051739-01	9051739-01	Inlet Outlet Bracket
19			1051223-03	1051223-03	1051223-03	Evaporator-FULL Cube = 7/8 x 7/8 x 7/8
19			1051223-04	1051223-04	1051223-04	Evaporator-HALF Cube = 3/8 x 7/8 x 7/8
20	3051270-36		3051270-36	3051270-36	3051270-36	Water Inlet Valve to Inlet Outlet Bracket Tube
21	1051223-01					Evaporator-FULL Cube = 7/8 x 7/8 x 7/8
21	1051223-02					Evaporator-HALF Cube = 3/8 x 7/8 x 7/8



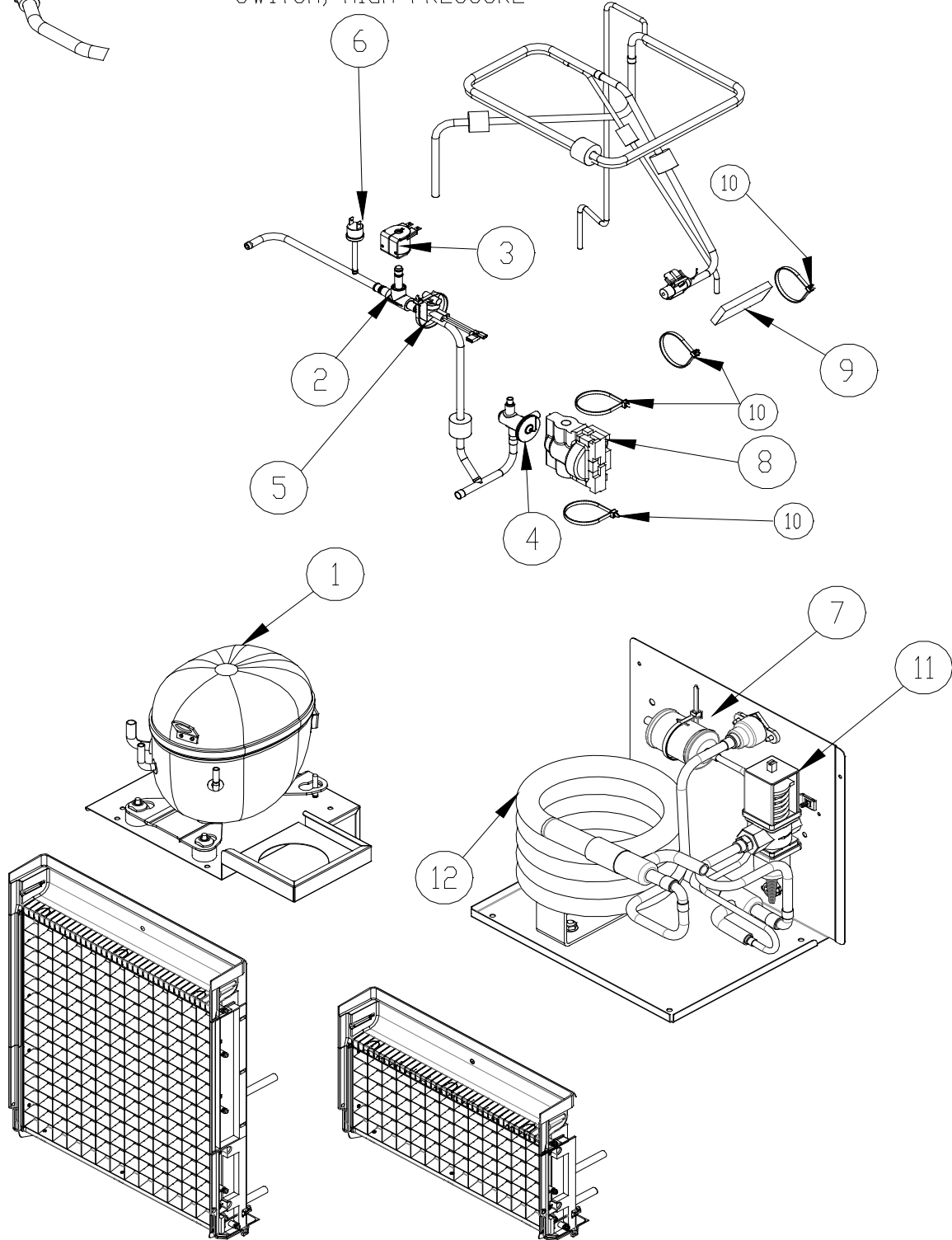
REFERENCE PAGE 4 AND 5 FOR EVAPORATOR

Item No.	Model Number					Description
	CIM0330A	CIM0430A	CIM0436A	CIM0530A	CIM0636A	
1	9181163-101	9181163-101	9181164-101	9181137-11B	9181145-11A	Compressor Kit
2	9151192-03	9151192-03	9151192-03	9151192-01	9151192-01	Hot Gas Valve Body
3	9151193-01	9151193-01	9151193-02	9151193-01	9151193-02	Hot Gas Valve Coil
4	9041106-01	9041106-01	9041106-01	9041106-01	9041106-01	Switch, Fan Cycle
5	9151154-101	9151149-101	9151149-101	9151149-101	9151149-101	TXV
6	9041098-02	9041098-02	9041098-02	9041098-02	9041098-02	High Temp Switch
7	9041111-01	9041111-01	9041111-01	9041111-01	9041111-01	Switch, High Pressure
8	9151163-01	9151163-01	9151163-01	9151163-01	9151163-01	Drier (Included in Compressor Kit)
9	9091179-01	9091179-01	9091179-01	9091179-01	Not Used	Restrictor
10	9131544-01	9131544-01	9131544-01	9131544-01	9131544-01	Insulation, TXV
11	9131143-07	9131143-07	9131143-07	9131143-07	9131143-07	Insulation, Bulb
12	9021021-01	9021021-01	9021021-01	9021021-01	9021021-01	Cable Tie-For TXV and Bulb Insulation
13	9161135-01	9161135-01	9161135-02	9161135-01	9161135-02	Fan Motor Assembly
14	3013639-01	3013639-01	3013639-01	3013639-01	3013639-01	Fan Shroud
15	9141152-01	9141152-01	9141152-01	9141152-01	9141152-01	Condenser
16	9091086-03	9091086-03	9091086-03	9091086-03	9091086-03	Service Valve Cap
17	9091086-02	9091086-02	9091086-02	9091086-02	9091086-02	Service Valve Core
18	9091086-01	9091086-01	9091086-01	9091086-01	9091086-01	Service Valve Stem
	115/60/1	115/60/1	208-230/60/1	115/60/1	208-230/60/1	← Machine Voltage
	CIM0330A	CIM0430A	CIM0436A	CIM0530A	CIM0636A	Starting Components (Included in Comp Kit)
	9181163-101	9181163-101	9181164-101	9181137-11B	9181145-11A	Compressor Kit
	9181003-50	9181003-50	9181003-26	9181003-50	9181003-52	Start Capacitor
	9181009-25	9181009-25	9181009-08	9181009-25	9181009-19	Run Capacitor
	9181010-33	9181010-33	9181010-27	9181010-14	9181010-27	Compressor Relay
	9181005-49	9181005-49	9181005-50	9181005-45	Internal	Overload

Item No.	Model Number 220-240/50/1					Description
	CIM0335A		CIM0435A	CIM0535A	CIM0635A	
1	9181165-101		9181138-11A	9181166-11	9181147-11	Compressor Kit
2	9151192-03		9151192-03	9151192-01	9151192-01	Hot Gas Valve Body
3	9151193-02		9151193-02	9151193-02	9151193-02	Hot Gas Valve Coil
4	9041106-01		9041106-01	9041106-01	9041106-01	Switch, Fan Cycle
5	9151154-101		9151149-101	9151149-101	9151149-101	TXV
6	9041098-02		9041098-02	9041098-02	9041098-02	High Temp Switch
7	9041111-01		9041111-01	9041111-01	9041111-01	Switch, High Pressure
8	9151163-01		9151163-01	9151163-01	9151163-01	Drier (Included in Compressor Kit)
9	9091179-01		9091179-01	9091179-01	Not Used	Restrictor
10	9131544-01		9131544-01	9131544-01	9131544-01	Insulation, TXV
11	9131143-07		9131143-07	9131143-07	9131143-07	Insulation, Bulb
12	9021021-01		9021021-01	9021021-01	9021021-01	Cable Tie-For TXV and Bulb Insulation
13	9161135-02		9161135-02	9161135-02	9161135-02	Fan Motor Assembly
14	3013639-01		3013639-01	3013639-01	3013639-01	Fan Shroud
15	9141152-01		9141152-01	9141152-01	9141152-01	Condenser
16	9091086-03		9091086-03	9091086-03	9091086-03	Service Valve Cap
17	9091086-02		9091086-02	9091086-02	9091086-02	Service Valve Core
18	9091086-01		9091086-01	9091086-01	9091086-01	Service Valve Stem
	CIM0335A		CIM0435A	CIM0535A	CIM0635A	← Machine Voltage
	9181165-101		9181138-11A	9181166-11	9181147-11	Starting Components (Included in Comp Kit)
	9181003-54		9181003-32	9181003-32	9181003-54	Compressor Kit
	9181009-26		9181009-26	9181009-28	9181009-17	Start Capacitor
	9181010-27		9181010-32	9181010-34	9181010-01	Run Capacitor
	9181005-50		9181005-46	9181005-51	Internal	Compressor Relay
						Overload



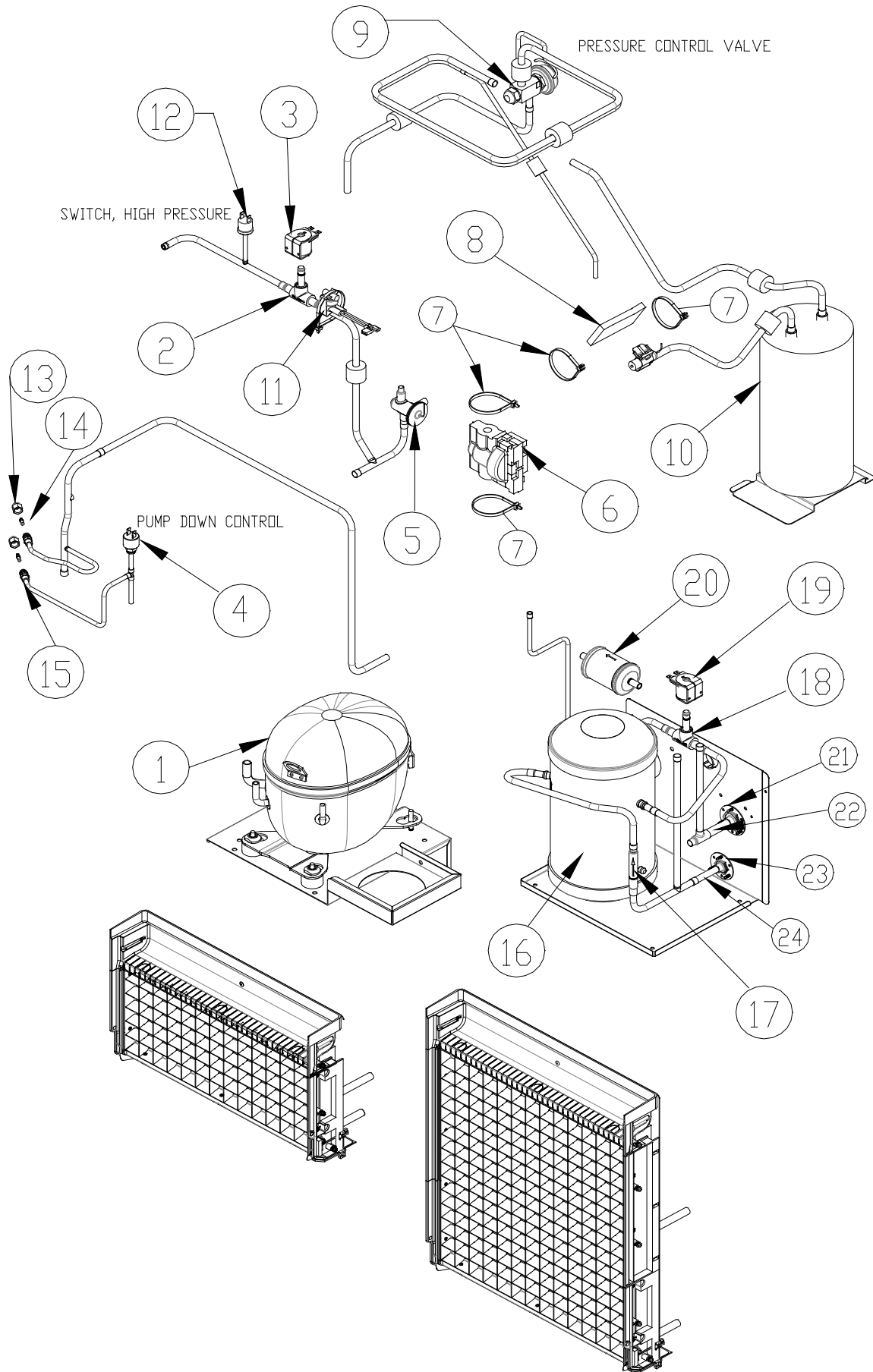
SWITCH, HIGH PRESSURE



REFERENCE PAGE 4 AND 5 FOR EVAPORATOR

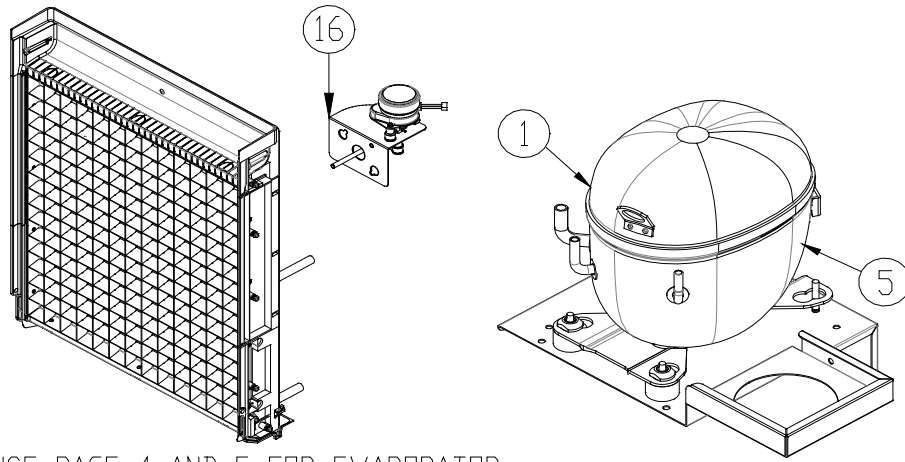
Item No.	Model Number					Description
	CIM0330W	CIM0430W	CIM0436W	CIM0530W	CIM0636W	
1	9181163-101	9181163-101	9181164-101	9181137-11B	9181145-11A	Compressor Kit
2	9151192-03	9151192-03	9151192-03	9151192-03	9151192-03	Hot Gas Valve Body
3	9151193-01	9151193-01	9151193-02	9151193-01	9151193-02	Hot Gas Valve Coil
4	9151154-101	9151149-101	9151149-101	9151149-101	9151149-101	TXV
5	9041098-02	9041098-02	9041098-02	9041098-02	9041098-02	High Temp Switch
6	9041111-01	9041111-01	9041111-01	9041111-01	9041111-01	Switch, High Pressure
7	9151163-01	9151163-01	9151163-01	9151163-01	9151163-01	Drier (Included in Compressor Kit)
8	9131544-01	9131544-01	9131544-01	9131544-01	9131544-01	Insulation, TXV
9	9131143-07	9131143-07	9131143-07	9131143-07	9131143-07	Insulation, Bulb
10	9021021-01	9021021-01	9021021-01	9021021-01	9021021-01	Cable Tie-For TXV and Bulb Insulation
11	9051104-01	9051104-01	9051104-01	9051104-01	9051104-01	Water Regulator
12	9141156-01	9141156-01	9141156-01	9141156-01	9141156-01	Condenser
13	9091086-03	9091086-03	9091086-03	9091086-03	9091086-03	Service Valve Cap
14	9091086-02	9091086-02	9091086-02	9091086-02	9091086-02	Service Valve Core
15	9091086-01	9091086-01	9091086-01	9091086-01	9091086-01	Service Valve Stem
	115/60/1	115/60/1	208-230/60/1	115/60/1	208-230/60/1	← Machine Voltage
	CIM0330A	CIM0430A	CIM0436A	CIM0530A	CIM0636A	Starting Components (Included in Comp Kit)
	9181163-101	9181163-101	9181164-101	9181137-11B	9181145-11A	Compressor Kit
	9181003-50	9181003-50	9181003-26	9181003-50	9181003-52	Start Capacitor
	9181009-25	9181009-25	9181009-08	9181009-25	9181009-19	Run Capacitor
	9181010-33	9181010-33	9181010-27	9181010-14	9181010-27	Compressor Relay
	9181005-49	9181005-49	9181005-50	9181005-45	Internal	Overload

Item No.	Model Number 220-240/50/1				Description	← Machine Voltage
1				CIM0535W	CIM0635W	Compressor Kit
2				9151192-03	9151192-03	Hot Gas Valve Body
3				9151193-02	9151193-02	Hot Gas Valve Coil
4				9151149-101	9151149-101	TXV
5				9041098-02	9041098-02	High Temp Switch
6				9041111-01	9041111-01	Switch, High Pressure
7				9151163-01	9151163-01	Drier (Included in Compressor Kit)
8				9131544-01	9131544-01	Insulation, TXV
9				9131143-07	9131143-07	Insulation, Bulb
10				9021021-01	9021021-01	Cable Tie-For TXV and Bulb Insulation
11				9051104-01	9051104-01	Water Regulator
12				9141156-01	9141156-01	Condenser
13				9091086-03	9091086-03	Service Valve Cap
14				9091086-02	9091086-02	Service Valve Core
15				9091086-01	9091086-01	Service Valve Stem
				CIM0535A	CIM0635A	Starting Components (Included in Comp Kit)
				9181166-11	9181147-11	Compressor Kit
				9181003-32	9181003-54	Start Capacitor
				9181009-28	9181009-17	Run Capacitor
				9181010-34	9181010-01	Compressor Relay
				9181005-51	Internal	Overload

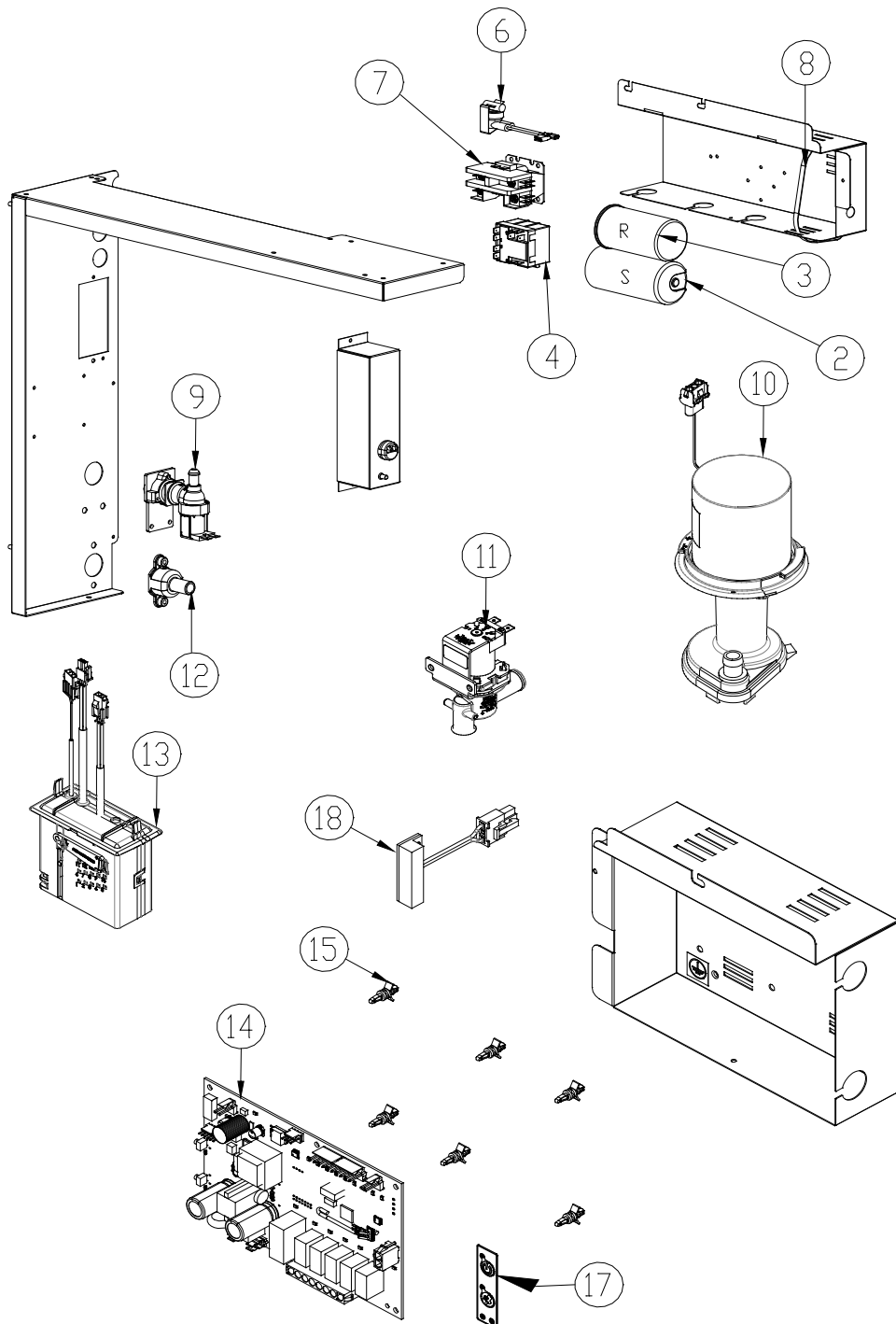


REFERENCE PAGE 4 AND 5 FOR EVAPORATOR

Item No.	Model Number			Description
	CIM0530R	CIM0535R	CIM0636R	
1	9181137-11B	9181166-11	9181145-11A	Compressor Kit
2	9151192-01	9151192-01	9151192-01	Hot Gas Valve Body
3	9151193-01	9151193-02	9151193-02	Hot Gas Valve Coil
4	9041092-02	9041092-02	9041092-02	Pump Down Control
5	9151149-101	9151149-101	9151149-101	TXV
6	9131544-01	9131544-01	9131544-01	Insulation, TXV
7	9021025-01	9021025-01	9021025-01	Cable Tie-For TXV and Bulb Insulation
8	9131143-07	9131143-07	9131143-07	Insulation, TXV Bulb
9	9151146-01	9151146-01	Not Used	Pressure Control Valve
10	9151071-01	9151071-01	Not Used	Accumulator
11	9041098-02	9041098-02	9041098-02	High Temp Switch
12	9041111-01	9041111-01	9041111-01	Switch, High Pressure
13	9091086-03	9091086-03	9091086-03	Service Valve Cap
14	9091086-02	9091086-02	9091086-02	Service Valve Core
15	9091086-01	9091086-01	9091086-01	Service Valve Stem
16	9151074-01	9151074-01	9151074-01	Receiver
17	9151139-01	9151139-01	9151139-01	Check Valve
18	9151192-02	9151192-02	9151192-02	Liquid Line Solenoid
19	9151193-01	9151193-02	9151193-02	Liquid Line Coil
20	9151163-03	9151163-03	9151163-03	Drier (Included in Compressor Kit)
21	9091001-09	9091001-09	9091001-09	1/2 Inch Coupling Flange (Large)
22	9091001-12	9091001-12	9091001-12	1/2 Inch Coupling (Large)
23	9091001-03	9091001-03	9091001-03	3/8 Inch Coupling Flange (Small)
24	9091001-11	9091001-11	9091001-11	3/8 Inch Coupling (Small)
	CIM0530R	CIM0535A	CIM0636R	Starting Components (Included in Comp Kit)
	9181137-11B	9181166-11	9181145-11A	Compressor Kit
	9181003-50	9181003-32	9181003-52	Start Capacitor
	9181009-25	9181009-28	9181009-19	Run Capacitor
	9181010-14	9181010-34	9181010-27	Potential Relay
	9181005-45	9181005-51	Internal	Overload
	115/60/1	220-240/50/1	208-230/60/1	← Machine Voltage



REFERENCE PAGE 4 AND 5 FOR EVAPORATOR



Item No.	Model Number					Description
	CIM0330A	CIM0430A	CIM0436A	CIM0530A	CIM0636A	
1	9181163-101	9181163-101	9181164-101	9181137-11B	9181145-11A	Compressor
2	9181003-50	9181003-50	9181003-26	9181003-50	9181003-52	Start Capacitor
3	9181009-25	9181009-25	9181009-08	9181009-25	9181009-19	Run Capacitor
4	9181010-33	9181010-33	9181010-27	9181010-14	9181010-27	Potential Relay
5	9181005-49	9181005-49	9181005-50	9181005-45	Internal	Overload
6	9041098-02	9041098-02	9041098-02	9041098-02	9041098-02	Switch, High Temp
7	9101002-07	9101002-07	9101002-06	9101002-07	9101002-06	Contactora
8	9021096-01	9021096-01	9021096-01	9021096-01	9021096-01	Cable Tie, Metal
9	9041108-01	9041108-01	9041108-02	9041108-01	9041108-02	Valve, Water Inlet
10	2062336-01	2062336-01	2062336-02	2062336-01	2062336-02	Water Pump
11	9041105-04	9041105-04	9041105-05	9041105-04	9041105-05	Purge Valve
12	9091140-01	9091140-01	9091140-01	9091140-01	9091140-01	Purge Drain
13	1051224-01	1051224-01	1051224-01	1051224-01	1051224-01	Float Switch Assembly (Includes Instructions)
14	9101368-02	9101368-02	9101368-02	9101368-02	9101368-02	Board Dual Voltage
15	9051698-01P	9051698-01P	9051698-01P	9051698-01P	9051698-01P	Plastic Standoff, Control Board (Pkg of 10)
16	9161134-01	9161134-01	9161134-02	9161134-01	9161134-02	Harvest Assist
17	9101394-01	9101394-01	9101394-01	9101394-01	9101394-01	Membrane Switch (ON-OFF) (Includes Cable)
18	9101379-01	9101379-01	9101379-01	9101379-01	9101379-01	Switch, Magnetic Reed (Bin Control On Evap)
	115/60/1	115/60/1	208-230/60/1	115/60/1	208-230/60/1	← Machine Voltage

Item No.	Model Number 220-240/50/1					← Machine Voltage
	CIM0335A		CIM0435A	CIM0535A	CIM0635A	
1	9181165-101		9181138-11A	9181166-11	9181147-11	Compressor Kit
2	9181003-54		9181003-32	9181003-32	9181003-54	Start Capacitor
3	9181009-26		9181009-26	9181009-28	9181009-17	Run Capacitor
4	9181010-27		9181010-32	9181010-34	9181010-01	Compressor Relay
5	9181005-50		9181005-46	9181005-51	Internal	Overload
6	9041098-02		9041098-02	9041098-02	9041098-02	Switch, High Temp
7	9101002-06		9101002-06	9101002-06	9101002-06	Contactora
8	9021096-01		9021096-01	9021096-01	9021096-01	Cable Tie, Metal
9	9041108-02		9041108-02	9041108-02	9041108-02	Valve, Water Inlet
10	2062336-02		2062336-02	2062336-02	2062336-02	Water Pump
11	9041105-05		9041105-05	9041105-05	9041105-05	Purge Valve
12	9091140-01		9091140-01	9091140-01	9091140-01	Purge Drain
13	1051224-01		1051224-01	1051224-01	1051224-01	Float Switch Assembly (Includes Instructions)
14	9101368-02		9101368-02	9101368-02	9101368-02	Board Dual Voltage
15	9051698-01P		9051698-01P	9051698-01P	9051698-01P	Plastic Standoff, Control Board (Pkg of 10)
16	9161134-02		9161134-02	9161134-02	9161134-02	Harvest Assist
17	9101394-01		9101394-01	9101394-01	9101394-01	Membrane Switch (ON-OFF) (Includes Cable)
18	9101379-01		9101379-01	9101379-01	9101379-01	Switch, Magnetic Reed (Bin Control On Evap)