

Ice-O-Matic

Ice. Pure and Simple™

**SERVICE PARTS MANUAL
CIM 22 INCH WIDE SERIES
CIM0320, CIM326, CIM0520, CIM526
CIM0325 and CIM0525**



This parts list contains the service parts available for the following CIM Series.

CIM0320 115/60/1

CIM0325 220-240/50/1

CIM0326 208-230/60/1

CIM0520 115/60/1

CIM0525 220-240/50/1

CIM0526 208-230/60/1

Model Number Example

CIM0320HA

CIM = **C**uber **I**ce **M**achine

03 = 300 lb, in 24 hours capacity

2 = 22 inch wide cabinet

0 = 115 Volt, **5** = 220-240/50/1 **6** = 208-230/60/1 Volt

H = Half Cube Size, **F** = Full Cube Size

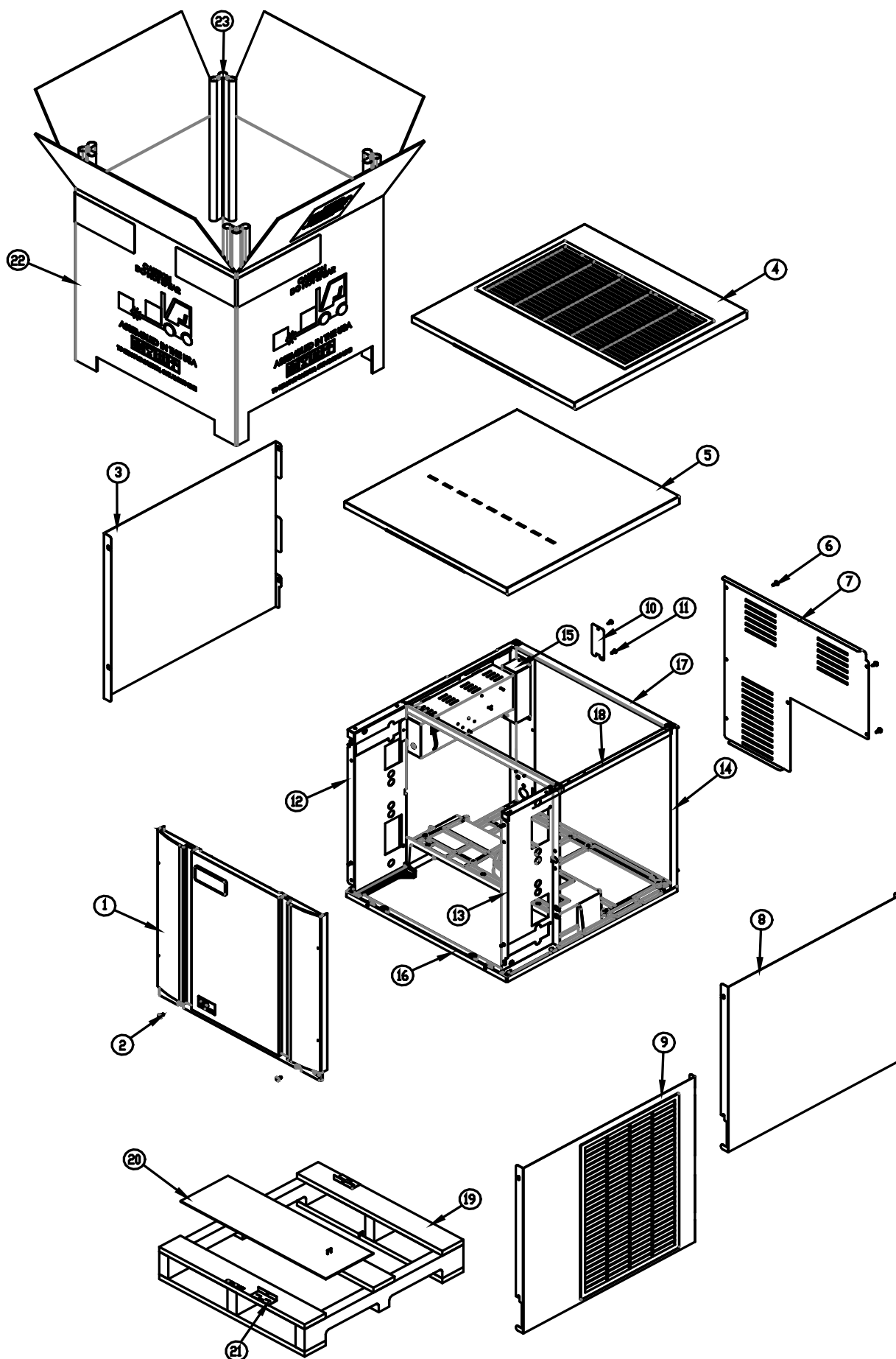
A = Air Cooled Condenser, **W** = Water Cooled Condenser

Check the model number on the data plate and refer to the correct listing for the specific component.

Check carefully that the correct part is identified and ordered.

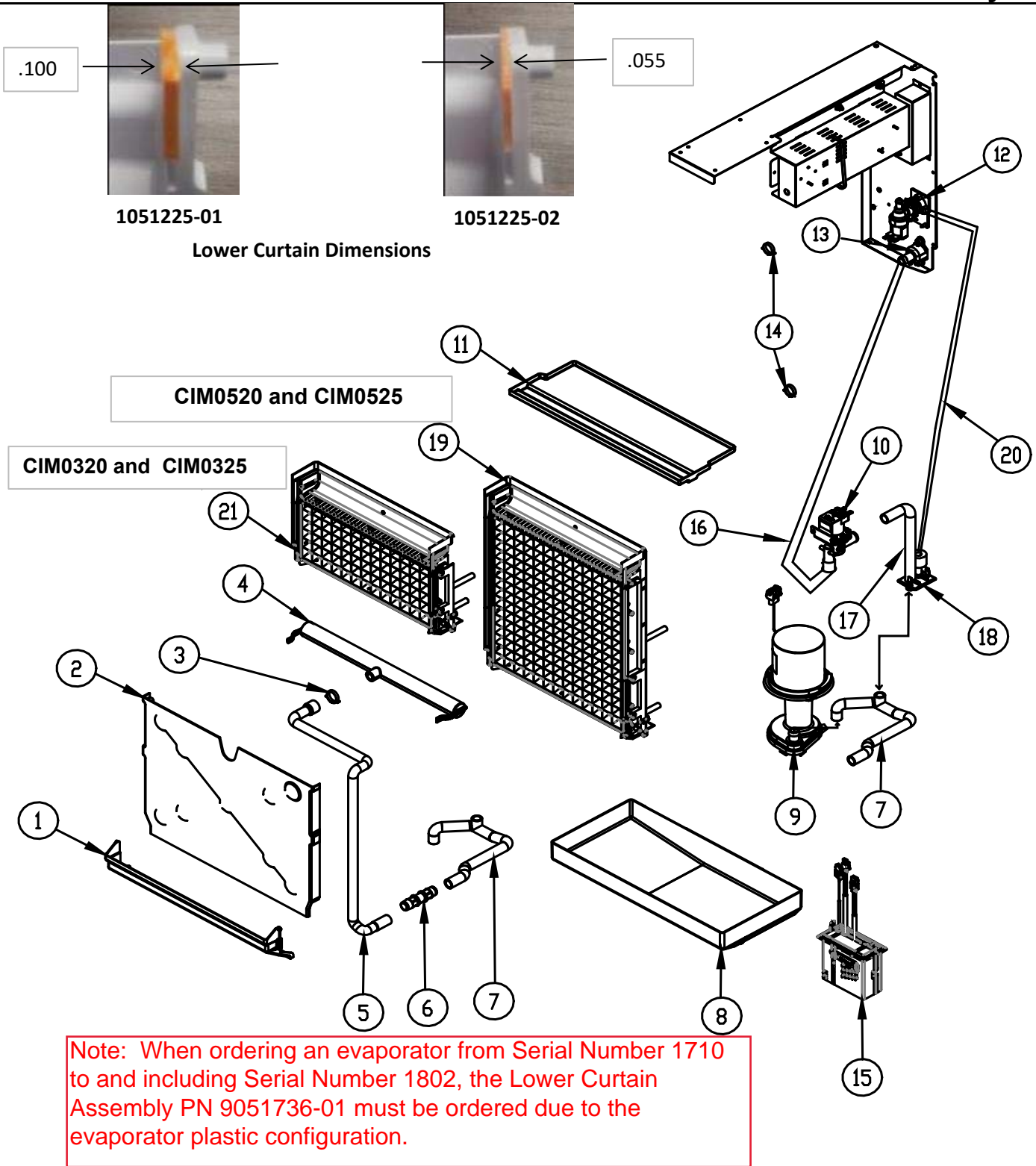
Table of Contents	Page 1
Cabinet	Page 2-3
Water System	Page 4-5
Air Cooled Condenser	Page 6-7
Water Cooled Condenser	Page 8-9
Electrical	Page 10-11

Ice-O-Matic
11100 East 45th Ave.
Denver Co. 80239
800-423-3367



Item No.	Model Number				Description	
	CIM0320	CIM0326		CIM0520		CIM0526
1	2031543-01S	2031543-01S		2031543-01S	2031543-01S	Front Panel
2	9031237-01P	9031237-01P		9031237-01P	9031237-01P	Front Panel Screws
3	3022007-02	3022007-02		3022007-02	3022007-02	Left Side Side Panel
4	2101496-01S	2101496-01S		2101496-01S	2101496-01S	Top Panel-Air Cooled
5	3022012-01	3022012-01		3022012-01	3022012-01	Top Panel- Water Cooled
6	9031046-01P	9031046-01P		9031046-01P	9031046-01P	Rear Cover Screws
7	3013634-01	3013634-01		3013634-01	3013634-01	Rear Cover
8	3022007-03	3022007-03		3022007-03	3022007-03	Right Side Panel-Water Cooled
9	2101495-01S	2101495-01S		2101495-01S	2101495-01S	Right Side Panel-Air Cooled
10	3013674-01	3013674-01		3013674-01	3013674-01	Junction Box Cover
11	9031046-01	9031046-01		9031046-01	9031046-01	Junction Box Screw
12	2021784-01	2021784-01		2021784-01	2021784-01	Front Left Brace
13	2021785-01	2021785-01		2021785-01	2021785-01	Front Right Brace
14	2021782-01	2021782-01		2021782-01	2021782-01	Right Side Rear Corner
15	2101494-01	2101494-01		2101494-01	2101494-01	Junction Box
16	9051725-01	9051725-01		9051725-01	9051725-01	Base
17	3013636-01	3013636-01		3013636-01	3013636-01	Rear Brace
18	3013691-01	3013691-01		3013691-01	3013691-01	Top Right Framework
19	9011369-03	9011369-03		9011369-03	9011369-03	Elevation Skid 22 Inch
20	9011378-02	9011378-02		9011378-02	9011378-02	Carton Liner 22 Inch
21	9051765-01	9051765-01		9051765-01	9051765-01	Shipping Bracket 2 Req. (Field Installed)
22	9011374-01	9011374-01		9011374-01	9011374-01	Carton, Elevation 22 Inch
23	9011320-15	9011320-15		9011320-15	9011320-15	Corner Post (Each), Elevation, (4 Required)
	9031026-04P	9031026-04P		9031026-04P	9031026-04P	Pop Rivets Not Shown (Package of 10)
	115/60/1	208-230/60/1		115/60/1	208-230/60/1	← Voltage

Item No.	Model Number				Description
	CIM0325			CIM0525	
1	2031543-01S			2031543-01S	Front Panel
2	9031237-01P			9031237-01P	Front Panel Screws
3	3022007-02			3022007-02	Left Side Side Panel
4	2101496-01S			2101496-01S	Top Panel-Air Cooled
5	3022012-01			3022012-01	Top Panel- Water Cooled
6	9031046-01P			9031046-01P	Rear Cover Screws
7	3013634-01			3013634-01	Rear Cover
8	3022007-03			3022007-03	Right Side Panel-Water Cooled
9	2101495-01S			2101495-01S	Right Side Panel-Air Cooled
10	3013674-01			3013674-01	Junction Box Cover
11	9031046-01			9031046-01	Junction Box Screw
12	2021784-01			2021784-01	Front Left Brace
13	2021785-01			2021785-01	Front Right Brace
14	2021782-01			2021782-01	Right Side Rear Corner
15	2101494-02			2101494-02	Junction Box
16	9051725-01			9051725-01	Base
17	3013636-01			3013636-01	Rear Brace
18	3013691-01			3013691-01	Top Right Framework
19	9011369-03			9011369-03	Elevation Skid 22 Inch
20	9011378-02			9011378-02	Carton Liner 22 Inch
21	9051765-01			9051765-01	Shipping Bracket 2 Req. (Field Installed)
22	9011374-01			9011374-01	Carton, Elevation 22 Inch
23	9011320-15			9011320-15	Corner Post (Each), Elevation, (4 Required)
24	9031026-04P			9031026-04P	Pop Rivets Not Shown (Package of 10)
	220-240/50/1			220-240/50/1	← Voltage



The Model Number of the machine has a designator for the Cube Size

Example: **CIM0320FA** **F = Full Cube**

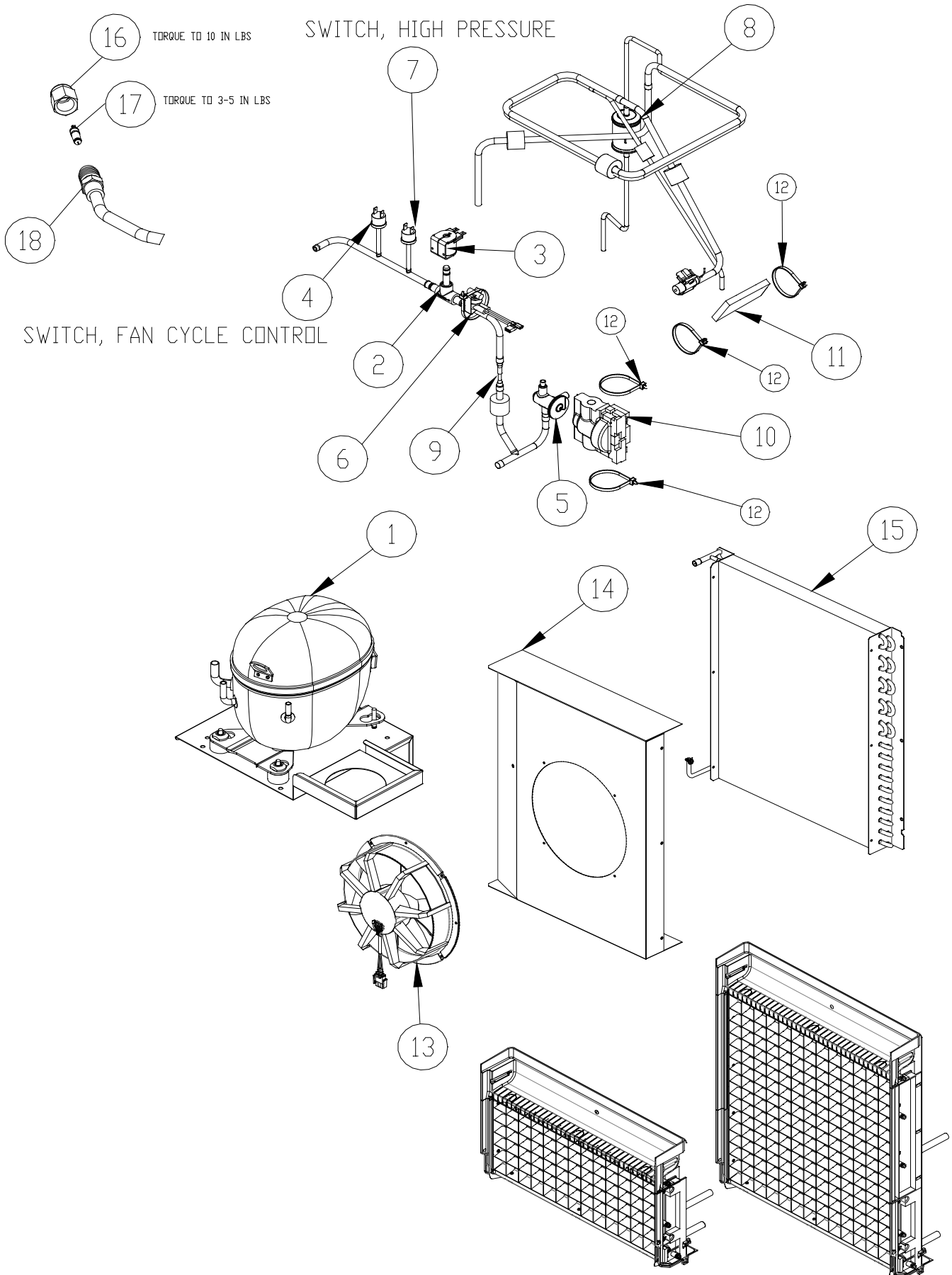
CIM0320HA **H = Half Cube**

Important-Check the CIM Model Number and Serial Number when ordering the Lower Curtain

Item No.	Model Number				Description
	CIM0320	CIM0326	CIM0520	CIM0526	
1	9051736-01	9051736-01	9051736-01	9051736-01	Lower Curtain Assembly From SN 1803
1	1051225-02	1051225-02	1051225-02	1051225-02	Lower Curtain Assembly From SN 1801 to 1802
1	1051225-01	1051225-01	1051225-01	1051225-01	Lower Curtain Assembly From SN 1710 to1712
2	9051726-01	9051726-01	9051726-02	9051726-02	Evaporator Cover
3	9021010-05	9021010-05	9021010-05	9021010-05	Hose Clamp, Plastic
4	9051766-01	9051766-01	9051766-01	9051766-01	Water Distribution Tube Assembly
5	9051749-01	9051749-01	9051749-02	9051749-02	Water Tube, Upper
6	9091177-01	9091177-01	9091177-01	9091177-01	Coupler, Straight, 5/8 I.D. Tubing
7	9051748-01	9051748-01	9051748-01	9051748-01	Water Tube, Sump
8	9051737-01	9051737-01	9051737-01	9051737-01	Sump/Water Trough
9	2062336-01S	2062336-02S	2062336-01S	2062336-02S	Water Pump
10	9041105-04	9041105-05	9041105-04	9041105-05	Purge Valve
11	9051738-01	9051738-01	9051738-01	9051738-01	Top Cover
12	9041108-01	9041108-02	9041108-01	9041108-02	Water Inlet Valve
13	9091140-01	9091140-01	9091140-01	9091140-01	Drain Fitting
14	9021010-04	9021010-04	9021010-04	9021010-04	Hose Clamp, Plastic
15	1051224-01	1051224-01	1051224-01	1051224-01	Float Switch Assembly (Includes Instructions)
16	3051269-30S	3051269-30S	3051269-30S	3051269-30S	Purge Valve Tubing to Drain
17	9051541-01	9051541-01	9051541-01	9051541-01	Purge Valve Tube to Inlet Outlet Bracket
18	9051739-01	9051739-01	9051739-01	9051739-01	Inlet Outlet Bracket
19			1051223-03	1051223-03	Evaporator-FULL Cube = 7/8 x 7/8 x 7/8
19			1051223-04	1051223-04	Evaporator-HALF Cube = 3/8 x 7/8 x 7/8
20	9051270-36	9051270-36	9051270-36	9051270-36	Water Inlet Valve to Inlet Outlet Bracket Tube
21	1051223-01	1051223-01			Evaporator-FULL Cube = 7/8 x 7/8 x 7/8
21	1051223-02	1051223-02			Evaporator-HALF Cube = 3/8 x 7/8 x 7/8
	115/60/1	208-230/60/1	115/60/1	208-230/60/1	← Machine Voltage

Example: CIM0320**FA** **F = Full Cube** **Cube Size = 7/8 x 7/8 x 7/8**
 CIM0320**HA** **H = Half Cube** **Cube Size = 3/8 x 7/8 x 7/8**

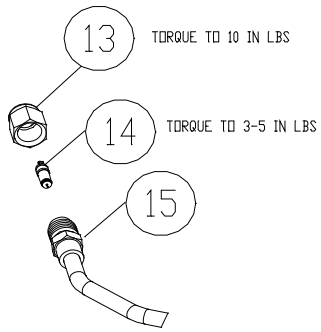
Item No.	Model Number 220-240/50/1				Description
	CIM0325			CIM0525	
1	9051736-01			9051736-01	Lower Curtain Assembly From SN 1803
1	1051225-02			1051225-02	Lower Curtain Assembly From SN 1801 to 1802
1	1051225-01			1051225-01	Lower Curtain Assembly From SN 1710 to1712
2	9051726-01			9051726-02	Evaporator Cover
3	9021010-05			9021010-05	Hose Clamp, Plastic
4	9051766-01			9051766-01	Water Distribution Tube Assembly
5	9051749-01			9051749-02	Water Tube, Upper
6	9091177-01			9091177-01	Coupler, Straight, 5/8 I.D. Tubing
7	9051748-01			9051748-01	Water Tube, Sump
8	9051737-01			9051737-01	Sump/Water Trough
9	2062336-02S			2062336-02S	Water Pump
10	9041105-05			9041105-05	Purge Valve
11	9051738-01			9051738-01	Top Cover
12	9041108-01			9041108-02	Water Inlet Valve
13	9091140-01			9091140-01	Drain Fitting
14	9021010-04			9021010-04	Hose Clamp, Plastic
15	1051224-01			1051224-01	Float Switch Assembly (Includes Instructions)
16	3051269-30S			3051269-30S	Purge Valve Tubing to Drain
17	9051541-01			9051541-01	Purge Valve Tube to Inlet Outlet Bracket
18	9051739-01			9051739-01	Inlet Outlet Bracket
19				1051223-03	Evaporator-FULL Cube = 7/8 x 7/8 x 7/8
19				1051223-04	Evaporator-HALF Cube = 3/8 x 7/8 x 7/8
20	9051270-36			9051270-36	Water Inlet Valve to Inlet Outlet Bracket Tube
21	1051223-01				Evaporator-FULL Cube = 7/8 x 7/8 x 7/8
21	1051223-02				Evaporator-HALF Cube = 3/8 x 7/8 x 7/8



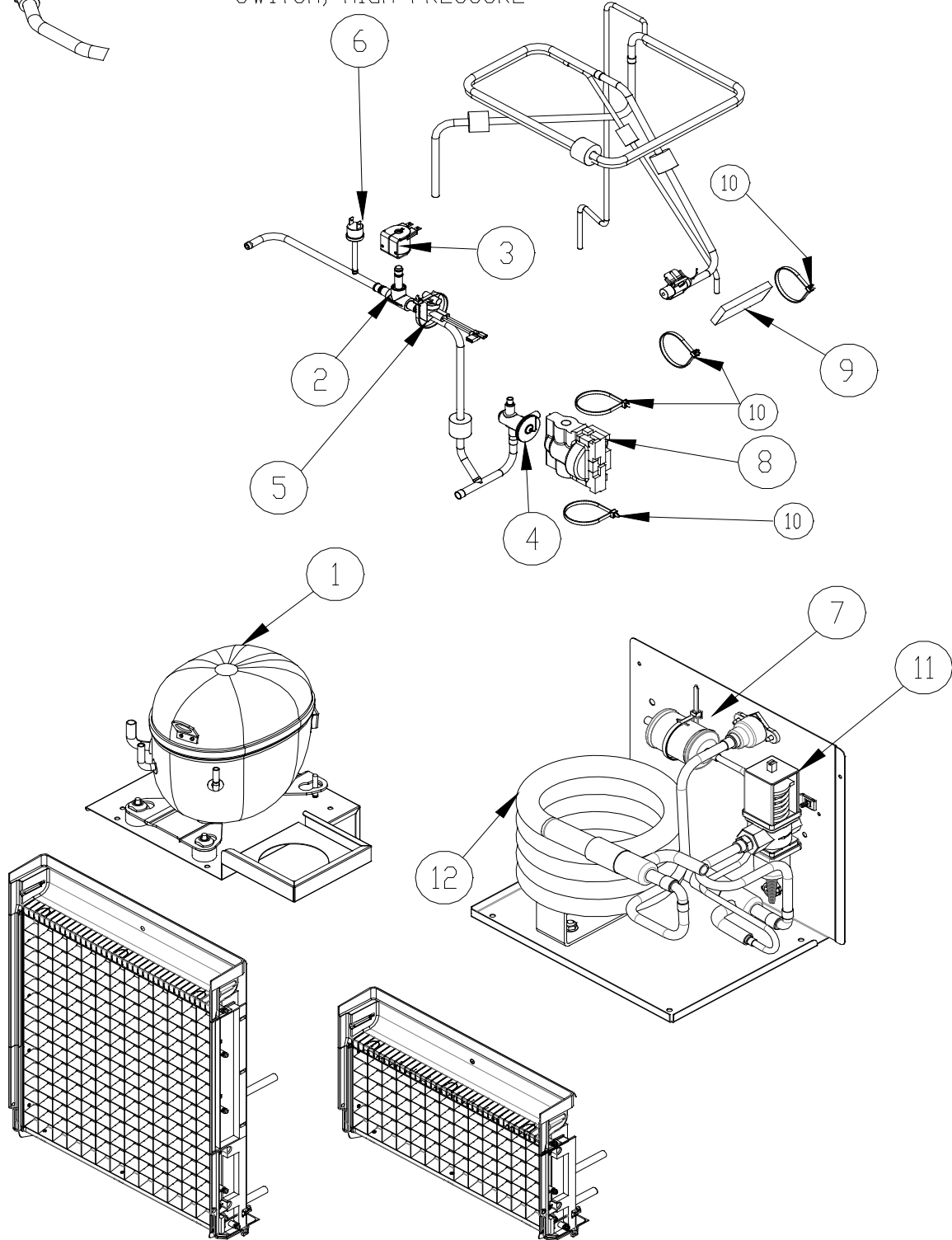
REFERENCE PAGE 4 AND 5 FOR EVAPORATOR

Item No.	Model Number				Description	
	CIM0320A	CIM0326A		CIM0520A		CIM0526A
1	9181163-101	9181164-101		9181137-11B	9181138-11A	Compressor Kit
2	9151192-03	9151192-03		9151192-01	9151192-01	Hot Gas Valve Body
3	9151193-01	9151193-02		9151193-01	9151193-02	Hot Gas Valve Coil
4	9041106-01	9041106-01		9041106-01	9041106-01	Switch, Fan Cycle
5	9151154-101	9151149-101		9151149-101	9151149-101	TXV
6	9041098-02	9041098-02		9041098-02	9041098-02	High Temp Switch
7	9041111-01	9041111-01		9041111-01	9041111-01	Switch, High Pressure
8	9151163-01	9151163-01		9151163-01	9151163-01	Drier (Included in Compressor Kit)
9	9091179-01	9091179-01		9091179-01	Not Used	Restrictor
10	9131544-01	9131544-01		9131544-01	9131544-01	Insulation, TXV
11	9131143-07	9131143-07		9131143-07	9131143-07	Insulation, Bulb
12	9021021-01	9021021-01		9021021-01	9021021-01	Cable Tie-For TXV and Bulb Insulation
13	9161135-01	9161135-02		9161135-01	9161135-02	Fan Motor Assembly
14	3013639-01	3013639-01		3013639-01	3013639-01	Fan Shroud
15	9141152-01	9141152-01		9141152-01	9141152-01	Condenser
16	9091086-03	9091086-03		9091086-03	9091086-03	Service Valve Cap
17	9091086-02	9091086-02		9091086-02	9091086-02	Service Valve Core
18	9091086-01	9091086-01		9091086-01	9091086-01	Service Valve Stem
	115/60/1	208-230/60/1		115/60/1	208-230/60/1	← Machine Voltage
	CIM0330A	CIM0326A		CIM0520A	CIM0526A	Starting Components (Included in Comp Kit)
	9181163-101	9181164-101		9181137-11B	9181138-11A	Compressor Kit
	9181003-50	9181003-26		9181003-50	9181003-32	Start Capacitor
	9181009-25	9181009-08		9181009-25	9181009-26	Run Capacitor
	9181010-33	9181010-27		9181010-14	9181010-32	Compressor Relay
	9181005-49	9181005-50		9181005-45	9181005-46	Overload

Item No.	Model Number 220-240/50/1				Description	← Machine Voltage
	CIM0325A			CIM0525A		
1	9181165-101			9181166-11	Compressor Kit	
2	9151192-03			9151192-01	Hot Gas Valve Body	
3	9151193-02			9151193-02	Hot Gas Valve Coil	
4	9041106-01			9041106-01	Switch, Fan Cycle	
5	9151154-101			9151149-101	TXV	
6	9041098-02			9041098-02	High Temp Switch	
7	9041111-01			9041111-01	Switch, High Pressure	
8	9151163-01			9151163-01	Drier (Included in Compressor Kit)	
9	9091179-01			9091179-01	Restrictor	
10	9131544-01			9131544-01	Insulation, TXV	
11	9131143-07			9131143-07	Insulation, Bulb	
12	9021021-01			9021021-01	Cable Tie-For TXV and Bulb Insulation	
13	9161135-02			9161135-02	Fan Motor Assembly	
14	3013639-01			3013639-01	Fan Shroud	
15	9141152-01			9141152-01	Condenser	
16	9091086-03			9091086-03	Service Valve Cap	
17	9091086-02			9091086-02	Service Valve Core	
18	9091086-01			9091086-01	Service Valve Stem	
	CIM0325A			CIM0525A	Starting Components (Included in Comp Kit)	
	9181165-101			9181166-11	Compressor Kit	
	9181003-54			9181003-32	Start Capacitor	
	9181009-26			9181009-28	Run Capacitor	
	9181010-27			9181010-34	Compressor Relay	
	9181005-50			9181005-51	Overload	



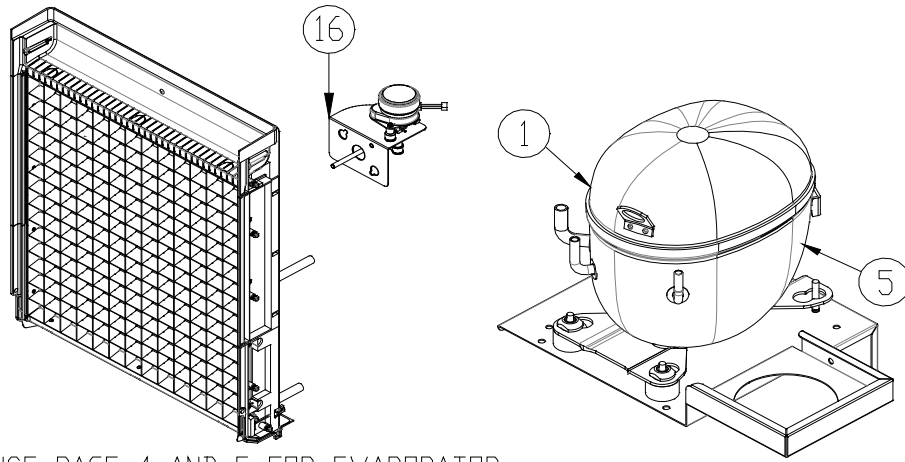
SWITCH, HIGH PRESSURE



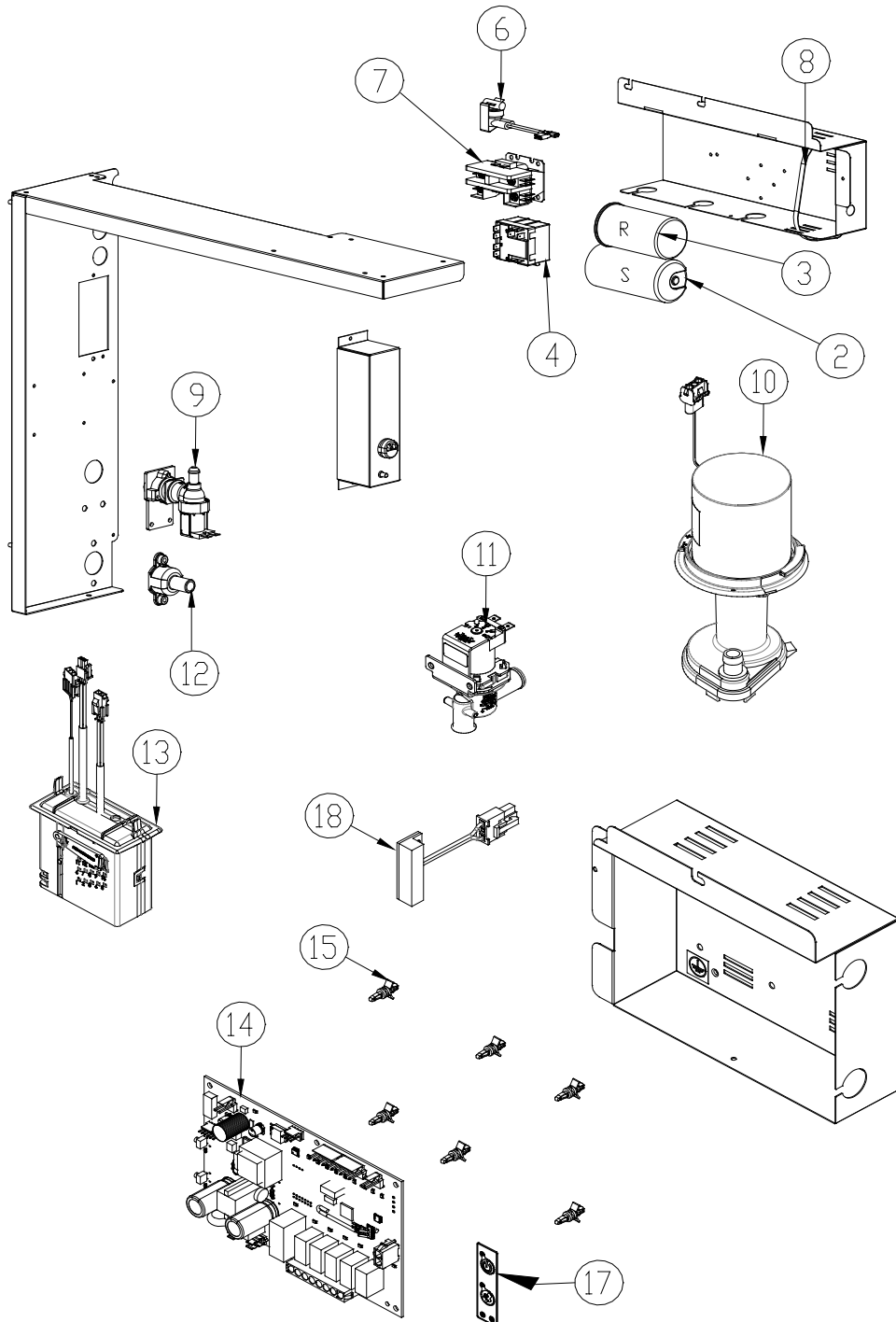
REFERENCE PAGE 4 AND 5 FOR EVAPORATOR

Item No.	Model Number				Description
	CIM0320W	CIM0326W		CIM0520W	
1	9181163-101	9181164-101		9181137-11B	Compressor Kit
2	9151192-03	9151192-03		9151192-03	Hot Gas Valve Body
3	9151193-01	9151193-02		9151193-01	Hot Gas Valve Coil
4	9151154-101	9151149-101		9151149-101	TXV
5	9041098-02	9041098-02		9041098-02	High Temp Switch
6	9041111-01	9041111-01		9041111-01	Switch, High Pressure
7	9151163-01	9151163-01		9151163-01	Drier (Included in Compressor Kit)
8	9131544-01	9131544-01		9131544-01	Insulation, TXV
9	9131143-07	9131143-07		9131143-07	Insulation, Bulb
10	9021021-01	9021021-01		9021021-01	Cable Tie-For TXV and Bulb Insulation
11	9051104-01	9051104-01		9051104-01	Water Regulator
12	9141156-01	9141156-01		9141156-01	Condenser
13	9091086-03	9091086-03		9091086-03	Service Valve Cap
14	9091086-02	9091086-02		9091086-02	Service Valve Core
15	9091086-01	9091086-01		9091086-01	Service Valve Stem
	115/60/1	208-230/60/1		115/60/1	← Machine Voltage
	CIM0320W	CIM0326W		CIM0520W	Starting Components (Included in Comp Kit)
	9181163-101	9181164-101		9181137-11B	Compressor Kit
	9181003-50	9181003-26		9181003-50	Start Capacitor
	9181009-25	9181009-08		9181009-25	Run Capacitor
	9181010-33	9181010-27		9181010-14	Compressor Relay
	9181005-49	9181005-50		9181005-45	Overload

Item No.	Model Number 220-240/50/1				Description
	CIM0325W			CIM0535W	
1	9181165-11			9181166-11	Compressor Kit
2	9151192-03			9151192-03	Hot Gas Valve Body
3	9151193-02			9151193-02	Hot Gas Valve Coil
4	9151154-101			9151149-101	TXV
5	9041098-02			9041098-02	High Temp Switch
6	9041111-01			9041111-01	Switch, High Pressure
7	9151163-01			9151163-01	Drier (Included in Compressor Kit)
8	9131544-01			9131544-01	Insulation, TXV
9	9131143-07			9131143-07	Insulation, Bulb
10	9021021-01			9021021-01	Cable Tie-For TXV and Bulb Insulation
11	9051104-01			9051104-01	Water Regulator
12	9141156-01			9141156-01	Condenser
13	9091086-03			9091086-03	Service Valve Cap
14	9091086-02			9091086-02	Service Valve Core
15	9091086-01			9091086-01	Service Valve Stem
				CIM0535W	Starting Components (Included in Comp Kit)
	9181165-101			9181166-11	Compressor Kit
	9181003-54			9181003-32	Start Capacitor
	9181009-26			9181009-28	Run Capacitor
	9181010-27			9181010-34	Compressor Relay
	9181005-50			9181005-51	Overload



REFERENCE PAGE 4 AND 5 FOR EVAPORATOR



Item No.	Model Number				Description
	CIM0320A/W	CIM0326A/W	CIM0520A/W	CIM0526A	
1	9181163-101	9181164-101	9181137-11B	9181138-11A	Compressor
2	9181003-50	9181003-26	9181003-50	9181003-32	Start Capacitor
3	9181009-25	9181009-08	9181009-25	9181009-26	Run Capacitor
4	9181010-33	9181010-27	9181010-14	9181010-32	Potential Relay
5	9181005-49	9181005-50	9181005-45	9181005-46	Overload
6	9041098-02	9041098-02	9041098-02	9041098-02	Switch, High Temp
7	9101002-07	9101002-06	9101002-07	9101002-06	Contact
8	9021096-01	9021096-01	9021096-01	9021096-01	Cable Tie, Metal
9	9041108-01	9041108-02	9041108-01	9041108-02	Valve, Water Inlet
10	2062336-01S	2062336-02S	2062336-01S	2062336-02S	Water Pump
11	9041105-04	9041105-05	9041105-04	9041105-05	Purge Valve
12	9091140-01	9091140-01	9091140-01	9091140-01	Purge Drain
13	1051224-01	1051224-01	1051224-01	1051224-01	Float Switch Assembly (Includes Instructions)
14	9101368-02	9101368-02	9101368-02	9101368-02	Board Dual Voltage
15	9051698-01P	9051698-01P	9051698-01P	9051698-01P	Plastic Standoff, Control Board (Pkg of 10)
16	9161134-01	9161134-02	9161134-01	9161134-02	Harvest Assist
17	9101394-01	9101394-01	9101394-01	9101394-01	Membrane Switch (Includes Cable)
18	9101379-01	9101379-01	9101379-01	9101379-01	Switch, Magnetic Reed (Bin Control On Evap)
	115/60/1	208-230/60/1	115/60/1	208-230/60/1	← Machine Voltage

Item No.	Model Number 220-240/50/1				Description
	CIM0325A		CIM0525A/W		
1	9181165-101		9181166-11		Compressor Kit
2	9181003-54		9181003-32		Start Capacitor
3	9181009-26		9181009-28		Run Capacitor
4	9181010-27		9181010-34		Compressor Relay
5	9181005-50		9181005-51		Overload
6	9041098-02		9041098-02		Switch, High Temp
7	9101002-06		9101002-06		Contact
8	9021096-01		9021096-01		Cable Tie, Metal
9	9041108-02		9041108-02		Valve, Water Inlet
10	2062336-02		2062336-02		Water Pump
11	9041105-05		9041105-05		Purge Valve
12	9091140-01		9091140-01		Purge Drain
13	1051224-01		1051224-01		Float Switch Assembly (Includes Instructions)
14	9101368-02		9101368-02		Board Dual Voltage
15	9051698-01P		9051698-01P		Plastic Standoff, Control Board (Pkg of 10)
16	9161134-02		9161134-02		Harvest Assist
17	9101394-01		9101394-01		Membrane Switch (Includes Cable)
18	9101379-01		9101379-01		Switch, Magnetic Reed (Bin Control On Evap)