



ELEVATION SERIES CUBE ICE MAKER

CIMO430/O436/O435



Model:

- CIMO430
- CIMO436
- CIMO435



CIMO430 ON B55

Features and Benefits

- 30" (768 mm) wide space-saving design.
- Produces up to 500 lbs (227 kg) of ice per day.
- **Energy and Environment**
 - Exceeds new 2018 DOE (Department of Energy) regulations.
 - Up to 20% more energy efficient than other models.
 - Environmentally friendly, including BPA-free plastic and recyclable parts.
- **Sanitation**
 - Plastic Food Zone eliminates hard-to-clean nooks and crannies, allowing for effortless wipe down and easy, long-lasting sanitation.
 - Built in Agion® ensures unbeatable antimicrobial protection.
 - Smart LED light indicates machine status and when cleaning is required.
 - Simple, one-touch controls for sanitization and descaling.
 - BPA-free snap-in, snap-out dishwasher-safe components.
- **Unique Dual Exhaust** - Air-cooled machines are designed to discharge hot air from both the side and top of the unit, increasing installation flexibility and reducing the potential of obstructed exhaust.
- **Universal Smart Harness™** control board simplifies installation and servicing with better access, digital diagnostics, universal components and common configuration.

CIMO430/O436/O435 CUBE ICE MAKER

Ice Form

| FULL CUBE DIMENSIONS | |
|----------------------|---|
| W x D x H (in.) | 7 ⁵ / ₈ x 7 ⁵ / ₈ x 7 ⁵ / ₈ |
| W x D x H (mm) | 22 x 22 x 22 |
| HALF CUBE DIMENSIONS | |
| W x D x H (in.) | 3 ⁵ / ₈ x 7 ⁵ / ₈ x 7 ⁵ / ₈ |
| W x D x H (mm) | 10 x 22 x 22 |



CUBE

Bin Chart Kits for Combining Wider Bins with Smaller Models

| | | ICE STORAGE BINS | | | | | | | | | | |
|------|---------|------------------|------------------|------------------|------------------|------------------|----------------------------------|------------------|--------------------|--------------------|--------------------|--------------------|
| | | Model No. | B25 | B40 | B42 | B55 | B700 | B110 | B1000 | B1300 | B1325 | B1660 |
| | | Capacity | 242 lbs (110 kg) | 344 lbs (156 kg) | 351 lbs (160 kg) | 510 lbs (232 kg) | 680 lbs (308 kg) | 854 lbs (388 kg) | 1,000 lbs (454 kg) | 1,320 lbs (599 kg) | 1,325 lbs (601 kg) | 1,660 lbs (753 kg) |
| | | Width | 30 in (762 mm) | 30 in (762 mm) | 22 in (559 mm) | 30 in (762 mm) | 30 in (762 mm) | 48 in (1,219 mm) | 48 in (1,219 mm) | 48 in (1,219 mm) | 60 in (1,524 mm) | 60 in (1,524 mm) |
| Kits | CIMO430 | | | | | | | | | | | |
| | CIMO436 | Kit Not Required | | N/A | Kit Not Required | BPF-1 | Hold Down Securement Recommended | | | | | |
| | CIMO435 | | | | | | | | | | | |

*See Ice-O-Matic Price List for Adapter Kits to combine ice makers with most available ice/beverage dispensers.

Options & Accessories

| WATER FILTERS | | |
|-------------------|----------|-------------|
| Ice Machine Model | Manifold | |
| | System | Replacement |
| CIMO430 | IFQ1 | IOMQ (I) |
| CIMO436 | | |
| CIMO435 | | |

Note: All modular cube CIM units can be installed with manufacturer approved ozone delivery systems.

Ice Maker Warranty

| COMMERCIAL WARRANTY | |
|--|-------------------------|
| Ice Maker | 3 YEARS parts and labor |
| Evaporator and Compressor | 5 YEARS parts |
| Evaporator (when enrolled in our filter program) | 7 YEARS parts and labor |



ELEVATION SERIES CUBE ICE MAKER

CIMO430/O436/O435



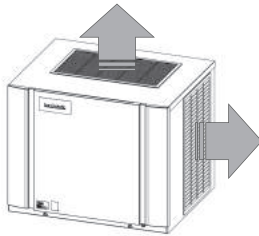
CIMO430/O436/O435 CUBE ICE MAKER

Air Cooled

Please note: air-cooled units require 6" (152 mm) clearance for air intake and exhaust.

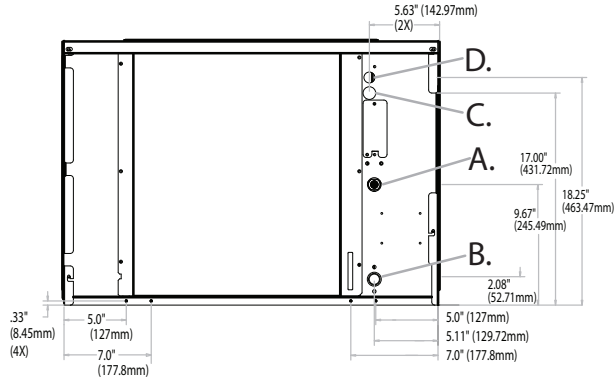
- A. Ice maker potable water in, 3/8" FPT.
- B. Ice maker water out, 3/4" FPT.
- C. Hole for electrical connections, 7/8".
- D. Electrical connection junction box, 7/8".

Dual Exhaust for Installation Flexibility

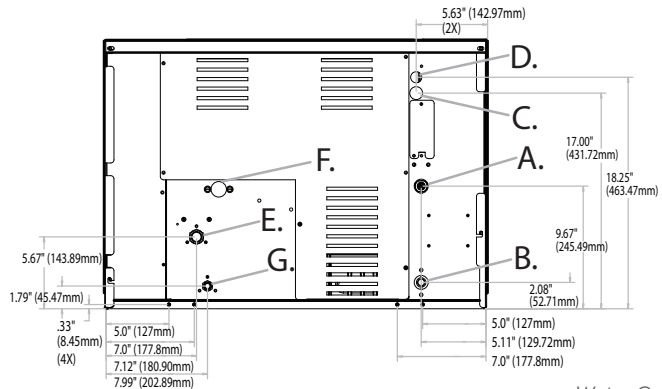


Water Cooled

- A. Ice maker potable water in, 3/8" FPT.
- B. Ice maker water out, 3/4" FPT.
- C. Hole for electrical connections, 7/8".
- D. Electrical connection junction box, 7/8".
- E. Condenser water in, 3/8" FPT.
- F. Condenser water out, 1/2" FPT.



Air Cooled



Water Cooled

Operating Requirements

| | MINIMUM | MAXIMUM | |
|-------------------------|-------------------|-------------------|--------------|
| | | 60 Hz | 50Hz |
| Ambient Temp. Range Air | 50°F (10°C) | 100°F (38°C) | 110°F (43°C) |
| Water Temp. | 40°F (4.4°C) | | |
| Water Pressure | 20 PSIG (1.4 BAR) | 80 PSIG (5.5 BAR) | |

Dimensions

| ALL MODELS | |
|-----------------|-----------------------|
| W x D x H (in.) | 30.25 x 24.25 x 21.25 |
| W x D x H (mm) | 768 x 616 x 540 |

Specifications

| Model Number | Cond. Unit | Half-Cube Ice Production per 24hrs | | Water Usage gallons per 100 lbs of Ice 90°F air/70°F water | | kWH Used per 100 lbs of ice @ 90°F air/70°F water | Voltage Characteristics | Min. Circuit Ampacity | Fuse Size | Approx. BTUs per hour |
|--------------|------------|------------------------------------|------------------------------|--|-----------|---|-------------------------|-----------------------|-----------|-----------------------|
| | | 70°F air/50°F water lbs (kg) | 90°F air/70°F water lbs (kg) | Potable | Condenser | | | | | |
| CIMO430A | Air | 435 (197) | 320 (145) | 19.8 | - | 5.43 | 115/60/1 | 11.0 | 15 | 5,100 |
| CIMO430W | Water | 460 (209) | 380 (172) | 17.8 | 169.0 | 4.75 | | 10.7 | | |
| CIMO436A | Air | 465 (211) | 350 (159) | 18.0 | - | 5.46 | 208-230/60/1 | 6.3 | | |
| CIMO436W | Water | 500 (227) | 420 (191) | 17.7 | 185.0 | 4.37 | | 6.1 | | |
| CIMO435A | Air | 460 (209) | 355 (161) | 20.0 | - | 5.97 | 220-240/50/1 | 8.7 | 16 | |

* Daily ice production based on half cube configuration. When installing a CIM on a drink dispenser, the KCUBEDISPB MUST be used.

Notes:

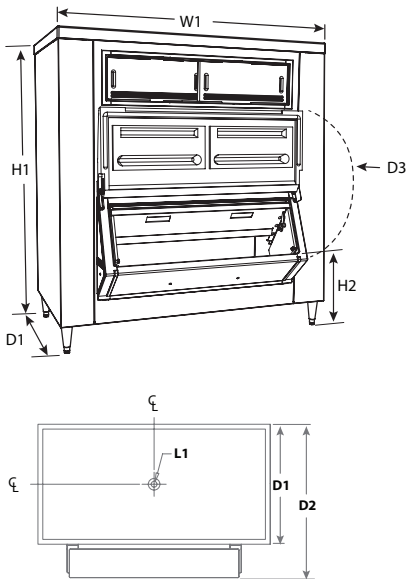
Number of Wires: 3 (including ground)
 Approx. Shipping Weight lbs (kg): CIMO430A 155 (70.3) • CIMO430W 155 (70.3) • CIMO436A 155 (70.3) • CIMO436W 155 (70.3) • CIMO435A 155 (70.3)
 Refrigerant Type: R404A



B1000-48

Features

- Application storage capacity from 680 lbs (308 kg) to 1660 lbs (753 kg).
- 31" deep for use where space is at a premium.
- Durable stainless-steel construction.
- First-in, first-out ice management for fresher ice.
- Corrosion-resistant poly bin liner.
- Heavy duty "stay-open" door for easy one hand access.
- Ice shield controls flow and reduces spills.



| UPRIGHT BIN SPECIFICATIONS | |
|--|------------------------------|
| Maximum Bin Capacity | see model table below |
| W1 Width | see model table below |
| D1 Depth | see model table below |
| D2 Depth with lower door assembly (easily removed for installation access) | add 8.00" (20.32 cm) to D1 |
| D3 Depth with door fully extended | add 18.50" (47.0 cm) to D1 |
| H1 Height (adjustable) | see model table below |
| H2 Bin sill height | 19.00" (48.3 cm) |
| Required door access | see model table below |
| L1 Drain Ice compatibility | 1" FPT, center of bin bottom |
| Shipping weight | see model table below |
| NOTE: For indoor use only | |

| Model | Maximum Bin Capacity lb (kg) | Cubic Volume cu ft (m) | Width - W1 in (mm) | Depth - D1 in (mm) | Height - H1 in (mm) | Required Door Access in (mm) | Approximate Ship Weight lb (kg) |
|----------|------------------------------|------------------------|--------------------|--------------------|---------------------|------------------------------|---------------------------------|
| B700-30 | 680 (308) | 21.7 (0.61) | 30 (762) | 31 (787) | 60 (1524) | 31 (787) | 212 (96) |
| B1000-48 | 1000 (454) | 31.9 (0.90) | 48 (1219) | 31 (787) | 56 (1424) | 32 (813) | 268 (122) |
| B1300-48 | 1320 (599) | 41.9 (1.19) | 48 (1219) | 31 (787) | 65 (1651) | 32 (813) | 270 (123) |
| B1325-60 | 1325 (601) | 42.0 (1.19) | 60 (1524) | 31 (787) | 56 (1424) | 32 (813) | 320 (146) |
| B1600-60 | 1660 (753) | 52.8 (1.50) | 60 (1524) | 31 (787) | 65 (1651) | 32 (813) | 340 (154) |



UPRIGHT STORAGE BINS

Single Ice Machine Configurations

Ice-O-Matic offers a full line of bins for most applications. From low profile slope-front bins to high capacity space-saving uprights, we have a bin to meet any need. The following table will help you create the system you need in a safe and cost effective manner.

| Bin Model No. | Style | CIM Series Cube Ice Makers | | | ICE Series Cube Ice Makers | | | Pearl Ice® Ice Makers | | Flake Ice Machine | |
|---------------|-------------|-------------------------------|----------------------|-----------------------|-------------------------------|----------------------|-----------------------|--------------------------|----------------------|----------------------|----------------------|
| | | 22" (565 mm) wide | 30" (762 mm) wide | 48" (1219 mm) wide | 22" (565 mm) wide | 30" (762 mm) wide | 48" (1219 mm) wide | 21" (533 mm) wide | 30" (762 mm) wide | 21" (533 mm) wide | 30" (762 mm) wide |
| B25PP** | Slope Front | KBT19 | △ | N/A | KBT19 | △ | N/A | KBT19 | △ | KBT19 | △ |
| B40PS | Slope Front | KBT19 | △ | N/A | KBT19 | △ | N/A | KBT19 | △ | KBT19 | △ |
| B42PS | Slope Front | △ | N/A | N/A | △ | N/A | N/A | KBT24 | N/A | KBT24 | N/A |
| B55PS | Slope Front | KBT19 | △ | N/A | KBT19 | △ | N/A | KBT19 | △ | KBT19 | △ |
| B110PS | Slope Front | KBT23C | BPF-1*** | △ | N/A | BPF-1*** | △ | KBT23C | BPF-1*** | KBT23C | BPF-1*** |
| B700-30 | Upright | △ | △ | △ | △ | △ | △ | △ | △ | △ | △ |
| B1000-48 | Upright | △ | △ | △ | △ | △ | △ | △ | △ | △ | △ |
| B1300-48 | Upright | △ | △ | △ | △ | △ | △ | △ | △ | △ | △ |
| B1325-60 | Upright | △ | △ | △ | △ | △ | △ | △ | △ | △ | △ |
| B1600-60 | Upright | △ | △ | △ | △ | △ | △ | △ | △ | △ | △ |

** Rotocast finish

*** BPF-1 used with B110 bins only. If you have an older model B100 use the KBT5.

△ Kit not required

N/A - Ice Machine and Bin Configurator not applicable

Side-by-Side Ice Machine Configurations

There are times when it is desirable to install (2) ice machines side-by-side on a bin. The reasons may range from gaining maximum output to creating redundancy. Ice-O-Matic offers an array of kits and bins with custom order tops for just such applications. The following table will help you create the system you need in a safe and cost effective manner.

| Bin Model No. | Style | CIM Series Cube Ice Makers | | ICE Series Cube Ice Makers | | Pearl Ice® Ice Makers | | Flake Ice Machine | |
|---------------|-------------|-------------------------------|--------------------------|-------------------------------|--------------------------|--------------------------|--------------------------|--------------------------|--------------------------|
| | | TWO 22" (565 mm) wide | TWO 30" (762 mm) wide | TWO 22" (559 mm) wide | TWO 30" (762 mm) wide | TWO 21" (533 mm) wide | TWO 30" (762 mm) wide | TWO 21" (533 mm) wide | TWO 30" (762 mm) wide |
| B25PP** | Slope Front | N/A | N/A | N/A | N/A | N/A | N/A | N/A | N/A |
| B40PS | Slope Front | N/A | N/A | N/A | N/A | N/A | N/A | N/A | N/A |
| B42PS | Slope Front | N/A | N/A | N/A | N/A | N/A | N/A | N/A | N/A |
| B55PS | Slope Front | N/A | N/A | N/A | N/A | N/A | N/A | N/A | N/A |
| B110PS | Slope Front | KBT222 | N/A | N/A | N/A | KBT222 | N/A | KBT222 | N/A |
| B700-30 | Upright | N/A | N/A | N/A | N/A | N/A | N/A | N/A | N/A |
| B1000-48 | Upright | △△ | N/A | △△ | △△ | △△ | N/A | △△ | N/A |
| B1300-48 | Upright | △△ | N/A | △△ | △△ | △△ | N/A | △△ | N/A |
| B1325-60 | Upright | △△ | KBTF230* | △△ | KBTF21506 | △△ | KBTF230 | △△ | KBTF230 |
| B1600-60 | Upright | △△ | KBTF230* | △△ | KBTF21506 | △△ | KBTF230 | △△ | KBTF230 |

* Must use remote or water cooled model only

** Rotocast finish

△△ Kit not required

N/A - Ice Machine and Bin Configurator not applicable

Bin Accessories

| Ice-O-Matic Part Number | Description |
|-------------------------|--------------------------------|
| 1011517-22 | Plastic ice shovel |
| 1011517-23 | Hanging bracket for ice shovel |
| 1011517-24 | 46.5" Plastic paddle |
| 1051517-29 | Hanging bracket for ice paddle |
| 9051127-01 | 82 Ounce ice scoop |