



ELEVATION SERIES CUBE ICE MAKER

CIMO320/O325/O326



Model:

- CIMO320
- CIMO325
- CIMO326



CIMO320 ON B42

Features and Benefits

- 22.25" (565 mm) wide space-saving design.
- Produces up to 330 lbs (143 kg) of ice per day.
- *Energy and Environment*
 - Exceeds new 2018 DOE (Department of Energy) regulations.
 - Up to 20% more energy efficient than other models.
 - Environmentally friendly, including BPA-free plastic and recyclable parts.
- *Sanitation*
 - Plastic Food Zone eliminates hard-to-clean nooks and crannies, allowing for effortless wipe down and easy, long-lasting sanitation.
 - Built in Agion® ensures unbeatable antimicrobial protection.
 - Smart LED light indicates machine status and when cleaning is required.
 - Simple, one-touch controls for sanitization and descaling.
 - BPA-free snap-in, snap-out dishwasher-safe components.
- *Unique Dual Exhaust* - Air-cooled machines are designed to discharge hot air from both the side and top of the unit, increasing installation flexibility and reducing the potential of obstructed exhaust.
- *Universal Smart Harness™* control board simplifies installation and servicing with better access, digital diagnostics, universal components and common configuration.

CIMO320/O325/O326 CUBE ICE MAKER

Ice Form

FULL CUBE DIMENSIONS	
W x D x H (in.)	7/8 x 7/8 x 7/8
W x D x H (mm)	22 x 22 x 22
HALF CUBE DIMENSIONS	
W x D x H (in.)	3/8 x 7/8 x 7/8
W x D x H (mm)	10 x 22 x 22



CUBE

Bin Chart *Kits for Combining Wider Bins with Smaller Models*

ICE STORAGE BINS											
	Model No. Capacity Width	B25 242 lbs (110 kg) 30 in (762 mm)	B40 344 lbs (156 kg) 30 in (762 mm)	B42 351 lbs (160 kg) 22 in (559 mm)	B55 510 lbs (232 kg) 30 in (762 mm)	B110 854 lbs (388 kg) 48 in (1,219 mm)	B700 680 lbs (308 kg) 30 in (762 mm)	B1000 1,000 lbs (454 kg) 48 in (1,219 mm)	B1300 1,320 lbs (599 kg) 48 in (1,219 mm)	B1325 1,325 lbs (601 kg) 60 in (1,524 mm)	B1660 1,660 lbs (753 kg) 60 in (1,524 mm)
Kits	CIMO320	KBT19	Kit Not Required	KBT19	N/A	Hold Down Securement Recommended					
CIMO325											
CIMO326											

*See Ice-O-Matic Price List for Adapter Kits to combine ice makers with most available ice/beverage dispensers.

Options & Accessories

WATER FILTERS		
Ice Machine Model	Manifold	
	System	Replacement
CIMO320	IFQ1	IOMQ (1)
CIMO325		
CIMO326		

Note: All modular cube CIM units can be installed with manufacturer approved ozone delivery systems.

Ice Maker Warranty

COMMERCIAL WARRANTY	
Ice Maker	3 YEARS parts and labor
Evaporator and Compressor	5 YEARS parts
Evaporator (when enrolled in our filter program)	7 YEARS parts and labor





ELEVATION SERIES CUBE ICE MAKER

CIMO320/O325/O326

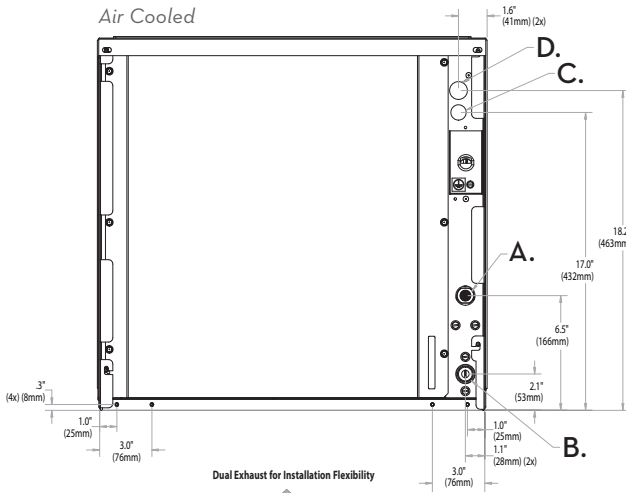


CIMO320/O325/O326 CUBE ICE MAKER

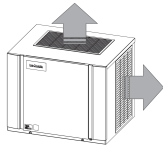
Air Cooled

Please note: air-cooled units require 6" (152 mm) clearance for air intake and exhaust.

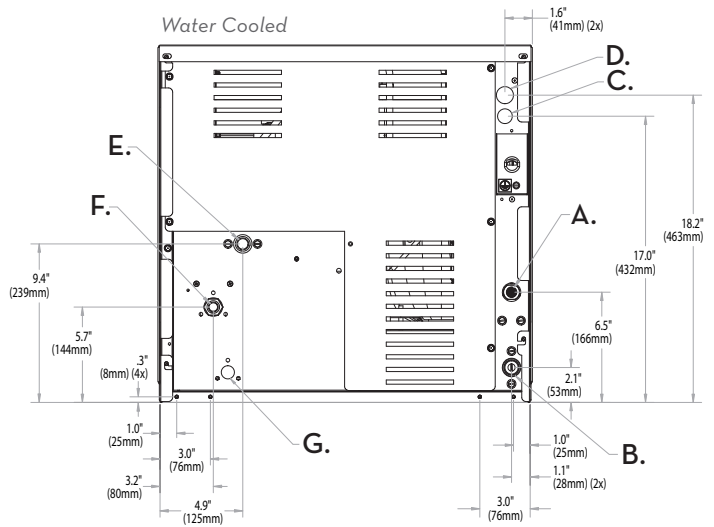
- A. Ice maker potable water in, 3/8" FPT.
- B. Ice maker water out, 3/4" FPT.
- C. Hole for electrical connections, 7/8".
- D. Electrical connection junction box, 7/8".



Dual Exhaust for Installation Flexibility



Water Cooled



Water Cooled

- A. Ice maker potable water in, 3/8" FPT.
- B. Ice maker water out, 3/4" FPT.
- C. Hole for electrical connections, 7/8".
- D. Electrical connection junction box, 7/8" (remote).
- E. Condenser water in, 3/8" FPT (water only). Discharge line, 1/2" male quick connect coupling for precharged line set (remote only).
- F. Condenser water out, 1/2" FPT (water only).
- G. Liquid line, 3/8" male quick connect for precharged line set (remote only).

Operating Requirements

	MINIMUM	MAXIMUM	
		60 Hz	50Hz
Ambient Temp. Range Air	50°F (10°C)	100°F (38°C)	110°F (43°C)
Water Temp.	40°F (4.4°C)		
Water Pressure	20 PSIG (1.4 BAR)	80 PSIG (5.5 BAR)	

Dimensions

ALL MODELS	
W x D x H (in.)	22.25 x 24.25 x 21.25
W x D x H (mm)	565 x 616 x 540

Specifications

Model Number	Cond. Unit	Half-Cube Ice Production per 24hrs		Water Usage gallons per 100 lbs of Ice 90°F air/70°F water		kWH Used per 100 lbs of ice @ 90°F air/70°F water	Voltage Characteristics	Min. Circuit Ampacity	Fuse Size	Approx. BTUs per hour
		70°F air/50°F water lbs (kg)	90°F air/70°F water lbs (kg)	Potable	Condenser					
CIMO320A	Air	313 (142)	244 (111)	20	N/A	6.69	115/60/1	11.0	15	4,400
CIMO320W	Water	316 (143)	274 (124)	19.6	179	5.19		10.7		
CIMO325A	Air	290 (132)	220 (100)	22	N/A	7.32	220-240/50/1	6.9	16	
CIMO325W	Water	310 (141)	278 (126)	20	187.5	5.53		6.8		
CIMO326A	Air	330 (150)	247 (112)	24	N/A	6.8	208-230/60/1	6.5	15	

* Daily ice production based on half cube configuration. When installing a CIM on a drink dispenser, the KCUBEDISPB MUST be used.

Notes:

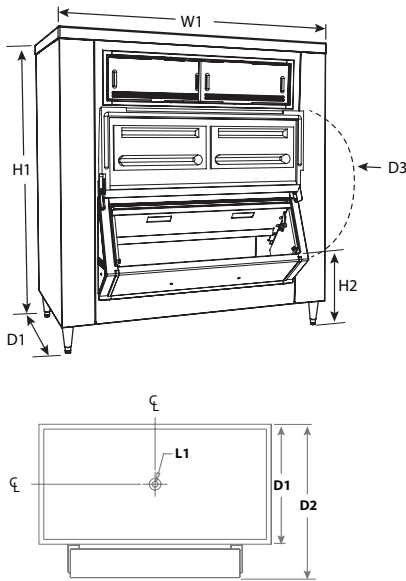
Number of Wires: 3 (including ground)
 Approx. Shipping Weight lbs (kg): CIMO320A 150 (68) • CIMO320W 160 (73) • CIMO325A 150 (68) • CIMO325W 160 (73) • CIMO326A 150 (68)
 Refrigerant Type: R404A



B1000-48

Features

- Application storage capacity from 680 lbs (308 kg) to 1660 lbs (753 kg).
- 31" deep for use where space is at a premium.
- Durable stainless-steel construction.
- First-in, first-out ice management for fresher ice.
- Corrosion-resistant poly bin liner.
- Heavy duty "stay-open" door for easy one hand access.
- Ice shield controls flow and reduces spills.



UPRIGHT BIN SPECIFICATIONS	
Maximum Bin Capacity	see model table below
W1 Width	see model table below
D1 Depth	see model table below
D2 Depth with lower door assembly (easily removed for installation access)	add 8.00" (20.32 cm) to D1
D3 Depth with door fully extended	add 18.50" (47.0 cm) to D1
H1 Height (adjustable)	see model table below
H2 Bin sill height	19.00" (48.3 cm)
Required door access	see model table below
L1 Drain Ice compatibility	1" FPT, center of bin bottom
Shipping weight	see model table below
NOTE: For indoor use only	

Model	Maximum Bin Capacity lb (kg)	Cubic Volume cu ft (m)	Width - W1 in (mm)	Depth - D1 in (mm)	Height - H1 in (mm)	Required Door Access in (mm)	Approximate Ship Weight lb (kg)
B700-30	680 (308)	21.7 (0.61)	30 (762)	31 (787)	60 (1524)	31 (787)	212 (96)
B1000-48	1000 (454)	31.9 (0.90)	48 (1219)	31 (787)	56 (1424)	32 (813)	268 (122)
B1300-48	1320 (599)	41.9 (1.19)	48 (1219)	31 (787)	65 (1651)	32 (813)	270 (123)
B1325-60	1325 (601)	42.0 (1.19)	60 (1524)	31 (787)	56 (1424)	32 (813)	320 (146)
B1600-60	1660 (753)	52.8 (1.50)	60 (1524)	31 (787)	65 (1651)	32 (813)	340 (154)



Single Ice Machine Configurations

Ice-O-Matic offers a full line of bins for most applications. From low profile slope-front bins to high capacity space-saving uprights, we have a bin to meet any need. The following table will help you create the system you need in a safe and cost effective manner.

Bin Model No.	Style	CIM Series Cube Ice Makers			ICE Series Cube Ice Makers			Pearl Ice® Ice Makers		Flake Ice Machine	
		22" (565 mm) wide	30" (762 mm) wide	48" (1219 mm) wide	22" (565 mm) wide	30" (762 mm) wide	48" (1219 mm) wide	21" (533 mm) wide	30" (762 mm) wide	21" (533 mm) wide	30" (762 mm) wide
B25PP**	Slope Front	KBT19	△	N/A	KBT19	△	N/A	KBT19	△	KBT19	△
B40PS	Slope Front	KBT19	△	N/A	KBT19	△	N/A	KBT19	△	KBT19	△
B42PS	Slope Front	△	N/A	N/A	△	N/A	N/A	KBT24	N/A	KBT24	N/A
B55PS	Slope Front	KBT19	△	N/A	KBT19	△	N/A	KBT19	△	KBT19	△
B110PS	Slope Front	KBT23C	BPF-1***	△	N/A	BPF-1***	△	KBT23C	BPF-1***	KBT23C	BPF-1***
B700-30	Upright	△	△	△	△	△	△	△	△	△	△
B1000-48	Upright	△	△	△	△	△	△	△	△	△	△
B1300-48	Upright	△	△	△	△	△	△	△	△	△	△
B1325-60	Upright	△	△	△	△	△	△	△	△	△	△
B1600-60	Upright	△	△	△	△	△	△	△	△	△	△

** Rotocast finish

*** BPF-1 used with B110 bins only. If you have an older model B100 use the KBT5.

△ Kit not required

N/A - Ice Machine and Bin Configurator not applicable

Side-by-Side Ice Machine Configurations

There are times when it is desirable to install (2) ice machines side-by-side on a bin. The reasons may range from gaining maximum output to creating redundancy. Ice-O-Matic offers an array of kits and bins with custom order tops for just such applications. The following table will help you create the system you need in a safe and cost effective manner.

Bin Model No.	Style	CIM Series Cube Ice Makers		ICE Series Cube Ice Makers		Pearl Ice® Ice Makers		Flake Ice Machine	
		TWO 22" (565 mm) wide	TWO 30" (762 mm) wide	TWO 22" (559 mm) wide	TWO 30" (762 mm) wide	TWO 21" (533 mm) wide	TWO 30" (762 mm) wide	TWO 21" (533 mm) wide	TWO 30" (762 mm) wide
B25PP**	Slope Front	N/A	N/A	N/A	N/A	N/A	N/A	N/A	N/A
B40PS	Slope Front	N/A	N/A	N/A	N/A	N/A	N/A	N/A	N/A
B42PS	Slope Front	N/A	N/A	N/A	N/A	N/A	N/A	N/A	N/A
B55PS	Slope Front	N/A	N/A	N/A	N/A	N/A	N/A	N/A	N/A
B110PS	Slope Front	KBT222	N/A	N/A	N/A	KBT222	N/A	KBT222	N/A
B700-30	Upright	N/A	N/A	N/A	N/A	N/A	N/A	N/A	N/A
B1000-48	Upright	△△	N/A	△△	△△	△△	N/A	△△	N/A
B1300-48	Upright	△△	N/A	△△	△△	△△	N/A	△△	N/A
B1325-60	Upright	△△	KBTF230*	△△	KBTF21506	△△	KBTF230	△△	KBTF230
B1600-60	Upright	△△	KBTF230*	△△	KBTF21506	△△	KBTF230	△△	KBTF230

* Must use remote or water cooled model only

** Rotocast finish

△△ Kit not required

N/A - Ice Machine and Bin Configurator not applicable

Bin Accessories

Ice-O-Matic Part Number	Description
1011517-22	Plastic ice shovel
1011517-23	Hanging bracket for ice shovel
1011517-24	46.5" Plastic paddle
1051517-29	Hanging bracket for ice paddle
9051127-01	82 Ounce ice scoop