



DESIGNED SMART. BUILT SOLID.®

INSTALLATION AND OPERATING INSTRUCTIONS

Overhead Warmers

Models: FD, FDD, FDL & FDDL

Intended for other than household use. Unit must be kept clear of combustibles at all times.



WARNING: California Residents Only. This product can expose you to chemicals including chromium which is known to the State of California to cause cancer and birth defects or other reproductive harm. For more information go to www.P65Warnings.ca.gov.



WARNING: For your safety do not store or use gasoline or other flammable vapors or liquids in the vicinity of this or any other appliance. Keep the area free and clear of combustibles. (See ANZI Z83.14B, 1991)



WARNING: Improper installation, operation, service or maintenance can cause property damage, injury or death. Read and understand these instructions thoroughly before positioning, installing, maintaining or servicing this equipment.



Initial heating of appliance may generate smoke or fumes and must be done in a well ventilated area. Overexposure to smoke or fumes may cause nausea or dizziness.

APW Wyott® cooking equipment has been engineered to provide you with year-round dependable service when used according to the instructions in this manual and standard commercial kitchen practices.



P/N 7040000 09/18

APW Wyott Food Service Equipment Company
1307 N. Watters Road, Suite 180 • Allen, TX 75013

972.908.6100 Phone
214.565.0976 Fax

+1.800.527.2100
www.apwwyott.com

TABLE OF CONTENTS

SECTION	ITEM	PAGE	SECTION	ITEM	PAGE
1	Owner's Information	2	6	Troubleshooting.	6
	General Information.	2	7	Wiring Diagrams	6
	Installation Instructions	2		FD Wiring Diagrams	6
	General Operation Instructions	4		FDL Wiring Diagrams	7
	Warranty Information.	4		FDD Wiring Diagrams	8
2	Important Safety Information	4		FDDL Wiring Diagrams	9
3	Specifications	4	8	Parts Lists	10
	Electrical	4		FD Replacement Parts	10
	Dimensions	5		FDL Replacement Parts	13
4	Operation	5		FDD or FDDL Replacement Parts	16
	Operating Instructions.	5	9	Warranty	20
5	Cleaning	5			
	General Cleaning Instructions.	5			

1. OWNERS INFORMATION

General Information:

1. Always clean equipment thoroughly before first use. (See general cleaning instructions).
2. Check rating label for your model designation and electrical rating.
3. For best results, use stainless steel countertops.
4. All dimensions in parenthesis in centimeters unless noted.
5. APW Wyott® Overhead Food warmers are constructed from high quality stainless steel and available in lengths from 18” to 72”. Utilizing a metal sheath-heating element with a specially designed reflector, these units give uniform heat over the entire holding surface.
6. In Europe, contact an APW Wyott authorized service agency for replacement light bulbs.



Installation Instructions:

- A. Always clean equipment thoroughly before first use (See cleaning instructions).
- B. Provide the following clearances around food warmer:
 - Do not install closer than:
 - A = Minimum clearance (in inches) to Bottom Surface of unit from Tabletop
 - B = Minimum clearance (in inches) to Back of unit
 - C = Minimum clearance (in inches) to Sides of unit.

Clearances For Overheads						
	High Wattage			Low Wattage		
FDD/FDDL-18	28	12	2	24	12	2
FDD/FDDL-24	28	12	2	24	12	2
FDD/FDDL-30	28	12	2	24	12	2
FDD/FDDL-36	28	12	2	24	12	2
FDD/FDDL-42	28	12	2	24	12	2
FDD/FDDL-48	28	12	2	24	12	2

FDD/FDDL-54	28	12	2	24	12	2
FDD/FDDL-60	28	12	2	24	12	2
FDD/FDDL-66	28	12	2	24	12	2
FDD/FDDL-72	28	12	2	24	12	2
FD/FDL-18	16	2	2	16	2	2
FD/FDL-24	16	2	2	16	2	2
FD/FDL-30	16	2	2	16	2	2
FD/FDL-36	16	2	2	16	2	2
FD/FDL-42	16	2	2	16	2	2
FD/FDL-48	16	2	2	16	2	2
FD/FDL-54	16	2	2	16	2	2
FD/FDL-60	16	2	2	16	2	2
FD/FDL-66	16	2	2	16	2	2
FD/FDL-72	16	2	2	16	2	2

- C. Consult foodwarmer rating label for model designation and correct operating voltage and amperage.
- D. Ceiling mounting brackets are provided with each foodwarmer for chain or shelf mounting. Remove brackets from packaging and screws from ends of foodwarmer to attach brackets. Use four #10 screws or studs with locknuts for shelf mounting. For chain mounting, use #14 jack chain and “S” hooks.
- E. Remote switches are recommended. Longer switch life will result from cooler switch mounting locations. Optional stainless steel remote toggle and infinite switch box kits are available. Installation of remote switch box by service personnel requires 7/8” conduit, 1/4” push-on terminals, and no. 14 AWG copper wire suitable for at least 90°C. Mount remote box to flat surface with two #10 screws or studs with locknuts. All wires marked as shown on wiring diagram.
- F. Optional tubular stands are available for permanently mounting foodwarmers to non-combustible countertops.
- G. Optional portable legs are available for foodwarmers for use over non-combustible countertops.
- H. Installation of cord sets by service personnel should utilize the strain relief, grounding stud, and porcelain wire nuts provided with foodwarmers.
- I. If unit is supplied with a power cord, the appliance must be positioned so that the plug is accessible.

	<p>NOTE: to avoid burning or charring of materials in the surface below the foodwarmer use only above an all-metal structure such as a table or countertop. See minimum clearance chart above.</p> <p>Remote switches are recommended for under shelf mounting. Longer switch life will result from cooler switch mounting locations.</p>	
---	--	---

General Operation Instructions:

1. All foodservice equipment should be operated by trained personnel.
2. Do not allow your customers to come in contact with any surface labeled “CAUTION HOT”.
3. Never hold food below 150°F (66°C).

Warranty Information:

Reliability Backed By APW Wyott’s Warranty:

All APW Wyott® Overhead Warmers are backed by a one year parts and labor warranty, including On-Site Service calls within 50 miles of authorized service technicians.

Service Information:

Service Hotline (800) 733-2203

2. SAFETY INFORMATION

APW Wyott Overhead Warmers are designed, built and sold for commercial use and should be operated by trained personnel only. Clearly post all CAUTIONS, WARNINGS and OPERATING INSTRUCTIONS near each unit to insure proper operation and to reduce the chance of personal injury and/or equipment damage.

Always disconnect power before servicing the Overhead Warmer. Surfaces will remain hot after power has been turned off. Allow unit to cool before cleaning or servicing. Never clean the Overhead Warmer by immersing it in water. The Overhead Warmer is not protected against water jets; DO NOT CLEAN OVERHEAD WARMER WITH A WATER JET. Always clean equipment before first use.

3. SPECIFICATIONS

Electrical:

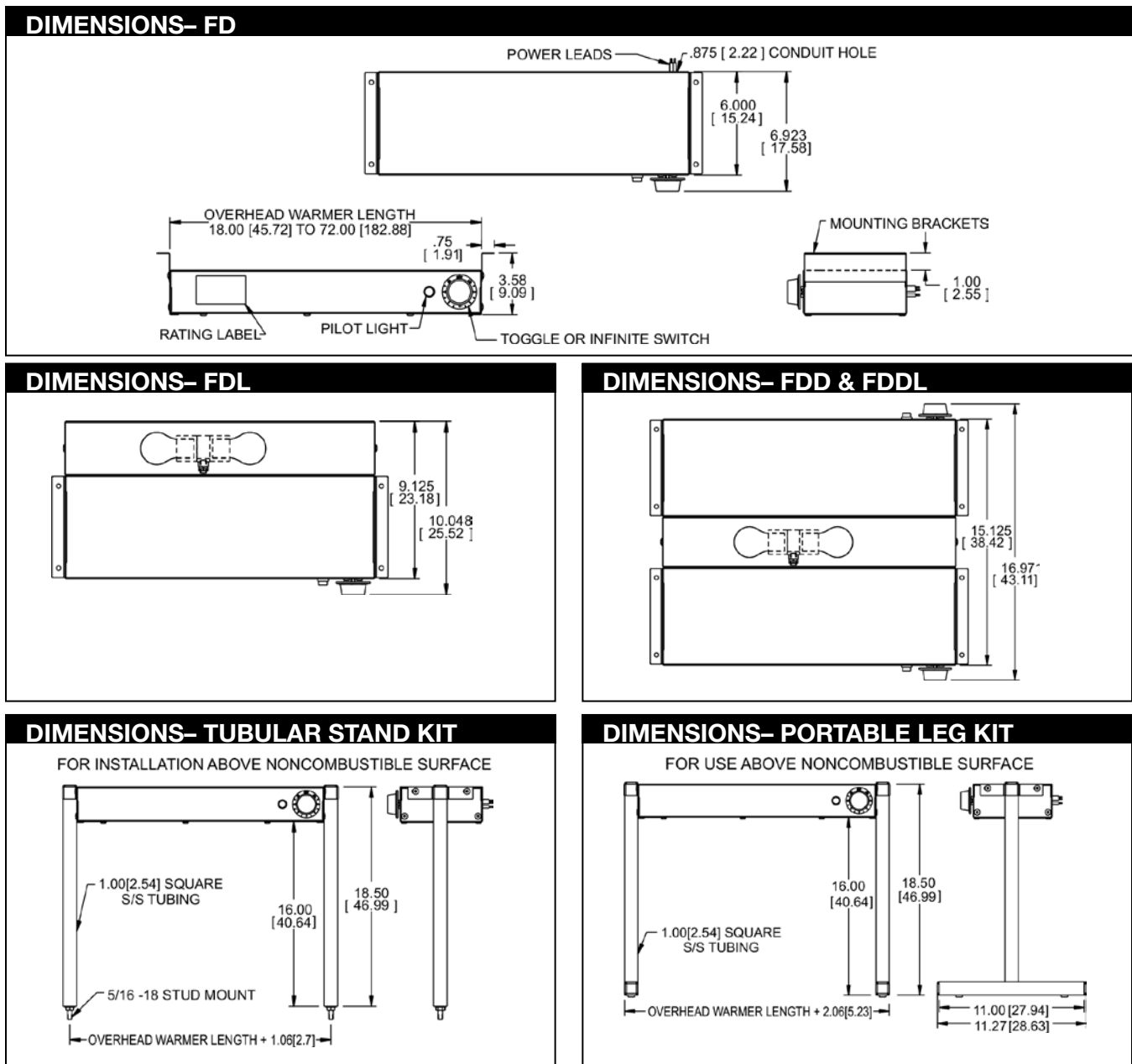
- A. Single-phase operation at 120, 208, 230, and 240 volts. (See label on each unit).
- B. Field-wired units provided with 7/8” conduit hole, 6” long leads, and porcelain wire nuts. For supply connections, use minimum no. 14AWGcopper wires suitable for at least 90°C.
- C. U.S. cord-connected units provided with following plug configuration:
 1. 120 volt up to 1440 watts =NEMA5-15P; 120 volt up to 1920 watts =NEMA5-20P
 2. 208 volt up to 2496 watts =NEMA6-15P; 208 volt up to 3328 watts =NEMA6-20P
 3. 240 volt up to 2880 watts =NEMA6-15P; 240 volt up to 3840 watts =NEMA6-20P
- D. European cord-connected units provided with following plug configuration:
 1. Continental Europe 230 volt up to 3600 watts = Schuko CEE7/7
 2. UK 230 volt up to 2930 watts =Bs1363

If the supply cord is damaged, an authorized service agent or a similarly qualified person must replace it to avoid a hazard or voiding the warranty.

WARNING: Electrical shock hazard. Failure to follow the instructions in this manual could result in serious injury or death.

- Electrical Ground is required on this appliance.
- Do not modify the power supply cord plug. If it does not fit into the outlet, have the proper outlet installed by a qualified electrician
- Do not use an extension cord with this appliance.
- Check with a qualified electrician if you are unsure as to whether the appliance is properly grounded.

Overall Dimensions:



4. OPERATION

- A. All foodservice equipment should be operated by trained personnel.
- B. Do not allow your customers to come in contact with any surface labeled “CAUTION HOT”.
- C. Switch on unit. Place precooked product under heat source. Maximum heat coverage equivalent to unit length.
- D. Never hold food below 150°F.

5. CLEANING

- A. Never clean any electrical unit by immersing it in water.
- B. Never clean any electrical unit using water jets.
- C. Disconnect power before cleaning or servicing units.
- D. Clean unit daily. Use warm, soapy water. Mild cleansers and non-abrasive pads may be used to remove baked-on food.

6. TROUBLESHOOTING

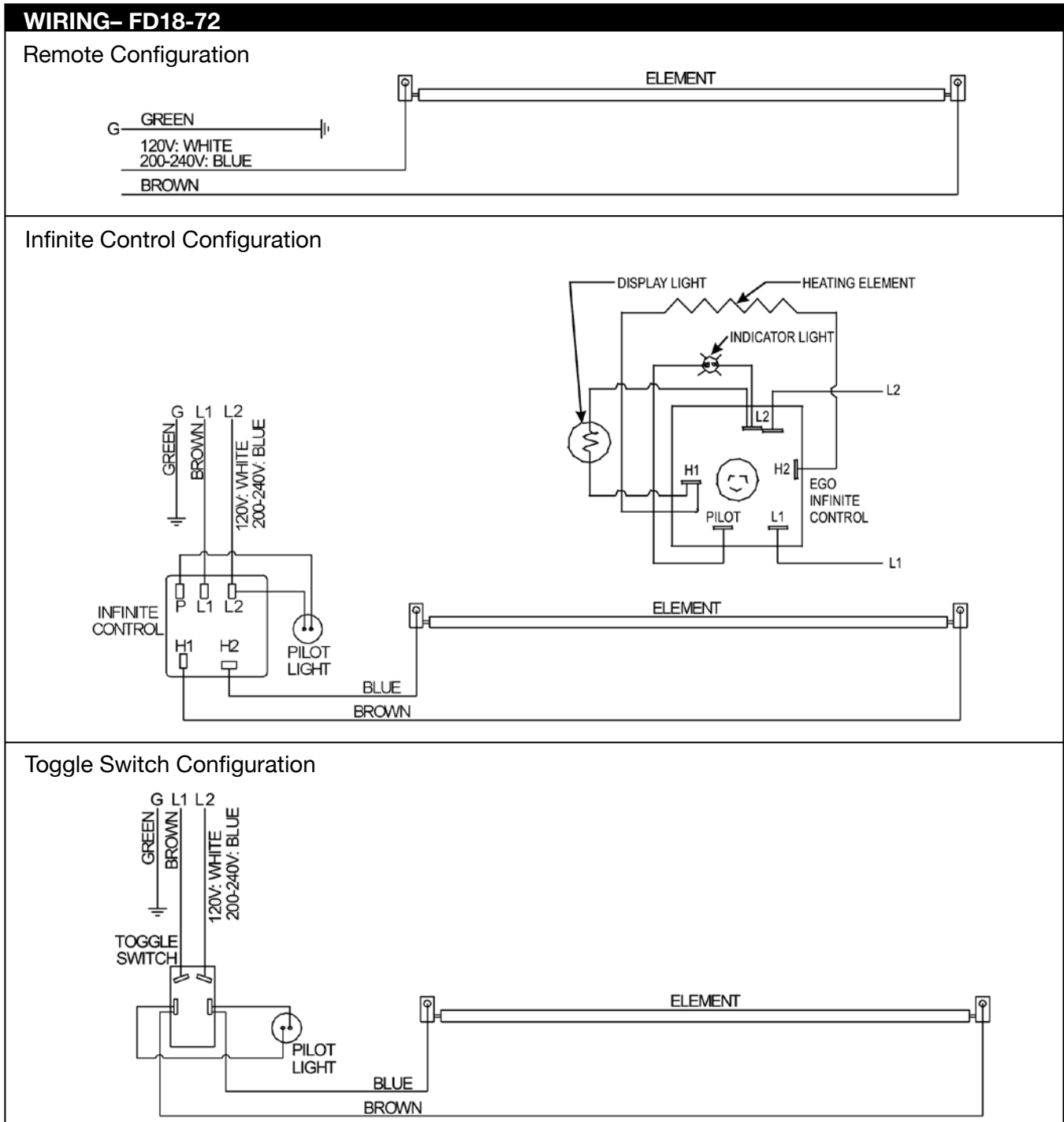
A. Always ask and check:

1. Is the unit connected to a live power source?
2. Check the circuit breaker.
3. Is the power switch on and pilot light illuminating?
4. Check the rating label. Is the unit operating on proper voltage?

B. If the above checks out, and problems still exist, call an APW Wyott authorized service agency.

C. All service should be performed by an APW Wyott authorized service agency.

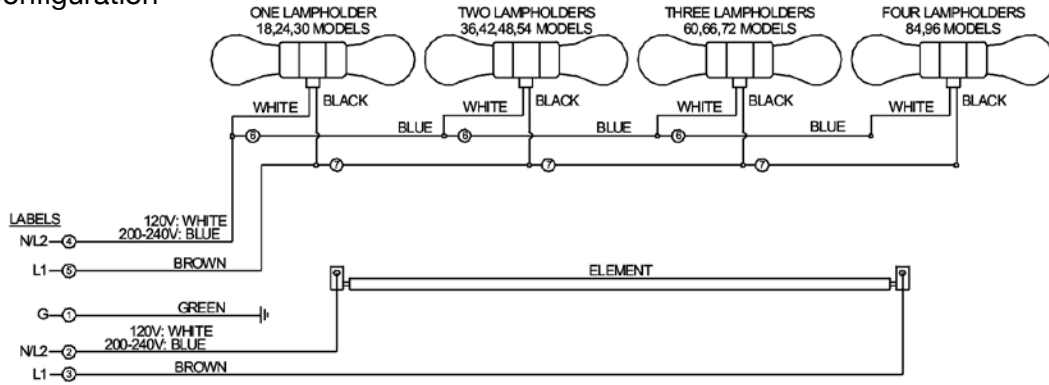
7. WIRING DIAGRAMS



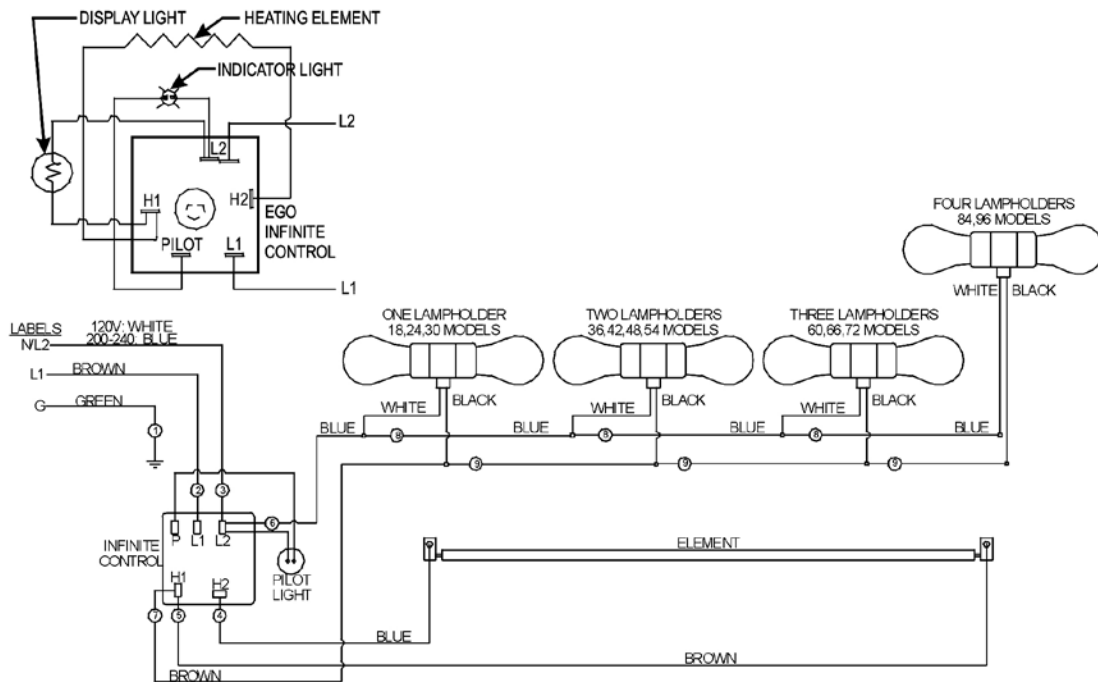
67177 REV-11/2001

WIRING- FDL18-72

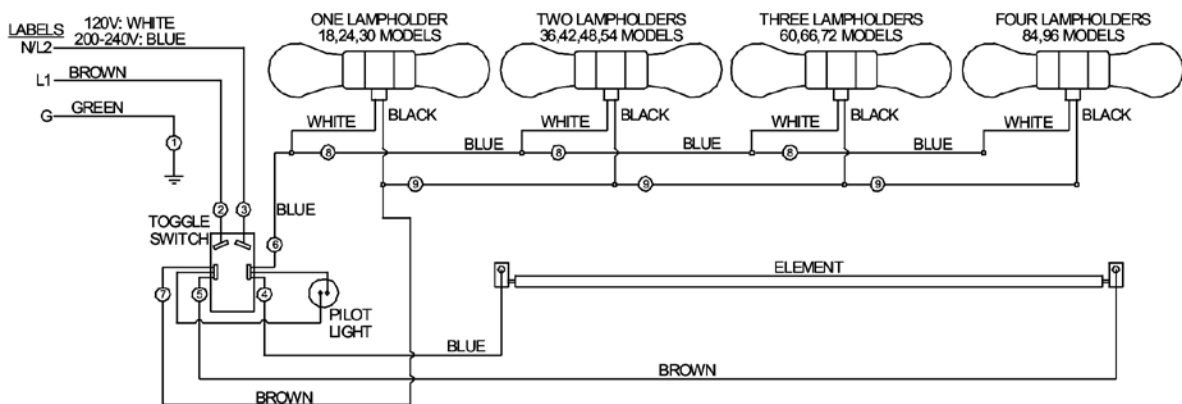
Remote Configuration



Infinite Control Configuration

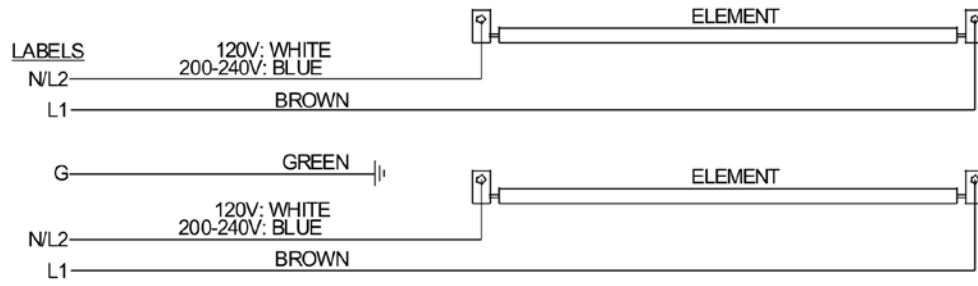


Toggle Switch Configuration

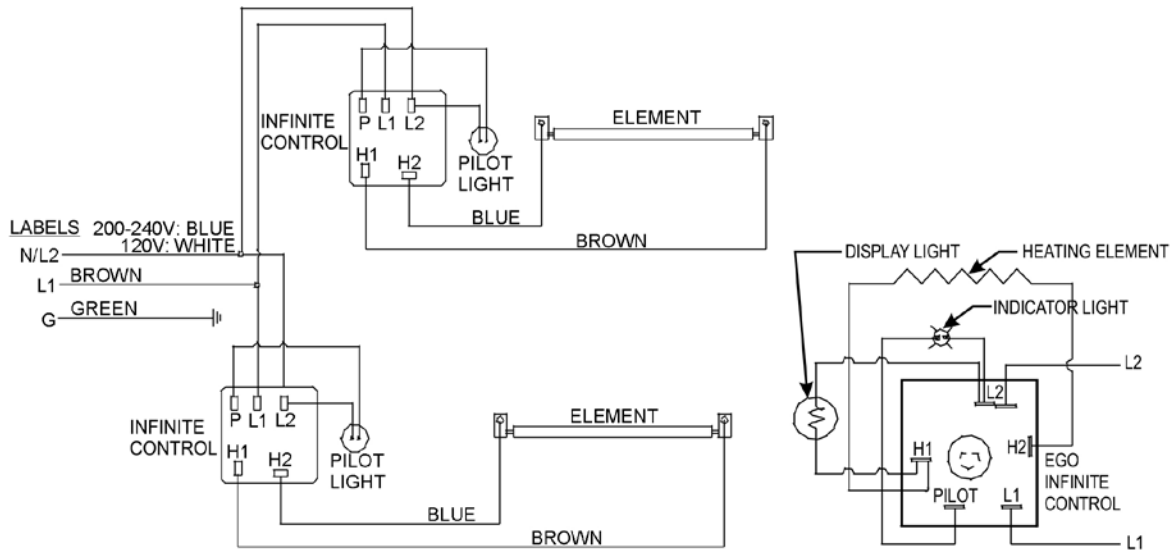


WIRING- FDD18-72

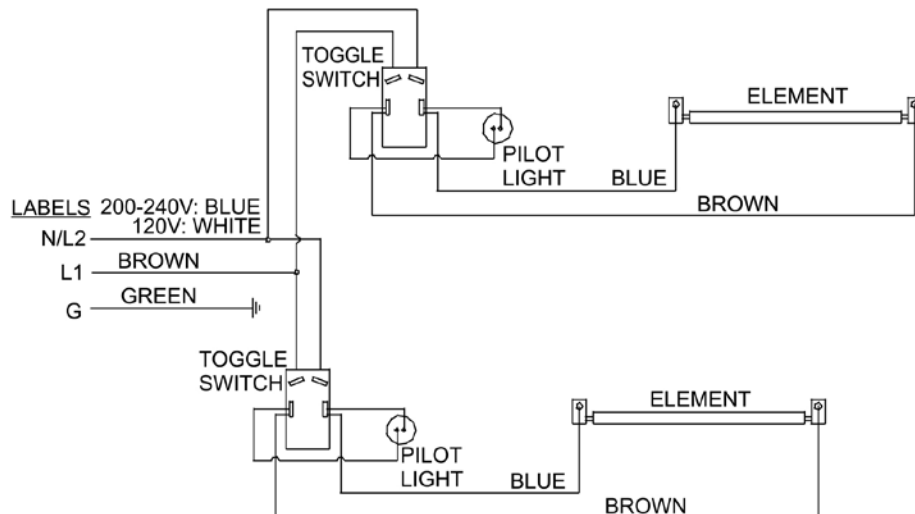
Remote Configuration



Infinite Control Configuration

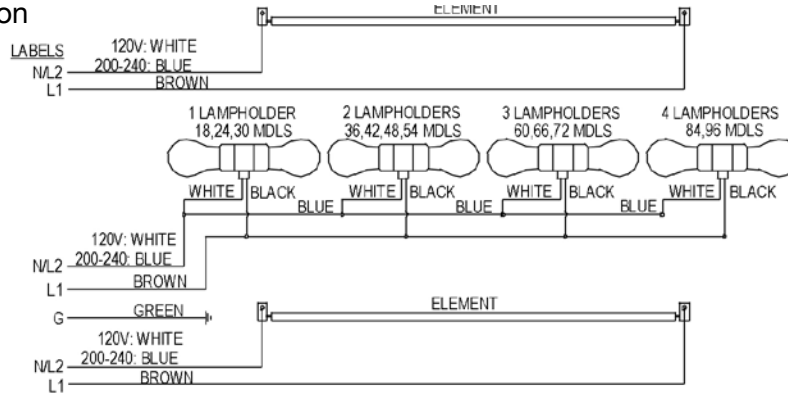


Toggle Switch Configuration

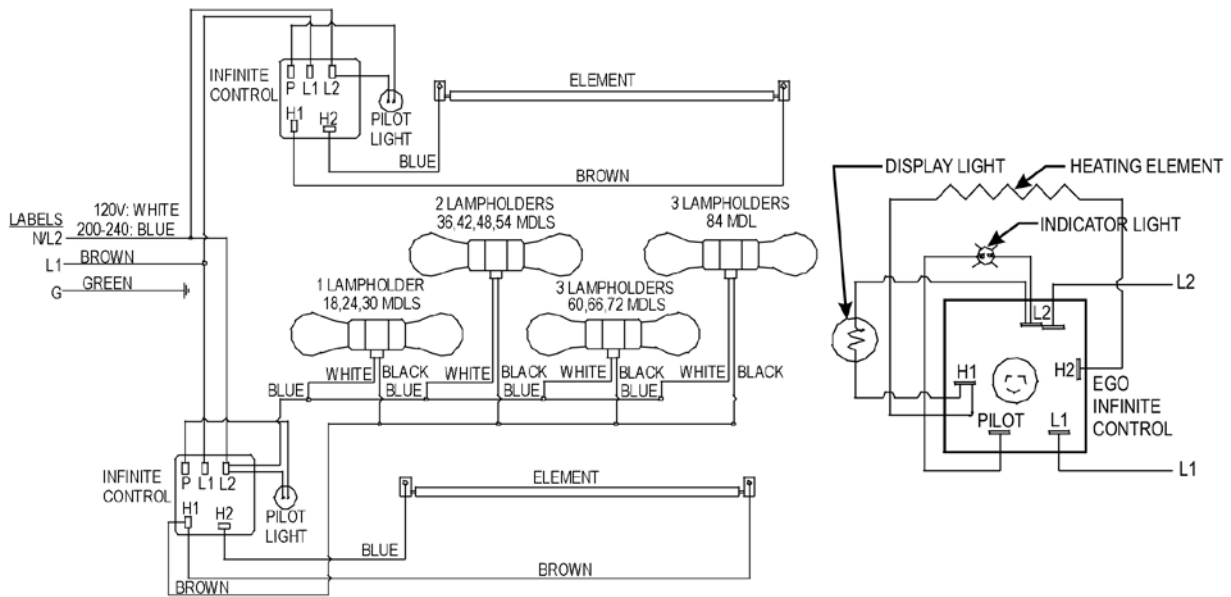


WIRING- FDDL18-72

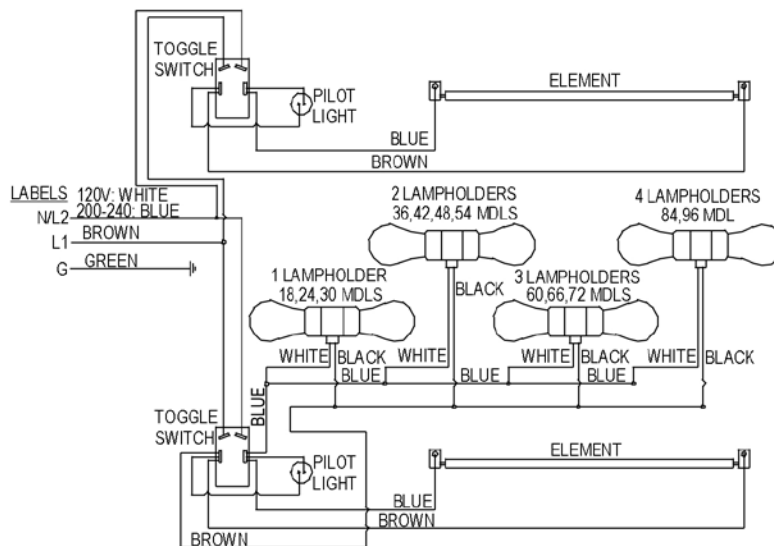
Remote Configuration



Infinite Control Configuration



Toggle Switch Configuration



8. PARTS LISTS

Model "FD" Overhead Warmers Replacement Parts Catalog
 FD Followed By 18, 24, 30, 36, 42, 48, 54, 60, 66, or 72

Model	Volts	High Wattage	Low Wattage	Model	Volts	High Wattage	Low Wattage
FD18	120	400	250	FD54	120	1425	925
	208	400	250		208	1425	925
	230	368	294		230	1309	850
	240	400	320		240	1425	925
FD24	120	575	350	FD60	120	1600	1050
	208	575	350		208	1610	1050
	230	529	322		230	1479	965
	240	575	350		240	1610	1050
FD30	120	760	450	FD66	208	1800	1160
	208	760	450		230	1654	1066
	230	698	414		240	1800	1160
	240	760	450	FD72	208	1980	1275
FD36	120	920	575		230	1819	1171
	208	920	575		240	1980	1275
	230	845	529				
	240	920	575				
FD42	120	1100	675				
	208	1100	675				
	230	1011	620				
	240	1100	675				
FD48	120	1265	800				
	208	1265	800				
	230	1162	735				
	240	1265	800				

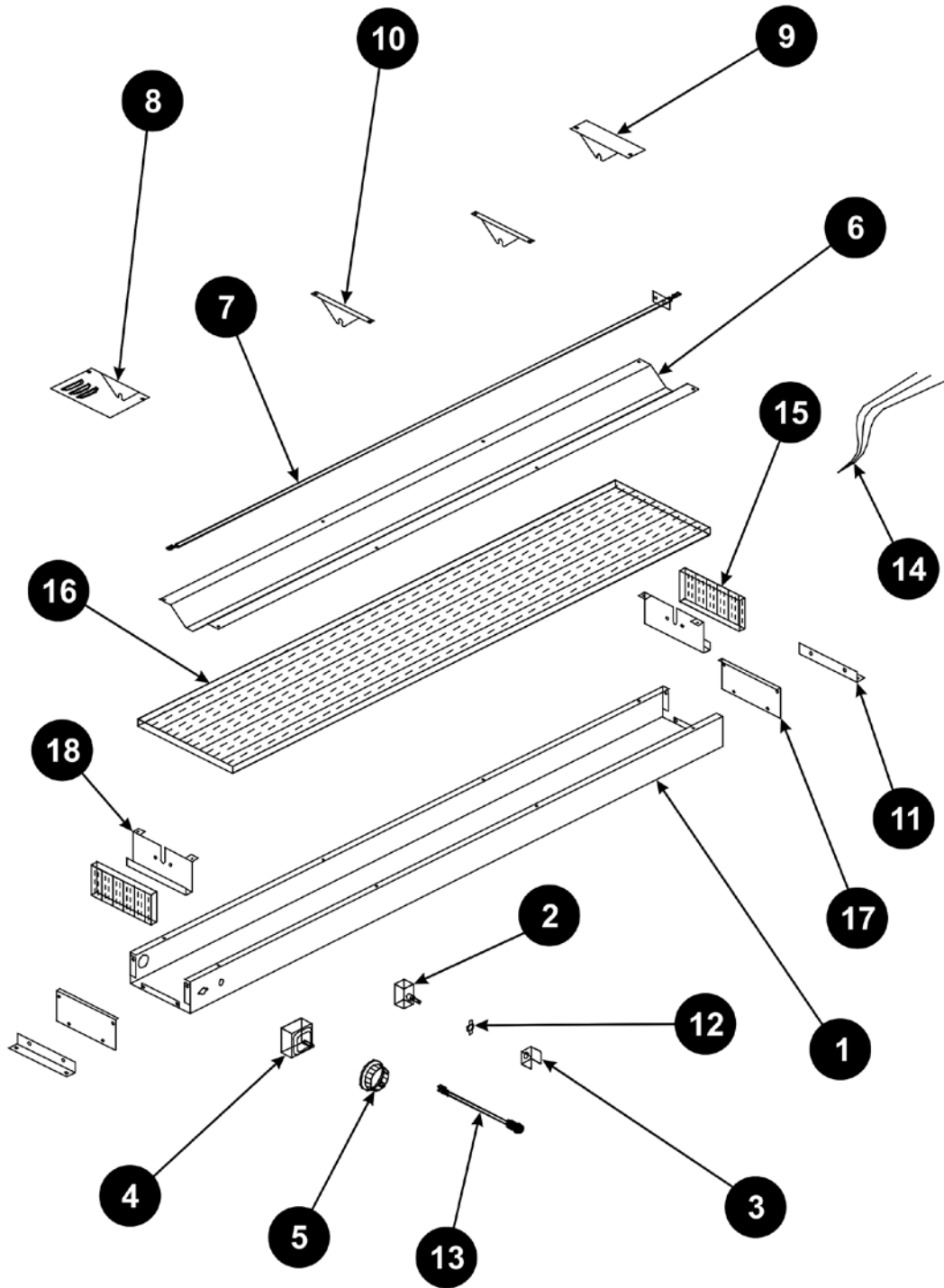
For complete style and option designation:

Add one suffix from each following categories after the model and length

Wattage	Voltage	Switch
H=High Wattage	1=120V	I=Infinite Control
L=Low Wattage	2=208V	T=Toggle Switch
	3=240V	R=Remote Control/Switch

Example: A warmer, 48" long, high wattage, 208v, with infinite control = OH48H2I

EXPLODED VIEW - FD18 THRU FD-72



FD18 Thru 72 Overhead Warmers

Item	Part NO.	Description	Item	Part NO.	Description
1	76835	HOUSING FD18		75859	ELEMENT FD42 240V 675W
	76836	HOUSING FD24		75806	ELEMENT FD48 120V 1265W
	76837	HOUSING FD30		75807	ELEMENT FD48 208V 1265W
	76838	HOUSING FD36		75808	ELEMENT FD48 240V 1265W
	76839	HOUSING FD42		75860	ELEMENT FD48 120V 800W
	76840	HOUSING FD48		75861	ELEMENT FD48 208V 800W
	76841	HOUSING FD54		75862	ELEMENT FD48 240V 800W
	76842	HOUSING FD60		75823	ELEMENT FD54 120V 1425W
	76843	HOUSING FD66		75824	ELEMENT FD54 208V 1425W
	76844	HOUSING FD72		75825	ELEMENT FD54 240V 1425W
			75863	ELEMENT FD54 120V 925W	
			75864	ELEMENT FD54 208V 925W	
2	67005	TOGGLE SWITCH		75865	ELEMENT FD54 240V 925W
3	76100	SWITCH GUARD		75817	ELEMENT FD60 120V 1600W
4	55564-EGO	INFINITE CONTROL 120V		75809	ELEMENT FD60 208V 1610W
	87054-EGO	INFINITE CONTROL 208V		75810	ELEMENT FD60 240V 1610W
	87053-EGO	INFINITE CONTROL 240V		75866	ELEMENT FD60 120V 1050W
5	55825	KNOB		75867	ELEMENT FD60 208V 1050W
6	76805	REFLECTOR FD18		75868	ELEMENT FD60 240V 1050W
	76806	REFLECTOR FD24		75826	ELEMENT FD66 208V 1800W
	76807	REFLECTOR FD30		75827	ELEMENT FD66 240V 1800W
	76808	REFLECTOR FD36		75869	ELEMENT FD66 208V 1160W
	76809	REFLECTOR FD42		75870	ELEMENT FD66 240V 1160W
	76810	REFLECTOR FD48		75811	ELEMENT FD72 208V 1980W
	76811	REFLECTOR FD54		75812	ELEMENT FD72 240V 1980W
	76812	REFLECTOR FD60		75871	ELEMENT FD72 208V 1275W
	76813	REFLECTOR FD66		75872	ELEMENT FD72 240V 1275W
	76814	REFLECTOR FD72			
7	75801	ELEMENT FD18 120V 400W			
	75833	ELEMENT FD18 208V 400W	8	76801	COVER LARGE RH
	75830	ELEMENT FD18 240V 400W	9	76802	COVER SMALL
	75851	ELEMENT FD18 120V 250W	10	76106	ELEMENT GUARD
	75873	ELEMENT FD18 208V 250W	11	76955	MOUNTING BRACKET
	75874	ELEMENT FD18 240V 320W	12	67003	ON-OFF PLATE
	75461	ELEMENT FD24 120V 575W	13	56530	PILOT LIGHT
	75813	ELEMENT FD24 208V 575W	14		WIRE SET: SPECIFY MODEL NO.
	75814	ELEMENT FD24 240V 575W	15	76189	INSULATION FD18 THRU FD72
	75852	ELEMENT FD24 120V 350W	16	76190	INSULATION FD18
	75875	ELEMENT FD24 208V 350W		76191	INSULATION FD24
	75876	ELEMENT FD24 240V 350W		76192	INSULATION FD30
	75802	ELEMENT FD30 120V 760W		76193	INSULATION FD36
	75820	ELEMENT FD30 208V 760W		76194	INSULATION FD42
	75831	ELEMENT FD30 240V 760W		76195	INSULATION FD48
	75853	ELEMENT FD30 120V 450W		76196	INSULATION FD54
	75877	ELEMENT FD30 208V 450W		76197	INSULATION FD60
	75878	ELEMENT FD30 240V 450W		76198	INSULATION FD66
	75803	ELEMENT FD36 120V 920W		76199	INSULATION FD72
	75804	ELEMENT FD36 208V 920W	17	76803	END PLATE
	75805	ELEMENT FD36 240V 920W	18	76804	ELEMENT SUPPORT
	75854	ELEMENT FD36 120V 575W			
	75855	ELEMENT FD36 208V 575W		Parts Not Shown	
	75856	ELEMENT FD36 240V 575W		58004	SELF RETAINING FASTENER
	75819	ELEMENT FD42 120V 1100W		89087	8-32 X 3/16 MACHINE SCREW
	75821	ELEMENT FD42 208V 1100W		88993	10-32 X 3/8 NYLOCK MACHINE
	75822	ELEMENT FD42 240V 1100W		88909	8-18 X 3/8 SHEET METAL (AB)
	75857	ELEMENT FD42 120V 675W		89059	#10 EXTERNAL LOCKWASHER
	75858	ELEMENT FD42 208V 675W		88961	10-24 HEX NUT GREEN-GROUND

Model "FDL" Overhead Warmers Replacement Parts Catalog
 FDL Followed By 18, 24, 30, 36, 42, 48, 54, 60, 66, or 72

Model	Volts	High Wattage	Low Wattage	Model	Volts	High Wattage	Low Wattage
FDL18	120	480	330	FDL54	120	1585	1085
	208	462	312		208	1549	1049
	230	441	368		230	1456	997
	240	480	400		240	1585	1085
FDL24	120	655	430	FDL60	120	1840	1290
	208	637	412		208	1796	1236
	230	602	395		230	1700	1185
	240	655	430		240	1850	1290
FDL30	120	840	530	FDL66	208	1986	1346
	208	822	512		230	1874	1286
	230	772	487		240	2040	1400
	240	840	530	FDL72	208	2166	1461
FDL36	120	1080	735		230	2039	1392
	208	1044	699		240	2220	1515
	230	992	676				
	240	1080	735				
FDL42	120	1260	835				
	208	1224	799				
	230	1158	767				
	240	1260	835				
FDL48	120	1425	960				
	208	1389	924				
	230	1309	882				
	240	1425	960				

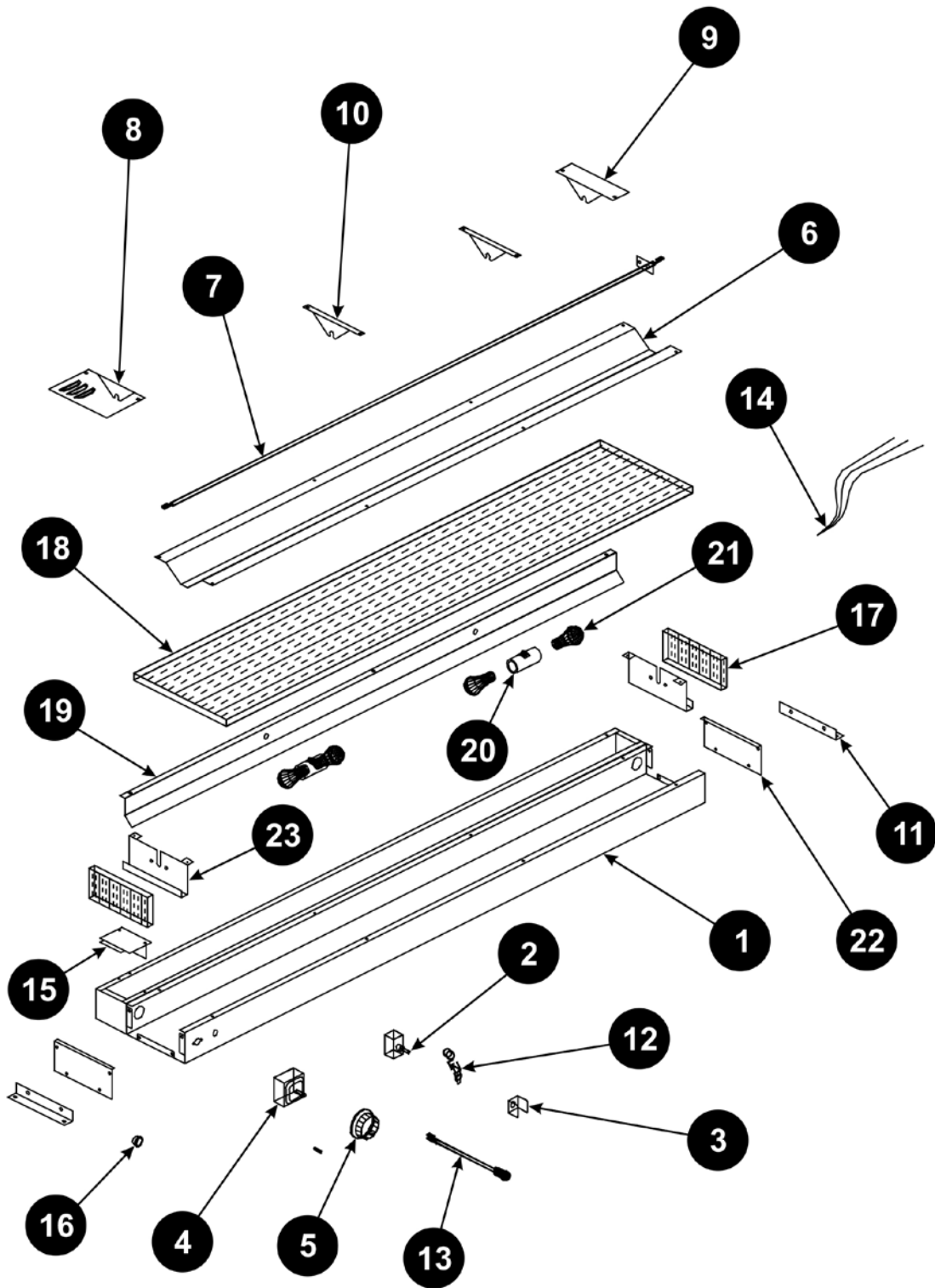
For complete style and option designation:

Add one suffix from each following categories after the model and length

Wattage	Voltage	Switch
H=High Wattage	1=120V	I=Infinite Control
L=Low Wattage	2=208V	T=Toggle Switch
	3=240V	R=Remote Control/Switch

Example: A lighted warmer, 48" long, high wattage, 208v, with infinite control = OHL48H2I

EXPLODED VIEW - FDL18 THRU FDL-72



FDL18 Thru 72 Lighted Overhead Warmers

Item	Part NO.	Description	Item	Part NO.	Description	
1	76845	HOUSING FDL18		75824	ELEMENT FD54 208V 1425W	
	76846	HOUSING FDL24		75825	ELEMENT FD54 240V 1425W	
	76847	HOUSING FDL30		75863	ELEMENT FD54 120V 925W	
	76848	HOUSING FDL36		75864	ELEMENT FD54 208V 925W	
	76849	HOUSING FDL42		75865	ELEMENT FD54 240V 925W	
	76850	HOUSING FDL48		75817	ELEMENT FD60 120V 1600W	
	76851	HOUSING FDL54		75809	ELEMENT FD60 208V 1610W	
	76852	HOUSING FDL60		75810	ELEMENT FD60 240V 1610W	
	76853	HOUSING FDL66		75866	ELEMENT FD60 120V 1050W	
	76854	HOUSING FDL72		75867	ELEMENT FD60 208V 1050W	
			75868	ELEMENT FD60 240V 1050W		
			75826	ELEMENT FD66 208V 1800W		
2	67004	TOGGLE SWITCH		75827	ELEMENT FD66 240V 1800W	
3	76100	SWITCH GUARD		75869	ELEMENT FD66 208V 1160W	
4	55564-EGO	INFINITE CONTROL 120V		75870	ELEMENT FD66 240V 1160W	
	87054-EGO	INFINITE CONTROL 208V		75811	ELEMENT FD72 208V 1980W	
	87053-EGO	INFINITE CONTROL 240V		75812	ELEMENT FD72 240V 1980W	
5	55825	KNOB		75871	ELEMENT FD72 208V 1275W	
6	76805	REFLECTOR FD18		75872	ELEMENT FD72 240V 1275W	
	76806	REFLECTOR FD24				
	76807	REFLECTOR FD30				
	76808	REFLECTOR FD36				
	76809	REFLECTOR FD42				
	76810	REFLECTOR FD48	8	76801	COVER LARGE	
	76811	REFLECTOR FD54	9	76802	COVER SMALL	
	76812	REFLECTOR FD60	10	76106	ELEMENT GUARD	
	76813	REFLECTOR FD66	11	76955	MOUNTING BRACKET	
	76814	REFLECTOR FD72	12	67003	ON-OFF PLATE	
		13	56530	PILOT LIGHT		
		14		WIRE SET: SPECIFY MODEL NO.		
7	75801	ELEMENT FD18 120V 400W	15	76159	END COVER RH DL	
	75833	ELEMENT FD18 208V 400W	16	89182	SNAP-IN BUSHING	
	75830	ELEMENT FD18 240V 400W	17	76189	INSULATION FD18 THRU FD72	
	75851	ELEMENT FD18 120V 250W	18	76190	INSULATION FD18	
	75873	ELEMENT FD18 208V 250W		76191	INSULATION FD24	
	75874	ELEMENT FD18 240V 320W		76192	INSULATION FD30	
	75461	ELEMENT FD24 120V 575W		76193	INSULATION FD36	
	75813	ELEMENT FD24 208V 575W		76194	INSULATION FD42	
	75814	ELEMENT FD24 240V 575W		76195	INSULATION FD48	
	75852	ELEMENT FD24 120V 350W		76196	INSULATION FD54	
	75875	ELEMENT FD24 208V 350W		76197	INSULATION FD60	
	75876	ELEMENT FD24 240V 350W		76198	INSULATION FD66	
	75802	ELEMENT FD30 120V 760W		76199	INSULATION FD72	
	75820	ELEMENT FD30 208V 760W		19	76211	LIGHT SUPPORT DL18
	75831	ELEMENT FD30 240V 760W			76212	LIGHT SUPPORT DL24
	75853	ELEMENT FD30 120V 450W			76213	LIGHT SUPPORT DL30
	75877	ELEMENT FD30 208V 450W			76214	LIGHT SUPPORT DL36
	75878	ELEMENT FD30 240V 450W			76215	LIGHT SUPPORT DL42
	75803	ELEMENT FD36 120V 920W			76216	LIGHT SUPPORT DL48
	75804	ELEMENT FD36 208V 920W			76217	LIGHT SUPPORT DL54
	75805	ELEMENT FD36 240V 920W			76218	LIGHT SUPPORT DL60
	75854	ELEMENT FD36 120V 575W	76219		LIGHT SUPPORT DL66	
	75855	ELEMENT FD36 208V 575W	76220		LIGHT SUPPORT DL72	
	75856	ELEMENT FD36 240V 575W				
	75819	ELEMENT FD42 120V 1100W				
	75821	ELEMENT FD42 208V 1100W	20	75917	TWIN LAMPHOLDER	
	75822	ELEMENT FD42 240V 1100W	21	75916	COATED LIGHT BULB 120V 40W	
	75857	ELEMENT FD42 120V 675W		76874	COATED LIGHT BULB 240V 40W	
	75858	ELEMENT FD42 208V 675W	22	76803	END PLATE	
	75859	ELEMENT FD42 240V 675W	23	76804	ELEMENT SUPPORT	
	75806	ELEMENT FD48 120V 1265W	Parts Not Shown			
	75807	ELEMENT FD48 208V 1265W		58004	SELF RETAINING FASTENER	
	75808	ELEMENT FD48 240V 1265W		89087	8-32 X 3/16 MACHINE SCREW	
	75860	ELEMENT FD48 120V 800W		88993	10-32 X 3/8 NYLOCK MACHINE	
	75861	ELEMENT FD48 208V 800W		88909	8-18 X 3/8 SHEET METAL (AB)	
	75862	ELEMENT FD48 240V 800W		89059	#10 EXTERNAL LOCKWASHER	
	75823	ELEMENT FD54 120V 1425W		88961	10-24 HEX NUT GREEN-GROUND	

Model “FDD” or “FDDL” Dual Overhead Warmers Replacement Parts Catalog
 FDD or FDDL Followed By 18, 24, 30, 36, 42, 48, 54, 60, 66, or 72

Length	High Wattage Units		Low Wattage Units	
	FDD Series	FDDL Series	FDD Series	FDDL Series
18	120V 800W	120V 880W	120V 500W	120V 580W
18	208V 800W	208V 862W	208V 500W	208V 562W
18	230V 735W	230V 809W	230V 588W	230V 662W
18	240V 800W	240V 880W	240V 640W	240V 720W
24	120V 1150W	120V 1230W	120V 700W	120V 780W
24	208V 1150W	208V 1212W	208V 700W	208V 762W
24	230V 1057W	230V 1130W	230V 643W	230V 717W
24	240V 1150W	240V 1230W	240V 700W	240V 780W
30	120V 1520W	120V 1600W	120V 900W	120V 980W
30	208V 1520W	208V 1582W	208V 900W	208V 962W
30	230V 1396W	230V 1470W	230V 827W	230V 901W
30	240V 1520W	240V 1600W	240V 900W	240V 980W
36	120V 1840W	120V 2000W	120V 1150W	120V 1310W
36	208V 1840W	208V 1964W	208V 1150W	208V 1274W
36	230V 1690W	230V 1837W	230V 1057W	230V 1204W
36	240V 1840W	240V 2000W	240V 1150W	240V 1310W
42	120V 2200W	120V 2360W	120V 1350W	120V 1510W
42	208V 2200W	208V 2324W	208V 1350W	208V 1474W
42	230V 2021W	230V 2168W	230V 1240W	230V 1387W
42	240V 2200W	240V 2360W	240V 1350W	240V 1510W
48	120V 2530W	120V 2690W	120V 1600W	120V 1760W
48	208V 2530W	208V 2654W	208V 1600W	208V 1724W
48	230V 2324W	230V 2471W	230V 1470W	230V 1617W
48	240V 2530W	240V 2690W	240V 1600W	240V 1760W
54	120V 2850W	120V 3010W	120V 1850W	120V 2010W
54	208V 2850W	208V 2974W	208V 1850W	208V 1974W
54	230V 2618W	230V 2765W	230V 1700W	230V 1846W
54	240V 2850W	240V 3010W	240V 1850W	240V 2010W
60	120V 3200W	120V 3440W	120V 2100W	120V 2340W
60	208V 3220W	208V 3406W	208V 2100W	208V 2286W
60	230V 2958W	230V 3178W	230V 1929W	230V 2150W
60	240V 3220W	240V 3460W	240V 2100W	240V 2340W
66	208V 3600W	208V 3786W	208V 2320W	208V 2506W
66	230V 3307W	230V 3527W	230V 2131W	230V 2352W
66	240V 3600W	240V 3840W	240V 2320W	240V 2560W
72	208V 3960W	208V 4146W	208V 2550W	208V 2736W
72	230V 3637W	230V 3858W	230V 2342W	230V 2563W
72	240V 3960W	240V 4200W	240V 2550W	240V 2790W

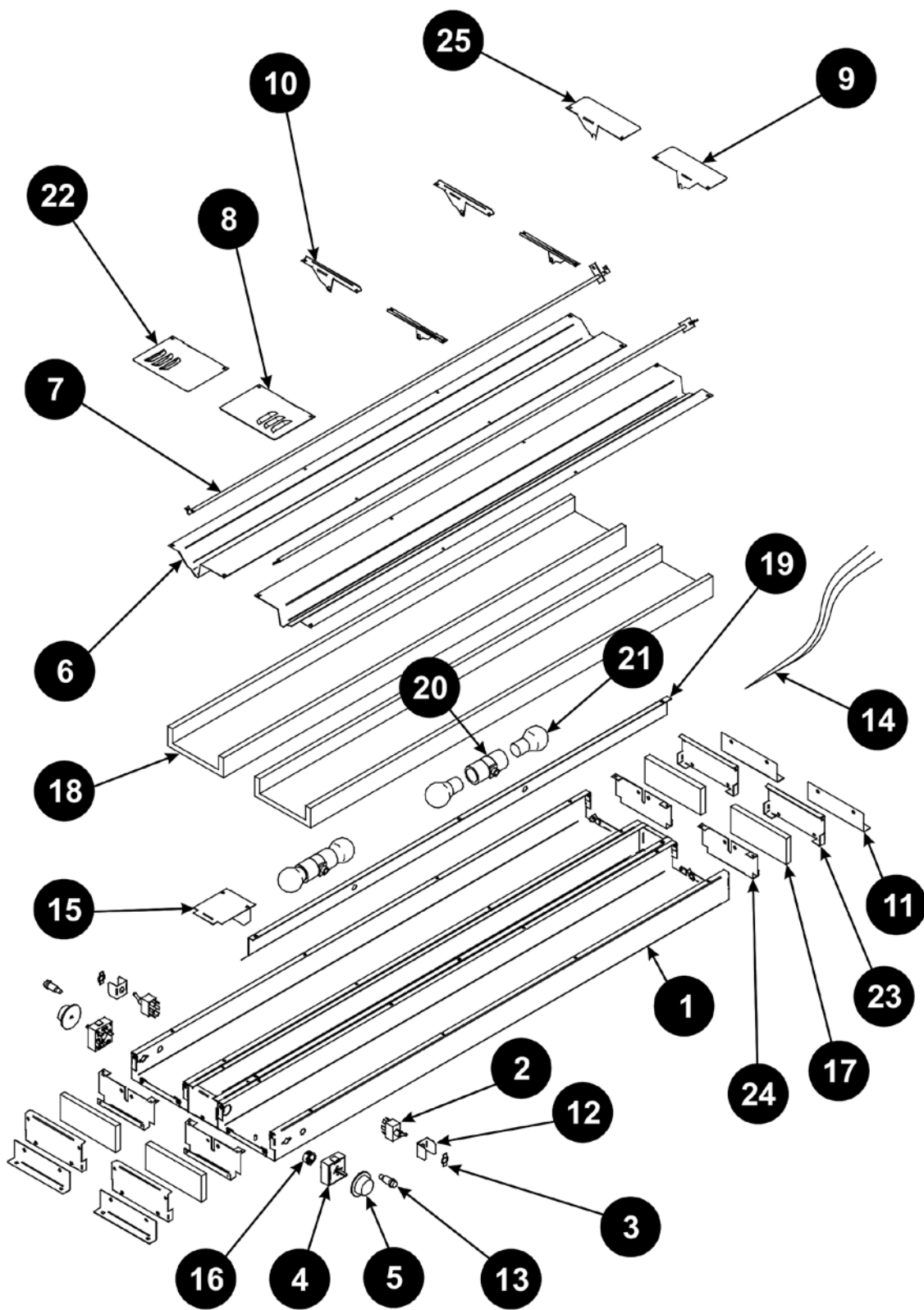
For complete style and option designation:

Add one suffix from each following categories after the model and length

Wattage	Voltage	Switch
H=High Wattage	1=120V	I=Infinite Control
L=Low Wattage	2=208V	T=Toggle Switch
	3=240V	R=Remote Control/Switch

Example: A lighted dual warmer, 48” long, high wattage, 208v, with toggle switch = OHDL48H2T

EXPLODED VIEW – FDD OR FDDL18 THRU FDD OR FDDL-72



FDDL-REV112001.dft

FDD or FDDL18 Thru 72 Overhead Warmers

Item	Part NO.	Description	Item	Part NO.	Description
1	76855	HOUSING FDD/FDDL18		75863	ELEMENT FD54 120V 925W
	76856	HOUSING FDD/FDDL24		75864	ELEMENT FD54 208V 925W
	76857	HOUSING FDD/FDDL30		75865	ELEMENT FD54 240V 925W
	76858	HOUSING FDD/FDDL36		75817	ELEMENT FD60 120V 1600W
	76859	HOUSING FDD/FDDL42		75809	ELEMENT FD60 208V 1610W
	76860	HOUSING FDD/FDDL48		75810	ELEMENT FD60 240V 1610W
	76861	HOUSING FDD/FDDL54		75866	ELEMENT FD60 120V 1050W
	76862	HOUSING FDD/FDDL60		75867	ELEMENT FD60 208V 1050W
	76863	HOUSING FDD/FDDL66		75868	ELEMENT FD60 240V 1050W
	76864	HOUSING FDD/FDDL72		75826	ELEMENT FD66 208V 1800W
			75827	ELEMENT FD66 240V 1800W	
			75869	ELEMENT FD66 208V 1160W	
2	67004	TOGGLE SWITCH		75870	ELEMENT FD66 240V 1160W
3	76100	SWITCH GUARD		75811	ELEMENT FD72 208V 1980W
4	55564-EGO	INFINITE CONTROL 120V		75812	ELEMENT FD72 240V 1980W
	87054-EGO	INFINITE CONTROL 208V		75871	ELEMENT FD72 208V 1275W
	87053-EGO	INFINITE CONTROL 240V		75872	ELEMENT FD72 240V 1275W
5	55825	KNOB			
6	76985	REFLECTOR FD18 DIRECTED			
	76986	REFLECTOR FD24 DIRECTED			
	76987	REFLECTOR FD30 DIRECTED			
	76988	REFLECTOR FD36 DIRECTED	8	77151	COVER LARGE RH
	76989	REFLECTOR FD42 DIRECTED	9	77155	COVER SMALL RH
	76990	REFLECTOR FD48 DIRECTED	10	77157	ELEMENT GUARD
	76991	REFLECTOR FD54 DIRECTED	11	76955	MOUNTING BRACKET
	76992	REFLECTOR FD60 DIRECTED	12	67003	ON-OFF PLATE
	76993	REFLECTOR FD66 DIRECTED	13	56530	PILOT LIGHT
	76994	REFLECTOR FD72 DIRECTED	14		WIRE SET: SPECIFY MODEL NO.
		15	76159	END COVER RH DL	
		16	89182	SNAP-IN BUSHING	
7	75801	ELEMENT FD18 120V 400W		76189	INSULATION FD18 THRU FD72
	75833	ELEMENT FD18 208V 400W	18	76190	INSULATION FD18
	75830	ELEMENT FD18 240V 400W		76191	INSULATION FD24
	75851	ELEMENT FD18 120V 250W		76192	INSULATION FD30
	75873	ELEMENT FD18 208V 250W		76193	INSULATION FD36
	75874	ELEMENT FD18 240V 320W		76194	INSULATION FD42
	75461	ELEMENT FD24 120V 575W		76195	INSULATION FD48
	75813	ELEMENT FD24 208V 575W		76196	INSULATION FD54
	75814	ELEMENT FD24 240V 575W		76197	INSULATION FD60
	75852	ELEMENT FD24 120V 350W		76198	INSULATION FD66
	75875	ELEMENT FD24 208V 350W		76199	INSULATION FD72
	75876	ELEMENT FD24 240V 350W	19	76211	LIGHT SUPPORT DL18
	75802	ELEMENT FD30 120V 760W		76212	LIGHT SUPPORT DL24
	75820	ELEMENT FD30 208V 760W		76213	LIGHT SUPPORT DL30
	75831	ELEMENT FD30 240V 760W		76214	LIGHT SUPPORT DL36
	75853	ELEMENT FD30 120V 450W		76215	LIGHT SUPPORT DL42
	75877	ELEMENT FD30 208V 450W		76216	LIGHT SUPPORT DL48
	75878	ELEMENT FD30 240V 450W		76217	LIGHT SUPPORT DL54
	75803	ELEMENT FD36 120V 920W		76218	LIGHT SUPPORT DL60
	75804	ELEMENT FD36 208V 920W		76219	LIGHT SUPPORT DL66
	75805	ELEMENT FD36 240V 920W		76220	LIGHT SUPPORT DL72
	75854	ELEMENT FD36 120V 575W			
	75855	ELEMENT FD36 208V 575W			
	75856	ELEMENT FD36 240V 575W	20	75917	TWIN LAMPHOLDER
	75819	ELEMENT FD42 120V 1100W	21	75916	COATED LIGHT BULB 120V 40W
	75821	ELEMENT FD42 208V 1100W		76874	COATED LIGHT BULB 240V 40W
	75822	ELEMENT FD42 240V 1100W	22	77152	COVER LARGE LH
	75857	ELEMENT FD42 120V 675W	23	76803	END PLATE
	75858	ELEMENT FD42 208V 675W	24	77158	ELEMENT SUPPORT
	75859	ELEMENT FD42 240V 675W	25	77156	COVER SMALL LH
75806	ELEMENT FD48 120V 1265W	Parts Not Shown			
75807	ELEMENT FD48 208V 1265W		58004	SELF RETAINING FASTENER	
75808	ELEMENT FD48 240V 1265W		89087	8-32 X 3/16 MACHINE SCREW	
75860	ELEMENT FD48 120V 800W		88993	10-32 X 3/8 NYLOCK MACHINE	
75861	ELEMENT FD48 208V 800W		88909	8-18 X 3/8 SHEET METAL (AB)	
75862	ELEMENT FD48 240V 800W		89059	#10 EXTERNAL LOCKWASHER	
75823	ELEMENT FD54 120V 1425W		88961	10-24 HEX NUT GREEN-GROUND	
75824	ELEMENT FD54 208V 1425W		46877	1/8-27 X 3/4 NIPPLE	
75825	ELEMENT FD54 240V 1425W		46876	1/8-27 NUT	

APW Wyott EQUIPMENT LIMITED WARRANTY

APW Wyott Foodservice Equipment Company warrants its equipment against defects in materials and workmanship, subject to the following conditions:

This warranty applies to the original owner only and is not assignable.

Should any product fail to function in its intended manner under normal use within the limits defined in this warranty, at the option of APW Wyott such product will be repaired or replaced by APW Wyott or its Authorized Service Agency. APW Wyott will only be responsible for charges incurred or service performed by its Authorized Service Agencies. The use of other than APW Wyott Authorized Service Agencies will void this warranty and APW Wyott will not be responsible for such work or any charges associated with same. The closest APW Wyott Authorized Service Agent must be used.

This warranty covers products shipped into the 48 contiguous United States, Hawaii, metropolitan areas of Alaska and Canada. There will be no labor coverage for equipment located on any island not connected by roadway to the mainland.

Warranty coverage on products used outside the 48 contiguous United States, Hawaii, and metropolitan areas of Alaska and Canada may vary. Contact the international APW Wyott distributor, dealer, or service agency for details.

Time Period

One year for parts and one year for labor, effective from the date of purchase by the original owner. The Authorized Service Agency may, at their option, require proof of purchase. Parts replaced under this warranty are warranted for the un-expired portion of the original product warranty only.

Exceptions

- * Gas/Electric Cookline: Models GCB, GCRB, GF, GGM, GGT, CHP-H, EF, EG, EHP. Three (2) Year Warranty on all component parts, except switches and thermostats. (2 additional years on parts only.)
- * Broiler Briquettes, Rock Grates, Cooking Grates, Burner Shields, Fireboxes: 90 Day Material Only. No Labor.
- * Heat Strips: Models FD, FDL, FDD, FDDL. Two (2) Year Warranty on element only. No labor second year.
- * Glass Windows, Doors, Seals, Rubber Seals, Light Bulbs: 90 Day Material Only. No Labor.

In all cases, parts covered by extended warranty will be shipped FOB the factory after the first year.

Portable Carry In Products

Equipment weighing over 70 pounds or permanently installed will be serviced on-site as per the terms of this warranty. Equipment weighing 70 pounds or under, and which is not permanently installed, i.e. with cord and plug, is considered portable and is subject to the following warranty handling limitations. If portable equipment fails to operate in its intended manner on the first day of connection, or use, at APW Wyott's option or its Authorized Service Agency, it will be serviced on site or replaced.

From day two through the conclusion of this warranty period, portable units must be taken to or sent prepaid to the APW Wyott Authorized Service Agency for in-warranty repairs. No mileage or travel charges are allowed on portable units after the first day of use. If the customer wants on-site service, they may receive same by paying the travel and mileage charges. Exceptions to this rule: (1) countertop warmers and cookers, which are covered under the Enhanced Warranty Program, and (2) toasters or rollergrills which have in store service.

Exclusions

The following conditions are not covered by warranty:

- * Equipment failure relating to improper installation, improper utility connection or supply and problems due to ventilation.
- * Equipment that has not been properly maintained, calibration of controls, adjustments, damage from improper cleaning and water damage to controls.
- * Equipment that has not been used in an appropriate manner, or has been subject to misuse or misapplication, neglect, abuse, accident, alteration, negligence, damage during transit, delivery or installation, fire, flood, riot or act of god.
- * Equipment that has the model number or serial number removed or altered.

If the equipment has been changed, altered, modified or repaired by other than an Authorized Service Agency during or after the warranty period, then the manufacturer shall not be liable for any damages to any person or to any property, which may result from the use of the equipment thereafter.

This warranty does not cover services performed at overtime or premium labor rates. Should service be required at times which normally involve overtime or premium labor rates, the owner shall be charged for the difference between normal service rates and such premium rates. APW Wyott does not assume any liability for extended delays in replacing or repairing any items beyond its control.

In all cases, the use of other than APW Wyott Authorized OEM Replacement Parts will void this warranty.

This equipment is intended for commercial use only. Warranty is void if equipment is installed in other than commercial application.

Water Quality Requirements

Water supply intended for a unit that has in excess of 3.0 grains of hardness per gallon (GPG) must be treated or softened before being used. Water containing over 3.0 GPG will decrease the efficiency and reduce the operation life of the unit.

Note: Product failure caused by liming or sediment buildup is not covered under warranty.

“THE FOREGOING WARRANTY IS IN LIEU OF ANY AND ALL OTHER WARRANTIES EXPRESSED OR IMPLIED INCLUDING ANY IMPLIED WARRANTY OF MERCHANTABILITY OR FITNESS FOR PARTICULAR PURPOSES AND CONSTITUTES THE ENTIRE LIABILITY OF APW WYOTT. IN NO EVENT DOES THE LIMITED WARRANTY EXTEND BEYOND THE TERMS STATED HEREIN.”

9/05