



Project Name: _____

Location: _____

Item #: _____ Qty: _____

Model: _____

ICE STORAGE BINS

MODEL: BIN650 BIN950



BIN650



BIN950

The Maxx Ice family of ice bins are available in multiple models to fit your ice storage capacity needs, and are designed to fit perfectly with Maxx Ice modular 30" Ice machines as well as similar sized commercial machines.

FEATURES AND CONSTRUCTION

- Stainless steel exterior
- Storage lid is stainless steel for easy access and will withstand heavy use
- Replaceable gasket seals door opening to reduce ice meltage
- Extra large, low lid opening for easy access to ice and easier bin cleaning
- Non-corroding polyethylene-lined walls help to eliminate pitting and staining
- 6" adjustable leveling legs
- 3/4" drain hookup
- Each unit supplied with adapter plate to fit any ice machine

MAXIMUM STORAGE CAPACITY

| | |
|--------------|------------------|
| BIN650 | 660 lbs (299 kg) |
| BIN950 | 950 lbs (431 kg) |

COMPATIBLE MAXX ICE MODELS*

BIN650 / BIN 950 (30" Width):

- MIM452
- MIM475H
- MIM600
- MIM615H
- MIM915H
- MIM1000

*BIN Series bins will accomodate any similarly sized ice machine from any manufacturer

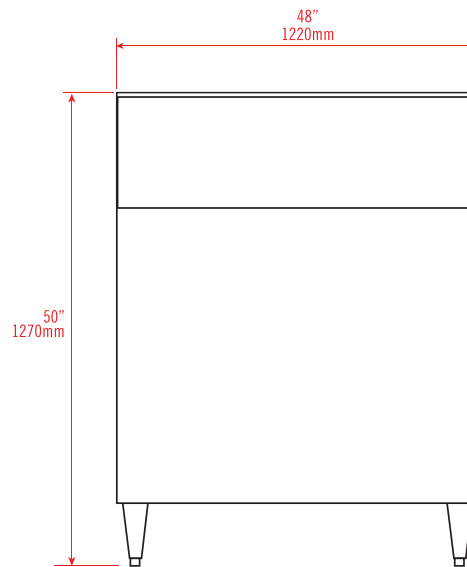
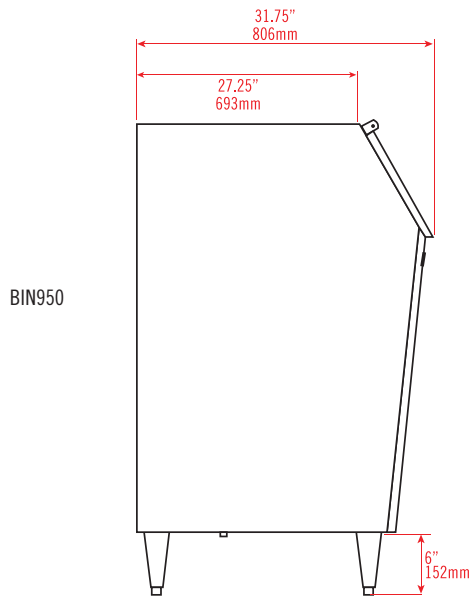
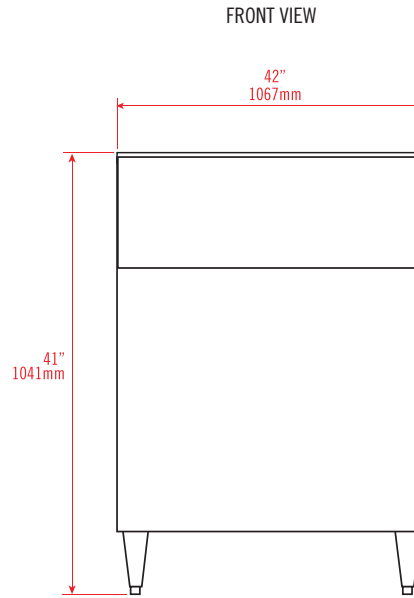
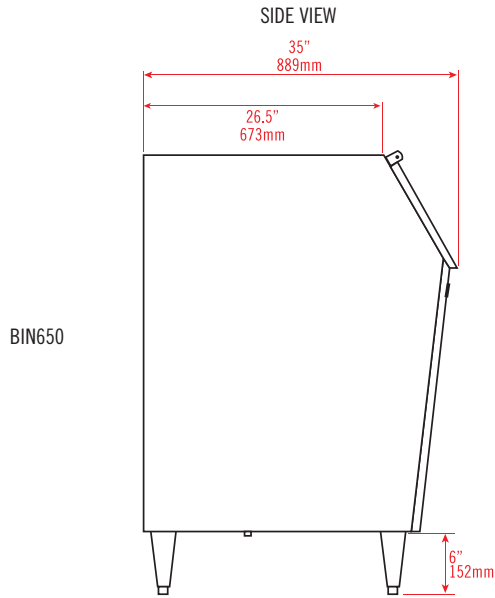
3RD PARTY APPROVALS



Certified to ANSI NSF 12

MAXX ICE WARRANTY (USA / CANADA)

Contact Maxx Ice for warranty statement at TechnicalServices@TheLegacyCompanies.com or 877.368.2797



| MODEL | EXTERNAL DIMENSIONS | MAXIMUM ICE STORAGE CAPACITY | AHRI CAPACITY | SHIPPING WEIGHT | DRIAN LINE CONNECTION |
|--------|--|------------------------------|------------------|-----------------|-----------------------|
| BIN650 | 42" x 35" x 41" (1067 x 889 x 1041 mm) | 660 lbs (181 kg) | 528 lbs (239 kg) | 160 lbs (73 kg) | 3/4" |
| BIN950 | 48" x 31.75" x 50" (1220 x 806 x 1270 mm) | 950 lbs (431 kg) | 760 lbs (345 kg) | 210 lbs (95 kg) | 3/4" |

INSTALLATION

- Designed to fit perfectly with Maxx Ice Modular Ice Machines and most other commercial modular ice machines.
- A gravity drain line is required to install these ice bins