



KM-161BAJ

**SELF-CONTAINED CUBER
WITH BUILT-IN STORAGE BIN**



KM-161BAJ
06/26/19
Item # 13551

Item #: _____
Project: _____
Qty: _____
AIA#: _____

W x D x H
23^{3/4}" x 28" x 39"*
*including 6" legs

ADA Compliant

**KM Edge
DESIGN**

KM-161BAJ
Air-Cooled



Features

- ▶ Individual crescent cube
- ▶ Stainless steel evaporator
- ▶ CycleSaver™ design

- Up to 163 lbs. of ice production per 24 hours
- Built-in storage capacity of 2.6ft³/78 lbs.*
- Durable stainless steel exterior
- Front-in, front-out airflow with removable air filter
- Slide in door
- 6.5 ft. (2000 mm) power cord with NEMA 5-15P plug
- Power switch accessible without panel removal
- Built-in installation possible
- H-GUARD Plus Antimicrobial adds extra protection to the ice scoop (included)
- EverCheck™ alert system
- R-134a Refrigerant

Warranty:

3 Year Parts & Labor on entire machine. 5 Year Parts & Labor on Evaporator. 5 Year Parts on Compressor, air-cooled condenser coil. Valid in United States, Canada, Puerto Rico and U.S. Territories. Contact factory for warranty in other countries.

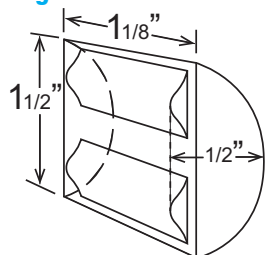
Shipping: (LxWxH) 31" x 27" X 39" Volume: 18.89ft³



ICE PRODUCTION WATER USAGE ELECTRICAL

Condenser	Model	Air / Water Temp		Potable		kWh Used	Min. Circuit	Amperage	Voltage	Heat	Refrigerant	Net / Ship
		Lbs. per 24 hours	70°/50°F	90°/70°F	Gal. per 100 lbs.							
Air-Cooled	KM-161BAJ	163	123	23.0	N/A	8.60	15A	7.1A	115V/60/1	3,050	7.4 oz.	126 / 161

KM Edge Cube Dimensions*



* approximate size in inches, image not to scale

Operating Limits

- Ambient Temp Range 45 - 100°F
- Water Temp Range 45 - 90°F
- Water Pressure 10 - 113 PSIG
- Voltage Range 104 - 127V

Service

- Allow enough space at rear for water supply and drain connections, at least 12" (30 cm) clearance at front and at least 0.6" (15 mm) clearance at top for maintenance.

Plumbing

- Icemaker Water Supply Line: Minimum 1/4" Nominal ID Copper Water Tubing or Equivalent
- Icemaker Drain Line: Minimum 3/4" Nominal ID Hard Pipe or Equivalent

Water Filter

Please refer to water filter spec sheet for recommended configurations.

Hoshizaki reserves the right to change specifications without notice.



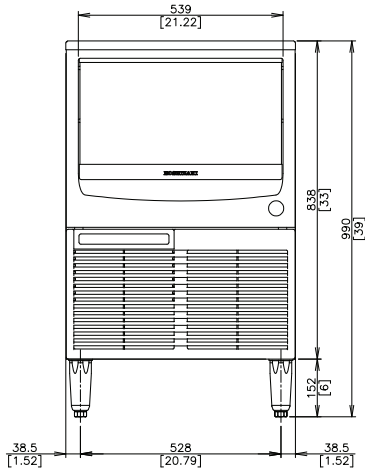
KM-161BAJ

**SELF-CONTAINED CUBER
WITH BUILT-IN STORAGE BIN**



KM-161BAJ
06/26/19
Item # 13551

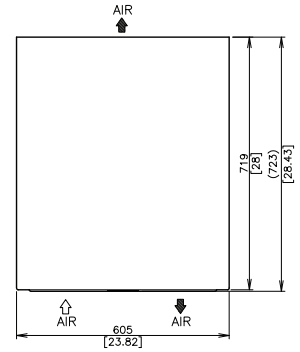
FRONT VIEW



AIR-COOLED

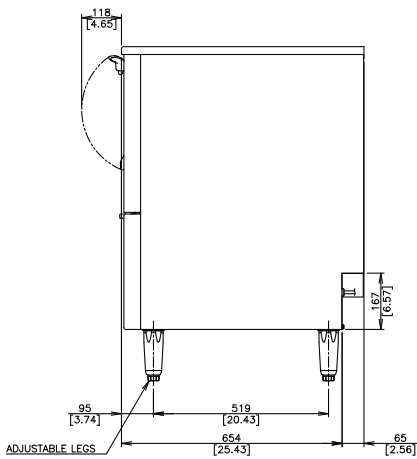
TOP VIEW

mm
[inch]



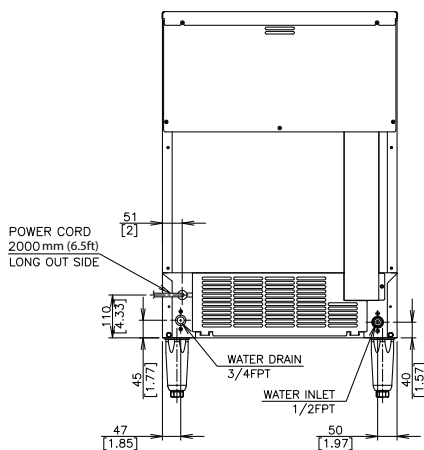
AIR-COOLED

SIDE VIEW



AIR-COOLED

REAR VIEW



AIR-COOLED