

PROJECT:	
MODEL #:	
ITEM #:	QTY:
AVAILABLE W/H:	APPROVAL:

Glass Door Reach-In Refrigerator / Proofer



BSR23G-HC / BSR23GP-HC



BSR49G-HC / BSR49GP-HC

STANDARD FEATURES

Cabinet construction

- Stainless steel cabinet construction
Stainless steel interior and exterior (galvanized steel back & bottom).
- Cyclopentane Insulation – Contains no hydro-fluorocarbons (HFCs) and is environmentally friendly
- Epoxy coated wire shelves with adjustable shelving height.
- 4 shelves per compartment
- Four (4) 4" Diameter swivel casters with front brakes standard.
- Designed to accept full size roll-in racks for bun sheet pan (18" L x 26" D)

Refrigeration

- Hydrocarbon refrigerants (R-290) – increases energy efficiency by up to 25% compared to using HFC refrigerants. It is safer for the environment and does not cause ozone depletion.
- Front sliding refrigeration unit allows unit to be serviced without being moved.
- Self-contained system, bottom mounted compressor provides quick and easy maintenance
- Electrodeposition coated evaporator increases performance by maintaining the heat transfer

rates over the life of the evaporator and reducing potential corrosion.

- Air guard on rear wall ensures proper air circulation and cooling.
- Innovative hot gas frame heating system reduces condensation and increases energy efficiency.
- Refrigerators have a temperature range between 29°F ~ 39°F
- Proofers have a temperature range between 56°F and 59°F
- Standard Fabric condensation

Doors

- Self closing doors (doors close at 90° or less)
- Automatic hold open door feature at 110°
- Durable door gasket with easy replacement.
- Lifetime guaranteed heavy duty all metal door handles. (Ni-Cr Plated)
- Door designed to open easily.
Doors built with pressure relievers to eliminate vacuum pressure and allow easy door opening.
- Standard door locks

Design & Features

- Self-diagnostic digital temperature control & monitor system

Digital display allows for easy monitoring
Digital controls include automatic evaporator fan motor delay.

- Rounded corner design gives a stylish appearance and reduces chances of injury.
- Visual and audible door open alarm, alarm sounds when doors are not completely closed to protect against food spoilage

Lighting

- LED Interior lighting.

Standard

- NSF/ANSI Standard 7 compliant

Connection

- 9 ft long flexible three wire cord with molded plug

Optional Features & Accessories

- 2.5" diameter casters available
- 6" adjustable feet available
- Left hinged door available for single door models
- Additional shelves are available.

WARRANTY

3 Years Parts and Labor
5 Years on Compressor in USA

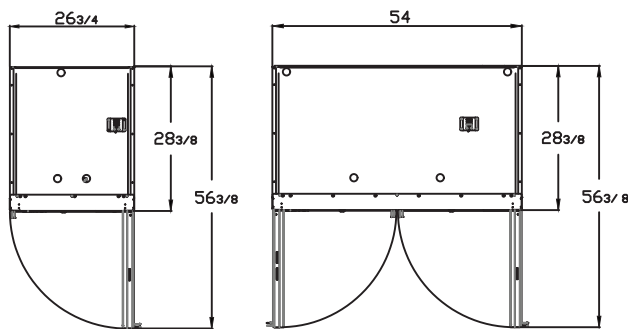
APPROVALS:

AVAILABLE AT:

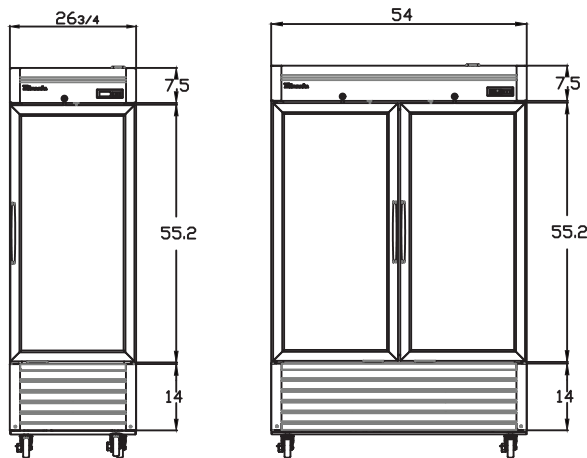
Glass Door Reach-In Refrigerator / Proofer

PRODUCT PLAN VIEW

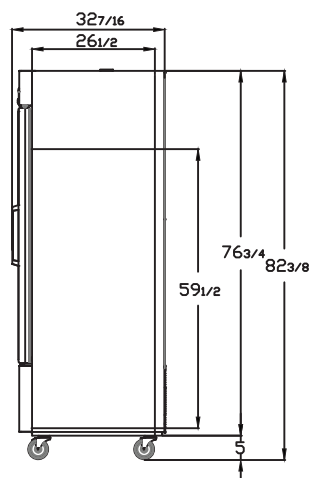
- Top View -



- Front View -



- Side View -



BSR23G-HC
BSR23GP-HC

BSR49G-HC
BSR49GP-HC

PRODUCT SPECIFICATION

Refrigerator

Model	Product Description			Refrigerant	Temperature Range	Easy Maintenance			Cord Length (ft/m)			
	Glass Door Reach-In Refrigerator			R-290	29°F ~ 39°F	Sliding Condensing Unit			9.8ft (3m)			
	Doors	Capacity (Cu.Ft.)	Shelves	Cabinet Dimensions (inches / mm)			HP	Voltage	Amps	NEMA config.	Weight (lbs / kg)	
		L	D	H	Net Weight	Ship Weight						
BSR23G-HC	1	23	4	26 3/4" (681mm)	32 7/16" (823mm)	82 3/8" (2093mm)	1/4+	115V / 60Hz	2.0	NEMA 5-15	271 (123)	306 (139)
BSR49G-HC	2	49	8	54" (1372mm)	32 7/16" (823mm)	82 3/8" (2093mm)	1/2	115V / 60Hz	5.6	NEMA 5-15	467 (212)	503 (228)

Proofer

Model	Product Description			Refrigerant	Temperature Range	Easy Maintenance			Cord Length (ft/m)			
	Glass Door Reach-In Proofer			R-290	56°F ~ 59°F	Sliding Condensing Unit			9.8ft (3m)			
	Doors	Capacity (Cu.Ft.)	Shelves	Cabinet Dimensions (inches / mm)			HP	Voltage	Amps	NEMA config.	Weight (lbs / kg)	
		L	D	H	Net Weight	Ship Weight						
BSR23GP-HC	1	23	4	26 3/4" (681mm)	32 7/16" (823mm)	82 3/8" (2093mm)	1/4+	115V / 60Hz	2.0	NEMA 5-15	271 (123)	306 (139)
BSR49GP-HC	2	49	8	54" (1372mm)	32 7/16" (823mm)	82 3/8" (2093mm)	1/2	115V / 60Hz	5.6	NEMA 5-15	467 (212)	503 (228)

*BLUE AIR has the right to change specifications without further notice.