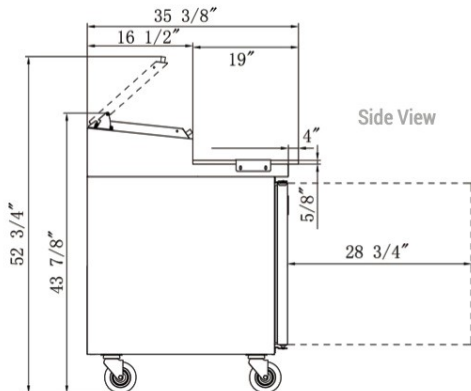
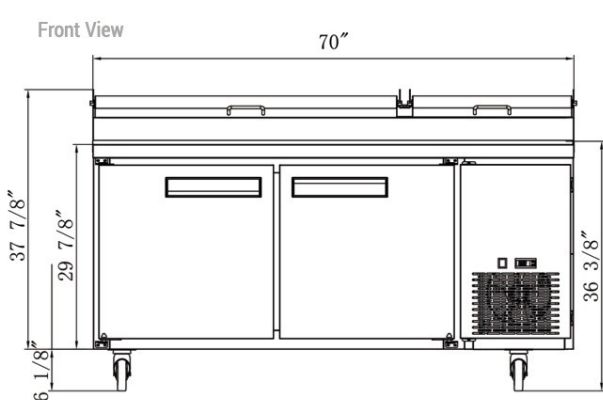
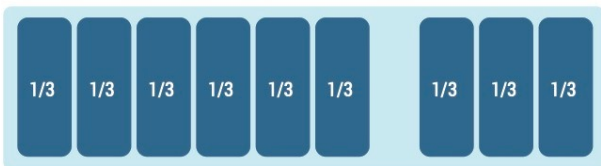


DETAILS & SPECIFICATIONS

PIZZA PREP TABLE DPP70-9-S2



1/3 PAN COUNT: 9



MODEL DPP70-9-S2

Rated Voltage	115V
Rated Frequency	60Hz
Total Input Power	310W
Total Current	2.8A
Total Capacity	17.58 cu ft
Climatic Category	4-5
Protection Type	I
Design Pressure High Side	300 PSIG
Design Pressure Low Side	150 PSIG
Insulation Blowing Gas	C-Pentane
Refrigerant	R290/4.76 oz

MODEL	EXTERNAL DIMENSION WXDXH (INCHES)	PACKAGING DIMENSION WXDXH (INCHES)	PRODUCT NET WEIGHT	# OF SHELVES	40HQ CONTAINER CERT.
DPP70-9-S2	70 x 31 1/2 x 43 7/8	71 3/8 x 35 7/8 x 48 3/8	297 lbs	2	26



115/60/1
NEMA-5-15P



Los Angeles | San Francisco | Dallas
Houston | Florida | Chicago | New Jersey

1-800-931-8628

info@dukersusa.com

www.DukersUSA.com