



Undercounter Ice Maker KCU-80-AB

Durable Design

- Created to endure the every day use of your commercial environment
- Simple plug-in installation
- Fits easily under standard countertops
- High quality construction to ensure reliability, longevity and product durability
- 4.5" adjustable stainless steel feet included (can be adjusted to a height of 6" high)

Energy Efficiency

- High density urethane insulation reduces the ice melting inside the bin
- Improved evaporator freezing surface allowing for increased production and lower operating costs

Superior Quality

- Designed for efficiency and dependability
- Stainless steel exterior for superior resilience to rust
 - * 50Hz model comes in a powder coated exterior for superior resilience to rust
- Simple to use
- Control board with on-board self-diagnostics
- Internal safety switches monitor and protect the refrigeration system
- Easy maintenance - removable bin cover allows for easy access to the inner components
- Up to 73 lbs of ice production per 24 hrs
- 29 lbs of ice storage
- Ice scoop included
- 10 foot cord set with a NEMA 5-15P

*50 Hz comes without a cord set or plug



5659 Royalmount Ave.
Montreal, QC, Canada H4P 2P9
Telephone: 514.737.9701 / Toll Free: 888.275.4538
Fax: 514.342.3854 / Toll Free: 877.453.8832
sales@mvpgroupcorp.com / mvpgroupcorp.com



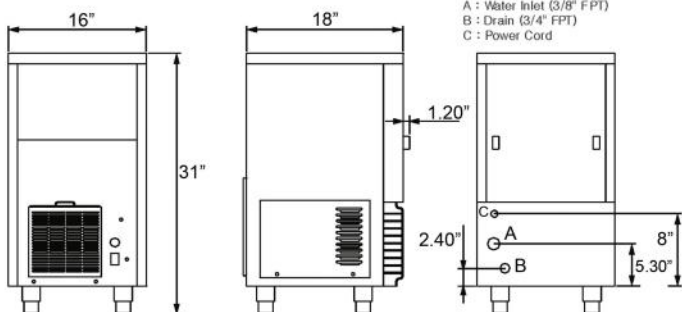
Bell/Gourmet Cube Dimension



A: 1.10"
B: 0.90"
C: 1.30"

Project Name:	
Location:	
Item:	Qty:
Model:	

12000 Biscayne Blvd., Suite # 10B
Miami, FL, United States 33181
Telephone: 786.600.4687 / Toll Free: 844.218.8477
Fax: 786.661.4100



A : Water Inlet (3/8" FPT)
 B : Drain (3/4" FPT)
 C : Power Cord



24 Hour Volume Production

Air	Water	Production 60 Hz	Production 50 Hz
70°F / 21°C	50°F / 10°C	73 lbs	63 lbs
90°F / 32°C	70°F / 21°C	57 lbs	48 lbs



Operating Requirements

	Min	Max
Air Temperatures	50°F / 10°C	100°F / 38°C
Water Temperatures	41°F / 5°C	90°F / 32°C
Water Pressure	14 PSI	80 PSI
Electrical Voltage	- 8%	+ 10%



Specifications

Model Number	Storage Capacity lb / kgs	Electrical V / Hz / Ph	BTU's per Hour	Max Fuse Size or HACR Circuit Breaker Amps	Net Weight lb / kgs	Shipping Weight lb / kgs	Refrigerant
KCU-80-AB	29 / 13	115 / 60 / 1	1600	15 A	86 / 39	97 / 44	R-134a
		230 / 50 / 1*	1400	15A	84 / 38	93 / 42	R-134a

*Unit comes without a cord set or plug. Unit to be connected per local electrical codes.

Electrical V / Hz / Ph	Energy Consumption kWh / 100 lb 90°F (32°C) / 70°F (21°C)	Water Usage / 100 lb of ice @ 90°F air / 70°F water	Plumbing
115 / 60 / 1	11.21 kWh	25 gallons / 95 litres	Water Inlet: 3/8" Drain: 3/4"
230 / 50 / 1*	11.28 kWh	25 gallons / 95 litres	Water Inlet: 3/8" Drain: 3/4"

Dimensions (W x D x H in inches)

Cabinet: 16" x 18" x 31"

Shipping: 20.50" x 24.25" x 31.50"

Clearance around the unit: left and right: 1"; top: 2"; rear: 4"

Do not place near ovens, grills or any high heat producing equipment

Warranty: 3 years parts and labor

Compressor: 5 years parts and 3 years labor

Valid in United States, Canada & Puerto Rico. Please contact factory for warranty in other countries.

Kool-It is a registered trademark of MVP Group.

Specifications and design are subject to change without prior notice



5659 Royalmount Ave.
 Montreal, QC, Canada H4P 2P9
 Telephone: 514.737.9701 / Toll Free: 888.275.4538
 Fax: 514.342.3854 / Toll Free: 877.453.8832
 sales@mpgroupcorp.com / mvpgroupcorp.com

Replace the filters every 6 months with part #KI-T-5



Intertek Intertek

12000 Biscayne Blvd., Suite # 108
 Miami, FL, United States 33181
 Telephone: 786.600.4687 / Toll Free: 844.218.8477
 Fax: 786.661.4100